

# SA8520M-10MP

4/3" 85 mm 10 MP FA Lens

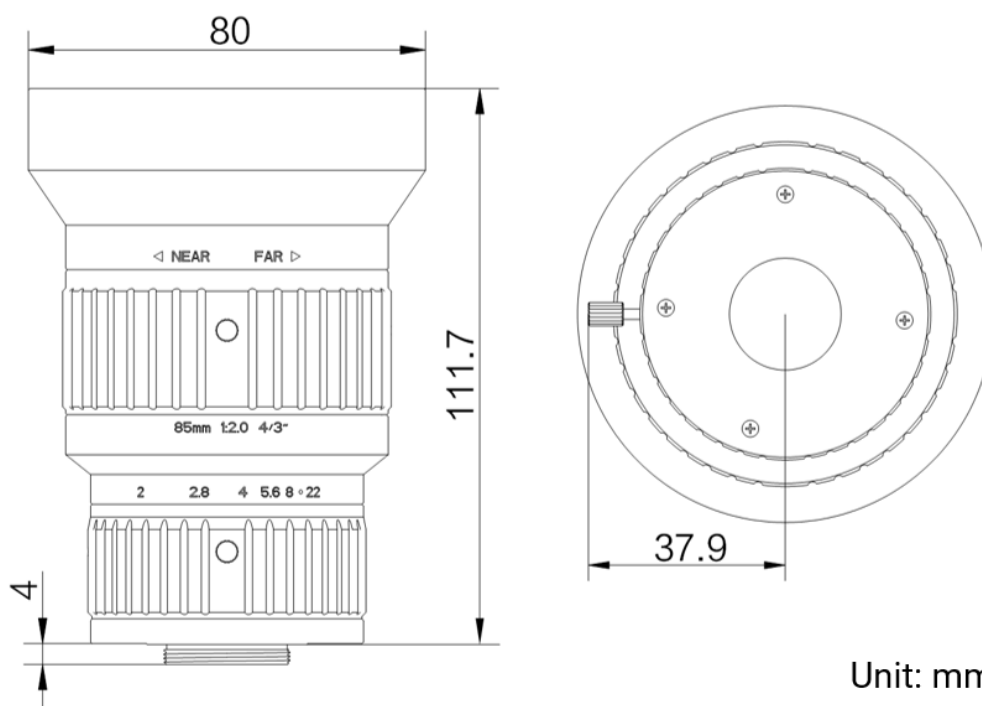
SA series FA Lens are optimized for machine vision light sources and sensors, with high resolution, excellent image uniformity, high transmittance and good stability. Featured with fixed focal length, manual aperture and compact size, it is suitable for machine vision industry application.



## Key Features

- High resolution and excellent image uniformity
- F2.0, maximum image circle of 4/3"
- Low distortion to improve measurement accuracy
- High peripheral brightness ratio to ensure image brightness consistency

## Dimension



## Specification

<b>Model</b>	<b>SA8520M-10MP</b>
<b>Performance</b>	
<b>Focal length</b>	85 mm
<b>F-number</b>	F2.0 to F22
<b>Image size</b>	Ø23 mm (4/3")
<b>Optical distortion</b>	-0.04%
<b>Minimum object distance</b>	1.2 m
<b>Field of view</b>	D (22.6 mm): 15.4° H (18.13 mm): 12.1° V (13.6 mm): 9.3°
<b>Mechanical</b>	
<b>Iris control</b>	Manual
<b>Focus control</b>	Manual
<b>Filter thread</b>	M77 × 0.75
<b>Mount</b>	C-mount
<b>Flange back length</b>	17.526 mm
<b>Dimension</b>	Ø80 mm × 111.7 mm (Ø3.1" × 4.4")
<b>Weight</b>	666 g (1.5 lb.)
<b>Temperature</b>	-10 °C to 50 °C (14 °F to 122 °F)
<b>General</b>	
<b>Certification</b>	RoHS 2.0

## Field of View

Extension (mm)	Working Distance (mm)		Magnification	Field of View (mm)					
				4/3"		1.1"		2/3"	
				H (18.13)	V (13.6)	H (14.14)	V (10.35)	H (8.45)	V (7.07)
30	near	188.41	-0.428	42.40	31.80	33.07	24.20	19.76	16.53
	far	228.25	-0.354	51.24	38.44	39.97	29.25	23.88	19.98
25	near	220.12	-0.369	49.16	36.87	38.34	28.06	22.91	19.17
	far	276.17	-0.295	61.46	46.11	47.94	35.09	28.65	23.97
20	near	263.85	-0.310	58.48	43.87	45.61	33.39	27.26	22.81
	far	347.95	-0.236	76.78	57.59	59.88	43.83	35.78	29.94
15	near	328.07	-0.251	72.18	54.15	56.30	41.21	33.64	28.15
	far	467.36	-0.177	102.24	76.70	79.74	58.37	47.65	39.87
10	near	431.56	-0.192	94.26	70.71	73.51	53.81	43.93	36.76
	far	705.32	-0.118	153.00	114.77	119.33	87.34	71.31	59.66
5	near	626.24	-0.134	135.78	101.85	105.90	77.51	63.28	52.95
	far	1412.42	-0.060	303.82	227.91	236.96	173.44	141.60	118.48
2	near	854.97	-0.098	184.57	138.45	143.95	105.37	86.02	71.97
	far	3474.55	-0.024	743.66	557.85	580.00	424.54	346.60	290.00
1	near	972.71	-0.086	209.68	157.29	163.53	119.70	97.73	81.77
	far	6726.17	-0.013	1437.21	1078.11	1120.91	820.47	669.85	560.46
0		1200	-0.074	244.67	183.36	190.66	139.48	113.85	95.25
		1250	-0.071	255.45	191.44	199.06	145.63	118.87	99.45
		1300	-0.068	266.19	199.50	207.44	151.76	123.88	103.64
		1350	-0.066	276.93	207.55	215.81	157.89	128.88	107.82
		1400	-0.063	287.64	215.58	224.16	164.00	133.87	112.00
		1450	-0.061	298.39	223.64	232.54	170.14	138.88	116.19
		1500	-0.059	309.09	231.67	240.89	176.25	143.87	120.36
		1600	-0.055	330.54	247.76	257.61	188.49	153.86	128.73
		1700	-0.052	351.96	263.83	274.32	200.72	163.85	137.08
		1800	-0.049	373.37	279.88	291.02	212.94	173.83	145.43
		1900	-0.046	394.77	295.93	307.70	225.15	183.80	153.77
		2000	-0.044	416.15	311.98	324.38	237.36	193.77	162.11