

SA1620M-10MP

4/3" 16 mm 10 MP FA Lens

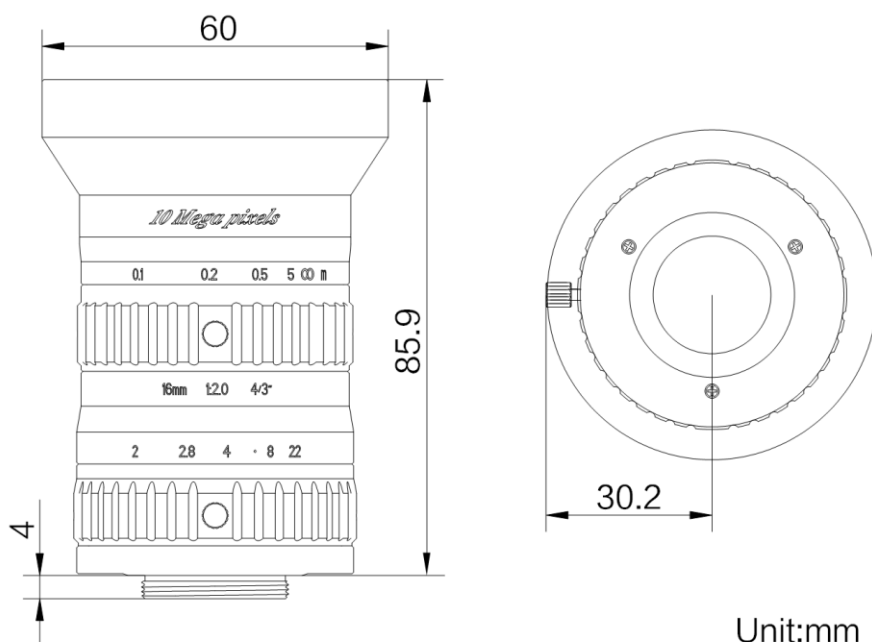
SA series FA Lens are optimized for machine vision light sources and sensors, with high resolution, excellent image uniformity, high transmittance and good stability. Featured with fixed focal length, manual aperture and compact size, it is suitable for machine vision industry application.



Key Features

- High resolution and excellent image uniformity
- F2.0, maximum image circle of 4/3"
- Low distortion to improve measurement accuracy
- High peripheral brightness ratio to ensure image brightness consistency

Dimension



Specification

Model	SA1620M-10MP
Performance	
Focal length	16 mm
F-number	F2.0 to F22
Image size	Ø23 mm (4/3")
Optical distortion	-2.81%
Minimum object distance	0.1 m
Field of view	D (22.6 mm): 72.9° H (18.13 mm): 60.9° V (13.6 mm): 47.3°
Mechanical	
Iris control	Manual
Focus control	Manual
Filter thread	M58 × 0.75
Mount	C-mount
Flange back length	17.526 mm
Dimension	Ø60 mm × 85.9 mm (Ø2.4" × 3.4")
Weight	340 g (0.8 lb.)
Temperature	-10 °C to 50 °C (14 °F to 122 °F)
General	
Certification	RoHS 2.0

Field of View

Extension (mm)	Working Distance (mm)		Magnification	Field of View (mm)					
				4/3"		1.1"		2/3"	
				H (18.13)	V (13.60)	H (14.14)	V (10.35)	H (8.45)	V (7.07)
5	near	13.17	-0.445	40.79	30.60	31.81	23.28	19.01	15.91
	far	27.66	-0.313	57.99	43.50	45.22	33.10	27.03	22.61
2	near	39.43	-0.257	70.54	52.92	55.02	40.27	32.88	27.51
	far	104.33	-0.125	144.85	108.66	112.98	82.69	67.51	56.49
1	near	59.43	-0.195	93.21	69.92	72.70	53.21	43.44	36.35
	far	231.84	-0.063	289.34	217.04	225.66	165.18	134.85	112.83
0		100	-0.128	147.23	108.66	113.17	81.90	66.56	55.53
		150	-0.092	205.40	151.92	158.20	114.63	93.19	77.77
		200	-0.071	263.46	195.12	203.17	147.31	119.80	99.99
		250	-0.058	321.48	238.30	248.10	179.98	146.39	122.19
		300	-0.049	379.46	281.45	293.01	212.64	172.97	144.39
		350	-0.043	437.43	324.60	337.91	245.29	199.55	166.59
		400	-0.038	495.39	367.74	382.81	277.93	226.12	188.78
		450	-0.034	553.34	410.88	427.70	310.57	252.69	210.97
		500	-0.031	611.28	454.01	472.59	343.21	279.26	233.16
		550	-0.028	669.23	497.14	517.48	379.85	305.83	255.34
		600	-0.026	727.17	540.27	562.36	408.49	332.40	277.53
		650	-0.024	785.10	583.40	607.25	441.13	358.96	299.72
		700	-0.022	843.04	626.52	652.13	473.62	385.53	321.90
		750	-0.021	900.97	669.65	697.01	506.40	412.10	344.09
		800	-0.019	958.90	712.77	741.89	539.03	438.66	366.28
		850	-0.018	1016.83	755.90	786.57	571.67	465.23	388.46
	900	-0.017	1074.76	799.02	831.65	604.30	491.79	410.65	
	950	-0.016	1132.69	842.14	876.53	636.94	518.36	432.83	
	1000	-0.016	1190.62	885.27	921.41	669.57	544.92	455.02	