

MVL-LF8040M-F

Large Format (Ø56mm) 80mm Focal Length FA LENS

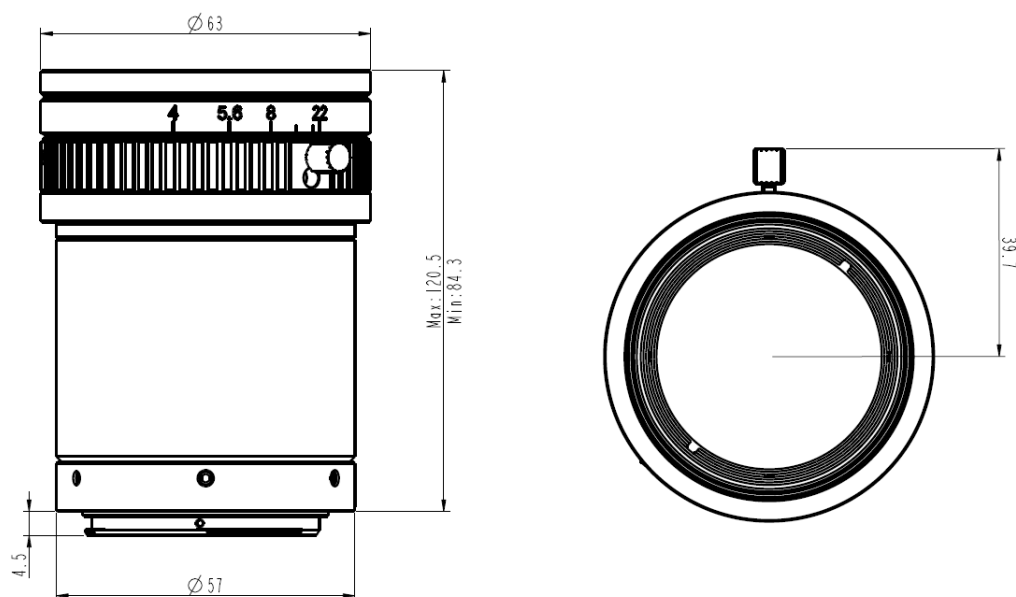
LF series large format FA Lens are optimized for machine vision light sources and sensors, with excellent imaging quality and high image uniformity, magnification range from 0.04x to 0.4x. It is suitable for high resolution machine vision industry applications.



Key Features

- Ultra high central image clarity, up to 3.1µm resolution
- Low distortion and high relative illumination
- Image size Ø56 mm, supporting large target area scan cameras, 8K 5µm, 8K 7µm, 16K 3.5µm line scan cameras
- Optimize optical design for different magnification

Dimension



Unit: mm

Specification

Parameter	Model	MVL-LF8040M-F
		Fixed focal length, Manual iris, Large format lens
Performance		
Focal length		80 mm
F-number		F4.0 to F22
Image size		Ø56 mm
Optical distortion		0.12%
Magnification range		0.4x to 0.01x
Working distance range		235 mm to inf mm
Mechanical		
Iris control		Manual
Focus control		Manual
Filter thread		M52 × 0.75
Mount		F-mount
Flange back length		46.5 mm
Dimension		Ø63 mm × 120.5 mm (Ø2.48" × 44.74")
Weight		601.0 g (1.32 lb.)
Temperature		-10 °C to 50 °C (14 °F to 122 °F)
General		
Certification		RoHS 2.0

Field of View

Working Distance (mm)	Magnification	Field of View (mm)					
		H(23mm)	V(23mm)	H(36.17mm)	V(24.11mm)	H(8K 5μm)	H(8K 7μm 16K 3.5μm)
235	-0.400	57.60	57.60	90.42	60.28	102.40	143.36
250	-0.372	61.96	61.96	97.26	64.84	110.15	154.15
300	-0.300	76.80	76.80	120.56	80.37	136.53	191.15
350	-0.252	91.44	91.44	143.54	95.70	162.56	227.56
400	-0.217	106.18	106.18	166.68	111.12	188.77	264.26
450	-0.191	120.92	120.92	189.82	126.55	214.97	300.23
500	-0.170	135.69	135.69	213.00	142.00	241.23	337.32
550	-0.153	150.41	150.41	236.11	157.40	267.39	374.80
600	-0.140	165.16	165.16	259.27	172.85	293.62	409.60
700	-0.118	194.63	194.63	305.53	203.69	346.01	485.97
800	-0.103	224.13	224.13	351.83	234.55	398.44	556.74
900	-0.091	253.61	253.61	398.11	265.41	450.85	630.15
1000	-0.081	283.08	283.08	444.38	296.25	503.26	707.95
1100	-0.074	312.58	312.58	490.68	327.12	555.69	774.92
1200	-0.067	342.04	342.04	536.94	357.96	608.08	855.88
1300	-0.062	371.53	371.53	583.22	388.82	660.50	924.90
1400	-0.057	401.00	401.00	629.49	419.66	712.89	1006.04
1500	-0.054	430.49	430.49	675.79	450.52	765.32	1061.93

HIKROBOT

Hangzhou Hikrobot Co. Ltd.
en.hikrobotics.com

© Hangzhou Hikrobot Co., Ltd. All Rights Reserved.

Hangzhou Hikrobot does not tolerate any infringement. Any organization or individual may not imitate or reproduce in whole or in part of the content. The data herein is based on Hikrobot's internal evaluation. Actual data may vary depending on specific configuration and operating condition. The information herein is subject to change without notice. All the content has been checked conscientiously. Nevertheless, Hikrobot shall not be liable to damages resulting from errors, inconsistencies or omissions.