

MVL-LF8036M-M58-65MP

Ø46 mm 80 mm Focal Length FA Lens

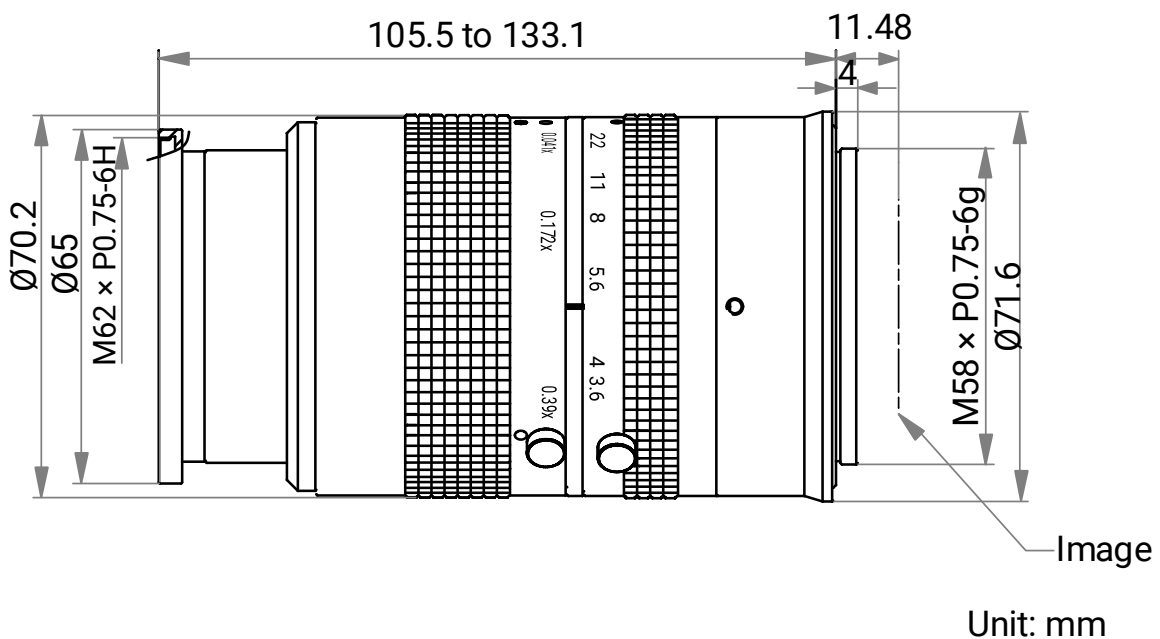
LF series large format FA lenses are optimized for machine vision with excellent image quality and high image uniformity. It is suitable for high-resolution machine vision industry applications.



Key Features

- Adopts high-precision lens for 65MP area scan cameras.
- Provides excellent consistency of image clarity and low distortion.
- Provides max. image size Ø46 mm.

Dimension



Specification

Model	MVL-LF8036M-M58-65MP
Performance	
Focal length	80 mm
F-number	F3.6 to F22
Image size	Ø46 mm
Optical distortion	0.05%
Magnification range	0.041x to 0.39x
Working distance range	235 mm to 2000 mm (tolerance: ±5 mm)
Mechanical	
Iris control	Manual
Focus control	Manual
Filter thread	M62 × P0.75
Mount	M58 × P0.75
Flange back length	11.48 mm
Dimension	Ø71.6 mm × 105.5 mm to 133.1 mm (Ø2.8" × 4.2" to 5.2")
Weight	827.1 g (1.8 lb.)
Temperature	-10 °C to 50 °C (14 °F to 122 °F)
General	
Certification	RoHS 2.0

Field of View

Working Distance (mm)	Magnification	Object Image Distance (mm)	Field of View H (29.9 mm)	Field of View V (22.4 mm)
235	0.392	376.50	76.3	57.1
250	0.365	389.30	81.9	61.3
300	0.298	434.30	100.3	75.1
350	0.252	480.60	118.8	89.0
400	0.218	528.10	137.1	102.7
450	0.192	576.10	155.6	116.6
500	0.172	624.60	173.9	130.3
550	0.155	673.30	192.3	144.1
600	0.142	722.30	210.6	157.8
650	0.131	771.30	229.0	171.6
700	0.121	820.60	247.2	185.2
750	0.113	870.00	265.7	199.0
800	0.105	919.40	283.9	212.7
850	0.099	968.90	302.3	226.5
900	0.093	1018.50	320.5	240.1
950	0.088	1068.00	338.9	253.9
1000	0.084	1117.73	357.2	267.6
1100	0.076	1217.10	393.8	295.0
1200	0.069	1316.60	430.4	322.5
1300	0.064	1416.20	467.0	349.9
1400	0.059	1515.80	503.6	377.3
1500	0.055	1615.50	540.2	404.7

HIKROBOT

Hangzhou Hikrobot Co. Ltd.
en.hikrobotics.com

© Hangzhou Hikrobot Co., Ltd. All Rights Reserved.

Hangzhou Hikrobot does not tolerate any infringement. Any organization or individual may not imitate or reproduce in whole or in part of the content. The data herein is based on Hikrobot's internal evaluation. Actual data may vary depending on specific configuration and operating condition. The information herein is subject to change without notice. All the content has been checked conscientiously. Nevertheless, Hikrobot shall not be liable to damages resulting from errors, inconsistencies or omissions.