

MVL-LF6040M-0168V-M72

Large Format $\Phi 60$ mm 60mm Focal Length FA Lens

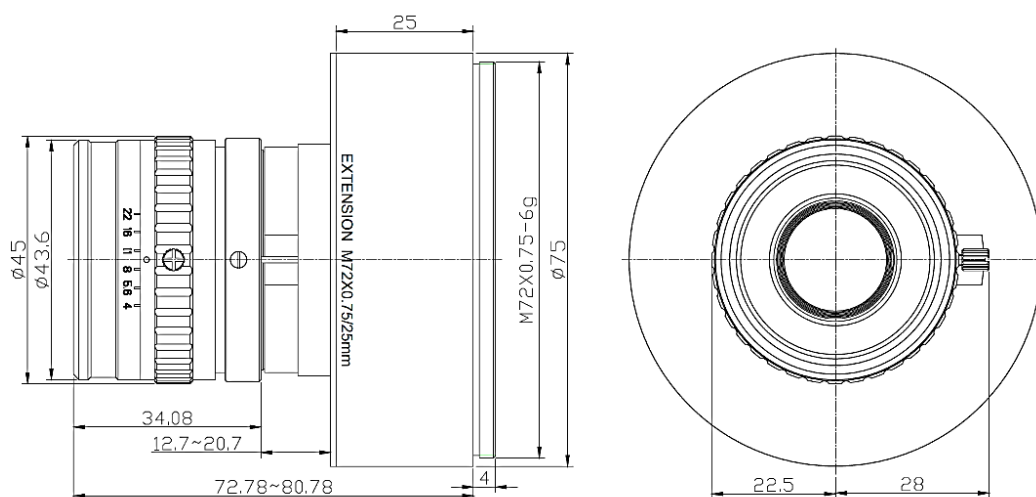
Designed for the machine vision industry, the high-resolution large-target fixed focus lens has excellent imaging quality and high picture consistency, which can meet the needs of high resolution machine vision industry applications.



Key Features

- Adopts high-precision lens for 8k 7 μ m line scan cameras.
- Provides excellent picture sharpness consistency, large aperture, and low distortion.
- Provides superior resolution at maximum aperture of F4.
- Provides maximum image size $\Phi 60$ mm.

Dimension



Unit: mm

Specification

Model	MVL-LF6040M-0168V-M72
Performance	
Focal length	60 mm
F-number	F4.0 to F22
Image size	Φ60 mm
Optical distortion	0.14%
Magnification range	0.067 x to 0.2 x
Working distance range	945 mm to 345 mm (tolerance: ±5 mm)
Conjugate distance range	1020 mm to 430 mm (tolerance: ±9 mm)
Mechanical	
Iris control	Manual
Focus control	Manual
Filter thread	M39 × P0.5
Mount	M72 × P0.75
Flange back length	12 mm
Dimension	Φ75 mm × 72.8 mm to 80.8 mm (Φ3" × 2.9" to 3.2")
Temperature	-10 °C to 50°C (14 °F to 122 °F)
General	
Certification	RoHS 2.0

Field of View

Working Distance (mm)	Magnification	Object Image Distance (mm)	Field of View H (8k 7 μm)
345	-0.199	427	289.2
350	-0.195	432	294.0
400	-0.168	480	342.2
450	-0.147	529	390.4
500	-0.131	578	438.6
550	-0.118	627	486.8
600	-0.107	677	534.9
650	-0.098	726	583.1
700	-0.091	776	631.2
750	-0.084	825	679.5
800	-0.079	875	761.1
850	-0.074	925	727.6
900	-0.069	974	823.9
920	-0.068	994	843.2

HIKROBOT

Hangzhou Hikrobot Co. Ltd.
en.hikrobotics.com

© Hangzhou Hikrobot Co., Ltd. All Rights Reserved.

Hangzhou Hikrobot does not tolerate any infringement. Any organization or individual may not imitate or reproduce in whole or in part of the content. The data herein is based on Hikrobot's internal evaluation. Actual data may vary depending on specific configuration and operating condition. The information herein is subject to change without notice All the content has been checked conscientiously. Nevertheless, Hikrobot shall not be liable to damages resulting from errors, inconsistencies or omissions.