

# MVL-LF6040M-013-M72

## Large Format Ø58mm 60mm Focal Length FA Lens

Designed for the machine vision industry, the high-resolution large-target fixed focus lens has excellent imaging quality and high picture consistency, which can meet the needs of high resolution machine vision industry applications.

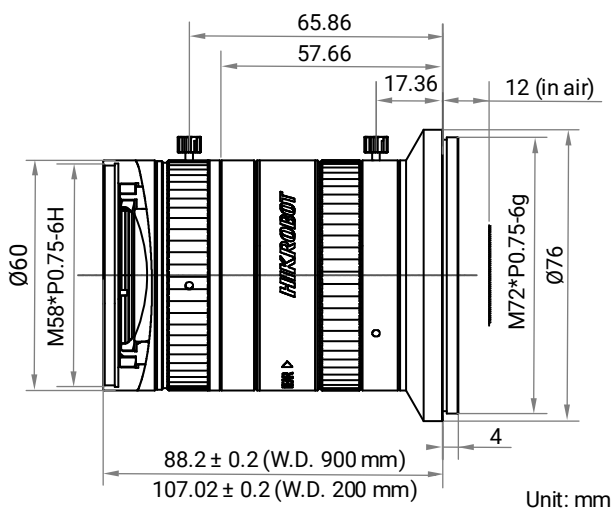


### Key Features

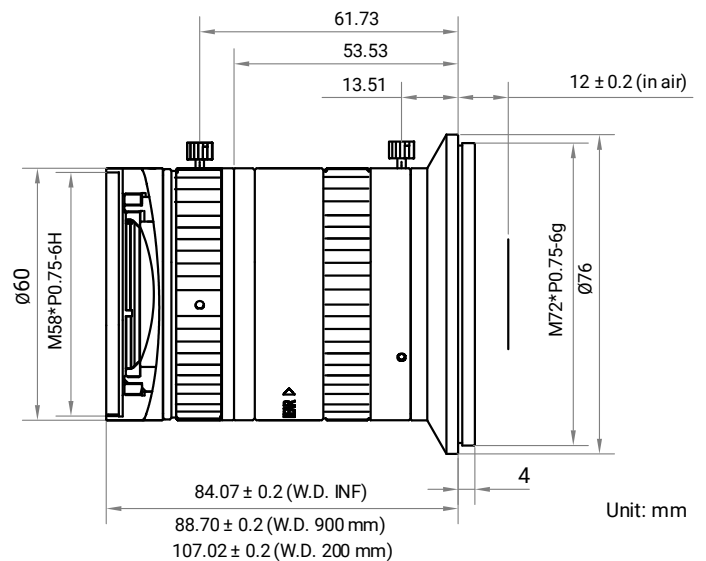
- Adopts high-precision lens for 8k 7 μm line scan cameras.
- Provides excellent picture sharpness consistency, low distortion.
- Provides superior resolution at maximum aperture of F4.
- Provides maximum image size Ø58 mm.

### Dimension

MVL-LF6040M-013-M72



MVL-LF6040M-013-M72 V2.0



## Specification

Model	MVL-LF6040M-013-M72	MVL-LF6040M-013-M72 V2.0
<b>Performance</b>		
Focal length	60 mm	
F-number	F4.0 to F22	
Image size	Ø58 mm	
Optical distortion	-0.45%	
Magnification range	0.07x to 0.37x	0.001x to 0.37x
Working distance range	200 mm to 900 mm (tolerance: ±5 mm)	200 mm to inf (tolerance: ±5 mm)
Conjugate distance range	308 mm to 990 mm (tolerance: ±9 mm)	308 mm to inf (tolerance: ±9 mm)
<b>Mechanical</b>		
Iris control	Manual	
Focus control	Manual	
Filter thread	M58 × P0.75	
Mount	M72 × P0.75	
Flange back length	12 mm	
Dimension	Ø76 mm × 88.2 mm to 107.0 mm (Ø3.0" × 3.5" to 4.2")	Ø76 mm × 84.1 mm to 107.0 mm (Ø3.0" × 3.3" to 4.2")
Weight	484 g (1.1 lb.)	
Temperature	-10 °C to 50 °C (14 °F to 122 °F)	
<b>General</b>		
Certification	RoHS 2.0	

## Field of View

Working Distance (mm)	Magnification	Object Image Distance (mm)	Field of View H (8k 7 μm)
200	-0.368	308	157.1
250	-0.282	353	205.2
300	-0.228	400	253.2
350	-0.192	447	301.2
400	-0.165	496	349.3
450	-0.145	545	397.3
500	-0.130	594	445.3
550	-0.117	643	493.3
600	-0.107	692	541.3
650	-0.098	742	589.3
700	-0.091	791	637.3
750	-0.084	841	685.3
800	-0.079	891	733.3
850	-0.074	940	781.3
900	-0.070	990	829.3