

# MVL-LF3540M-M58-65MP

Ø42 mm 35 mm Focal Length FA Lens

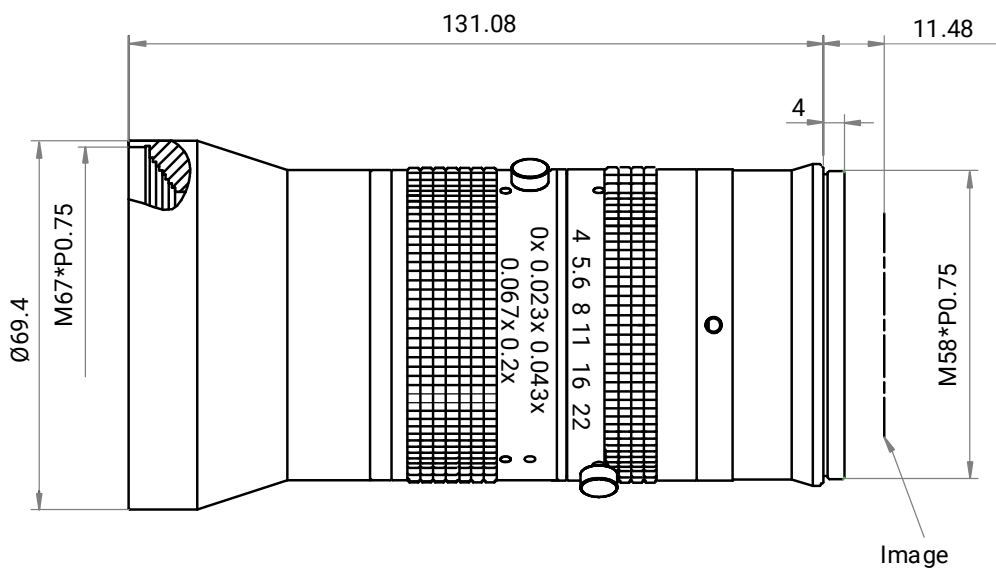
LF series large format FA lenses are optimized for machine vision with excellent image quality and high image uniformity. It is suitable for high-resolution machine vision industry applications.



## Key Features

- Adopts high-precision lens for 65MP area scan cameras.
- Provides excellent consistency of image clarity and low distortion.
- Provides max. image size Ø42 mm.

## Dimension



Unit: mm

## Specification

<b>Model</b>	<b>MVL-LF3540M-M58-65MP</b>
<b>Performance</b>	
<b>Focal length</b>	35 mm
<b>F-number</b>	F4.0 to F22
<b>Image size</b>	Ø42 mm
<b>Optical distortion</b>	0.5%
<b>Magnification range</b>	0.001x to 0.2x
<b>Working distance range</b>	150 mm to inf mm (tolerance: ±5 mm)
<b>Mechanical</b>	
<b>Iris control</b>	Manual
<b>Focus control</b>	Manual
<b>Filter thread</b>	M67 × P0.75
<b>Mount</b>	M58 × P0.75
<b>Flange back length</b>	11.48 mm
<b>Dimension</b>	Ø69.4 mm × 131.1 mm (Ø2.7" × 5.2")
<b>Weight</b>	760.84g (1.7 lb.)
<b>Temperature</b>	-10 °C to 50 °C (14 °F to 122 °F)
<b>General</b>	
<b>Certification</b>	RoHS 2.0

## Field of View

Working Distance (mm)	Magnification	Object Image Distance (mm)	Field of View H (29.9 mm)	Field of View V (22.4 mm)
150	0.204	287.65	146.7	109.9
200	0.158	336.50	188.7	141.4
250	0.130	385.77	230.6	172.8
300	0.110	435.27	272.5	204.1
350	0.095	484.90	314.3	235.5
400	0.084	534.61	356.1	266.8
450	0.075	584.39	397.8	298.0
500	0.068	634.204	439.6	329.3
550	0.0621	684.06	481.3	360.6
600	0.057	733.93	523.1	391.9
650	0.053	783.83	564.7	423.1
700	0.049	833.73	606.5	454.4
750	0.046	883.66	648.1	485.6
800	0.043	933.57	689.2	516.3
850	0.041	985.52	731.5	548.0
900	0.039	1033.464	773.3	579.3
950	0.037	1083.47	814.9	610.5
1000	0.035	1133.361	856.7	641.8
1100	0.032	1233.29	940.0	704.2
1200	0.029	1333.23	1023.4	766.7
1300	0.027	1433.17	1106.8	829.2
1400	0.025	1533.12	1190.1	891.6
1500	0.023	1633.08	1273.5	954.1

**HIKROBOT**

Hangzhou Hikrobot Co. Ltd.  
en.hikrobotics.com

© Hangzhou Hikrobot Co., Ltd. All Rights Reserved.

Hangzhou Hikrobot does not tolerate any infringement. Any organization or individual may not imitate or reproduce in whole or in part of the content. The data herein is based on Hikrobot's internal evaluation. Actual data may vary depending on specific configuration and operating condition. The information herein is subject to change without notice. All the content has been checked conscientiously. Nevertheless, Hikrobot shall not be liable to damages resulting from errors, inconsistencies or omissions.