

MVL-LF3040M-005-M72

Large Format $\Phi 58$ mm 30 mm Focal Length FA Lens

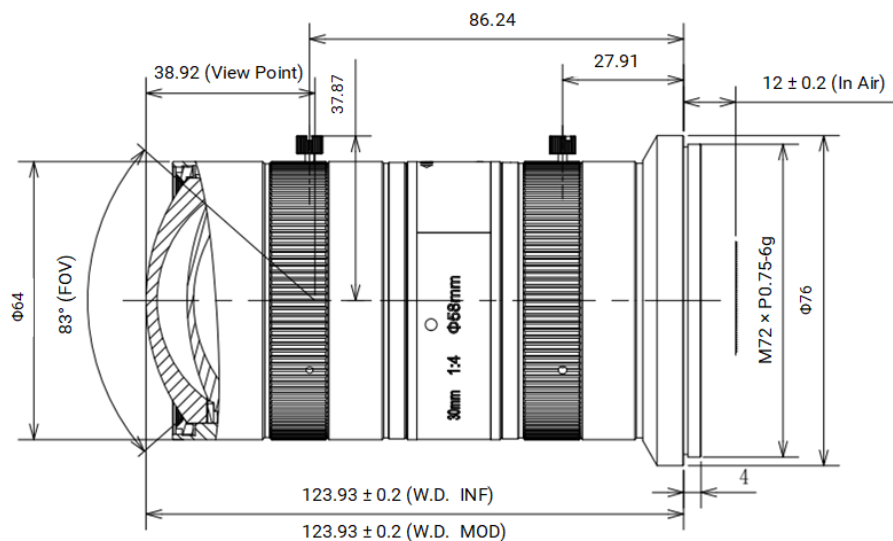
LF series large format FA lenses are optimized for machine vision with excellent image quality and high image uniformity. It is suitable for high resolution machine vision industry applications.



Key Feature

- Adopts high-precision lens for 8k 7 μ m line scan cameras.
- Provides excellent consistency of image clarity with high resolution.
- Provides ultra-high image resolution at the maximum iris of F4.0.
- Provides maximum image size $\Phi 58$ mm.

Dimension



Unit: mm

Specification

Model	MVL-LF3040M-005-M72
Performance	
Focal length	30 mm
F-number	F4.0 to F16
Image size	Φ58 mm
Optical distortion	-0.84%
Magnification range	0.145 x to 0.031 x
Working distance range	205 mm to 1000 mm (tolerance: ± 5 mm)
Conjugate distance range	345 mm to 1137 mm (tolerance: ± 9 mm)
Mechanical	
Iris control	Manual
Focus control	Manual
Mount	M72 × P0.75
Flange back length	12 mm
Dimension	Φ76 mm × 123.93 mm (Φ3.0" × 4.9")
Weight	797 g (1.8 lb.)
Temperature	-10 °C to 50 °C (14 °F to 122 °F)
General	
Certification	RoHS 2.0

Field of View

Working Distance (mm)	Magnification	Object Image Distance (mm)	Field of View H (8k 7 μm)
250	-0.119	387	484.8
300	-0.100	437	575.5
350	-0.087	487	666.1
400	-0.076	537	756.7
450	-0.068	587	847.3
500	-0.062	637	937.8
550	-0.056	687	1028.3
600	-0.052	737	1118.7
650	-0.048	787	1209.2
700	-0.044	837	1299.7
750	-0.042	887	1390.1
800	-0.039	937	1480.6
850	-0.037	987	1571.0
900	-0.035	1037	1661.5
950	-0.033	1087	1751.9
1000	-0.031	1137	1842.3

HIKROBOT

Hangzhou Hikrobot Co., Ltd.
en.hikrobotics.com

© Hangzhou Hikrobot Co., Ltd. All Rights Reserved.

Hangzhou Hikrobot does not tolerate any infringement. Any organization or individual may not imitate or reproduce in whole or in part of the content. The data herein is based on Hikrobot's internal evaluation. Actual data may vary depending on specific configuration and operating condition. The information herein is subject to change without notice. All the content has been checked conscientiously. Nevertheless, Hikrobot shall not be liable to damages resulting from errors, inconsistencies or omissions.