

MVL-KF7528M-12MP

1" 75 mm 12MP FA Lens

KF series FA Lens are optimized for machine vision light sources and sensors, with high resolution, excellent image uniformity, high transmittance and good stability. With fixed focal length, manual aperture, and compact size, it is suitable for machine vision industry applications.



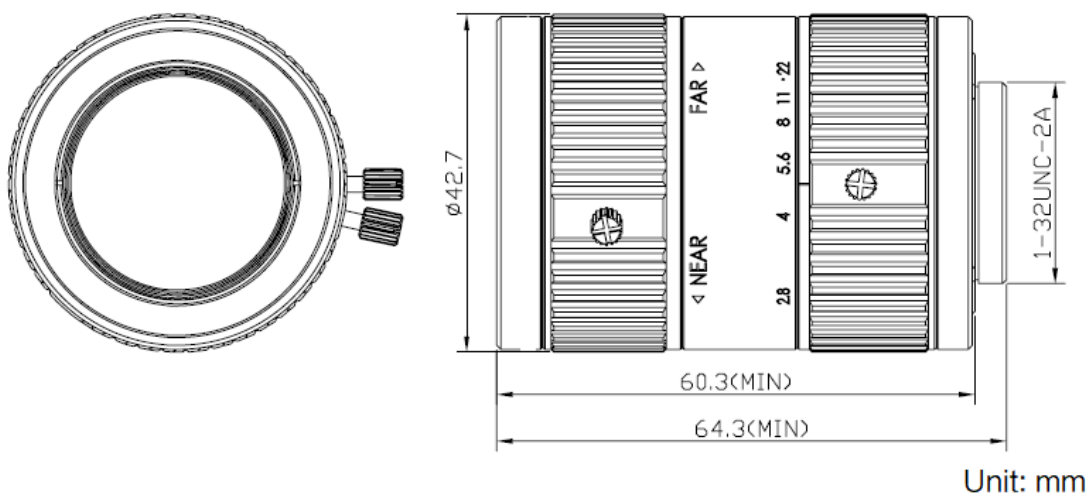
Key Features

- Provides high resolution and consistency of image clarity.
- Provides low distortion and high peripheral brightness ratio.
- Provides maximum image size $\Phi 16\text{mm}$.
- Maintains excellent optical characteristics at different object distances

Specification

Model	MVL-KF7528M-12MP
Performance	
Focal length	75 mm
F-number	F2.8 to F22
Image size	Ø16 mm (1")
Optical distortion	0.75%
Minimum object distance	0.5 m
Field of View	D (15.86 mm): 12.2° H (12.45 mm): 9.8° V (9.83 mm): 7.3°
Mechanical	
Iris control	Manual
Focus control	Manual
Filter thread	M39 × 0.5
Mount	C-mount
Flange back length	17.526 mm
Dimension	Ø42 mm × 60.3 mm (Ø1.7" × 2.4")
Weight	187 g (0.4 lb.)
Temperature	-10 °C to 50 °C (14 °F to 122 °F)
General	
Certification	RoHS 2.0

Dimension



Field of View

Ring Thickness (mm)	Working Distance (mm)	Magnification	Field of View H (14.6 mm)	Field of View V (12.63 mm)	Field of View H (14.14 mm)	Field of View V (10.35 mm)	Field of View H (8.45 mm)	Field of View V (7.07 mm)
5 (near)	400	-0.234	62.0	53.7	60.1	44.1	36.0	30.2
5 (far)	1193	-0.067	216.3	187.3	209.6	153.7	125.6	105.1
2 (near)	450	-0.202	71.8	62.2	69.5	51.0	41.7	34.9
2 (far)	2868	-0.027	542.0	469.5	525.1	385.2	314.8	263.5
1 (near)	470	-0.191	75.6	65.5	73.3	53.8	44.0	36.8
1 (far)	5660	-0.013	1065.3	922.9	1032.1	757.4	618.9	518.2
0	500	-0.178	81.5	70.6	78.9	57.9	47.4	39.7
0	550	-0.159	91.2	79.0	88.4	64.9	53.0	44.4
0	600	-0.144	100.9	87.4	97.8	71.8	58.7	49.1
0	650	-0.131	110.6	95.9	107.2	78.7	64.3	53.8
0	700	-0.121	120.4	104.3	116.6	85.6	70.0	58.6
0	800	-0.104	139.8	121.1	135.5	99.4	81.2	68.0
0	900	-0.091	159.2	138.0	154.3	113.2	92.5	77.5
0	1000	-0.081	178.7	154.8	173.1	127.1	103.8	86.9

HIKROBOT

Hangzhou Hikrobot Co. Ltd.
en.hikrobotics.com

© Hangzhou Hikrobot Co., Ltd. All Rights Reserved.

Hangzhou Hikrobot does not tolerate any infringement. Any organization or individual may not imitate or reproduce in whole or in part of the content. The data herein is based on Hikrobot's internal evaluation. Actual data may vary depending on specific configuration and operating condition. The information herein is subject to change without notice. All the content has been checked conscientiously. Nevertheless, Hikrobot shall not be liable to damages resulting from errors, inconsistencies or omissions.