

MVL-KF3540-25MP

1.2" 35mm 25MP FA LENS

KF-P anti vibration series FA Lens are optimized for machine vision light sources and sensors, with high resolution, excellent image uniformity and good stability. Featured with fixed focal length, fixed iris and compact size, it is suitable for machine vision industry applications.



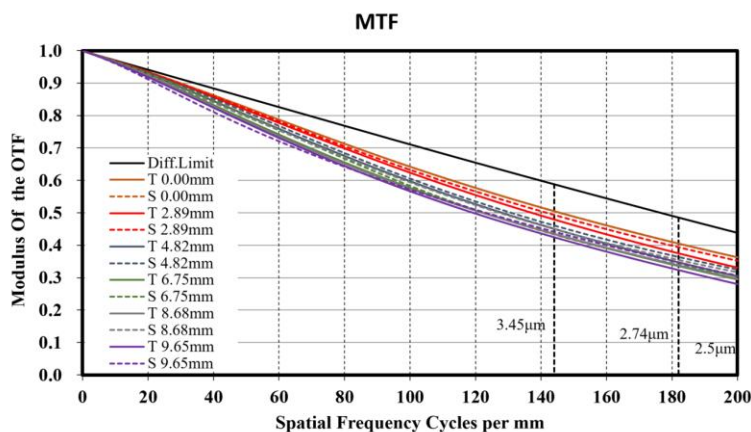
Key Features

- Ultra high resolution, high consistency in image center and edge clarity
- 1.2" large image circle, F4 fixed iris, structurally stable
- Ultra low distortion, high peripheral brightness ratio
- Maintain excellent optical properties at different object distances
- Excellent resistance to vibration, impact, and high and low temperature stability

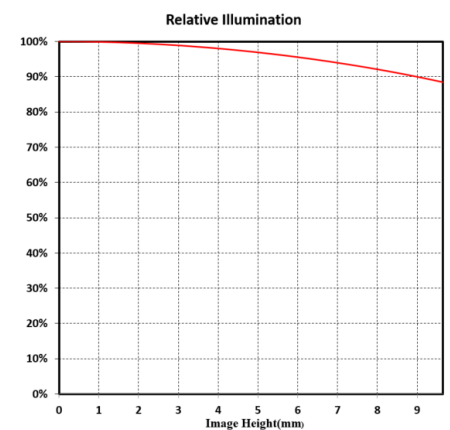
Distortion



MTF



Relative Illumination

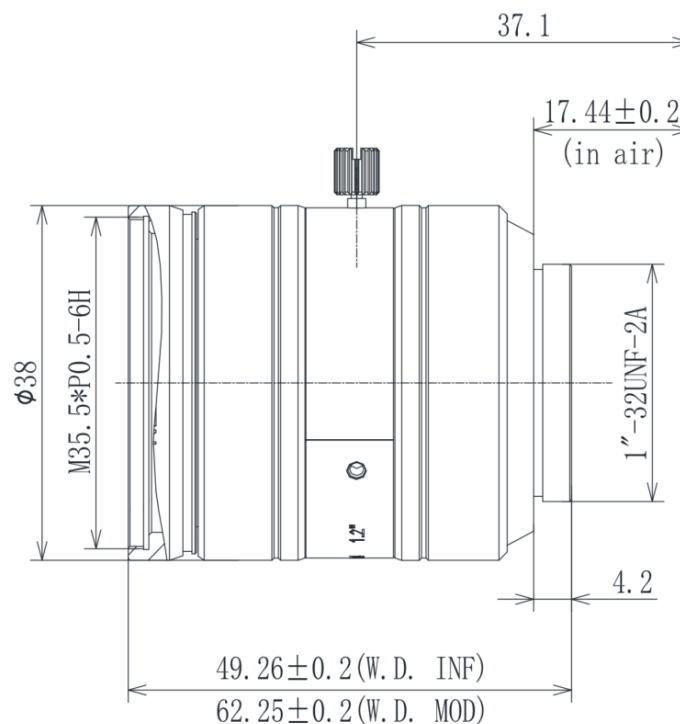


Note: The above curves are the simulate results based on F4, $\beta=-0.079$, WD=300 mm

Specification

Model	MVL-KF3540-25MP
Parameter	Fixed focal length, Fixed iris, 25MP, FA Lens
Performance	
Focal length	35 mm
F-number	F4.0
Image size	Ø19.3 mm (1.2")
Distortion	-0.03%
Minimum object distance	0.12 m
Field of view	D (19.3 mm): 29.3° H (14.6 mm): 22.4° V (12.63 mm): 19.5°
Mechanical	
Iris control	Fixed
Focus control	Manual
Filter thread	M35.5 × P0.5
Mount	C-mount
Flange back length	17.526 mm
Dimension	Ø38mm × 45.06 mm to 58.05 mm (Ø1.5" × 1.77" to 2.29")
Weight	135.5 g (0.299 lb.)
Temperature	-10 °C to 50 °C (14 °F to 122 °F)
General	
Certification	RoHS 2.0

Dimension



Unit: mm

Field of View

Extension (mm)	Working Distance (mm)		Magnification	Field of View (mm)					
				1.2"		1.1"		1"	
				H (14.6mm)	V (12.63mm)	H (14.14mm)	V (10.35mm)	H (13.31mm)	V (8.76mm)
15	near	57	-0.730	20.2	17.4	19.6	14.3	17.2	13.5
	far	85	-0.438	33.7	29.1	32.6	23.8	28.7	22.6
10	near	69	-0.595	24.7	21.3	23.9	17.4	21.0	16.6
	far	124	-0.292	50.5	43.6	48.9	35.6	42.9	33.8
5	near	87	-0.461	31.8	27.5	30.8	22.5	27.1	21.4
	far	242	-0.146	100.5	86.8	97.3	71.0	85.6	67.5
2	near	104	-0.381	38.4	33.2	37.2	27.2	32.8	25.9
	far	594	-0.058	250.3	216.5	242.4	177.3	213.4	168.4
1	near	111	-0.354	41.3	35.7	40.0	29.3	35.2	27.8
	far	1181	-0.029	499.9	432.4	484.1	354.2	426.2	336.4
0		120	-0.327	44.6	38.6	43.2	31.7	38.1	30.1
		150	-0.254	57.4	49.7	55.6	40.7	49.0	38.7
		200	-0.186	78.7	68.1	76.2	55.8	67.1	53.0
		250	-0.146	99.9	86.5	96.8	70.9	85.2	67.3
		300	-0.120	121.2	104.8	117.4	85.9	103.4	81.6
		350	-0.103	142.4	123.2	138.0	101.0	121.5	95.9
		400	-0.089	163.7	141.6	158.5	116.1	139.6	110.2
		450	-0.079	184.9	160.0	179.1	131.1	157.7	124.6
		500	-0.071	206.2	178.4	199.7	146.2	175.9	138.9
		550	-0.064	227.4	196.8	220.3	161.3	194.0	153.2
		600	-0.059	248.7	215.2	240.9	176.4	212.1	167.5
		650	-0.054	269.9	233.6	261.4	191.4	230.2	181.8
		700	-0.050	291.2	251.9	282.0	206.5	248.4	196.1
		800	-0.044	333.7	288.7	323.2	236.6	284.6	224.7
	900	-0.039	376.2	325.5	364.3	266.8	320.9	253.4	

HIKROBOT

Hangzhou Hikrobot Co. Ltd.
en.hikrobotics.com

© Hangzhou Hikrobot Co., Ltd. All Rights Reserved.

Hangzhou Hikrobot does not tolerate any infringement. Any organization or individual may not imitate or reproduce in whole or in part of the content. The data herein is based on Hikrobot's internal evaluation. Actual data may vary depending on specific configuration and operating condition. The information herein is subject to change without notice. All the content has been checked conscientiously. Nevertheless, Hikrobot shall not be liable to damages resulting from errors, inconsistencies or omissions.