

# MVL-KF2540-25MP

## 1.2" 25mm 25MP FA LENS

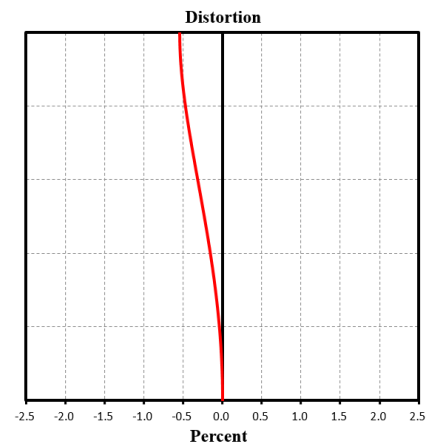
KF-P anti vibration series FA Lens are optimized for machine vision light sources and sensors, with high resolution, excellent image uniformity and good stability. Featured with fixed focal length, fixed iris and compact size, it is suitable for machine vision industry applications.



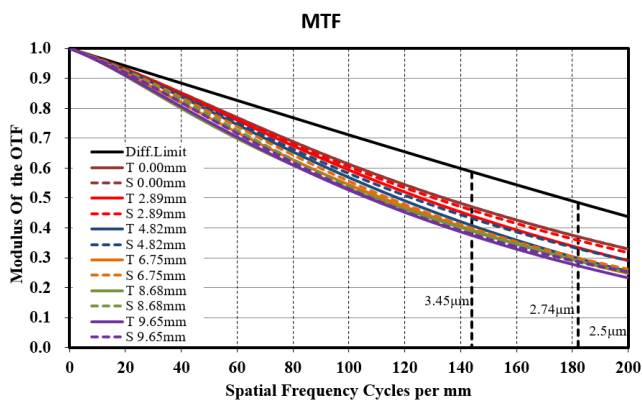
### Key Features

- Ultra high resolution, high consistency in image center and edge clarity
- 1.2" large target surface, F4 fixed iris, structurally stable
- Ultra low distortion, high peripheral brightness ratio
- Maintain excellent optical properties at different object distances
- Excellent resistance to vibration, impact, and high and low temperature stability

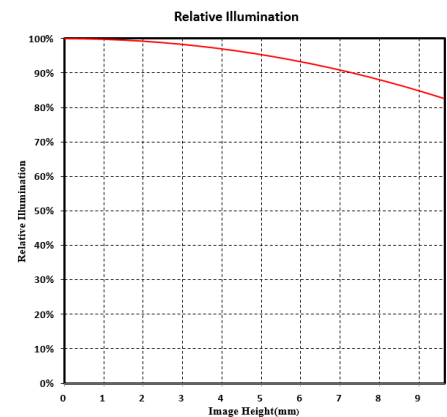
### Distortion



### MTF



### Relative Illumination

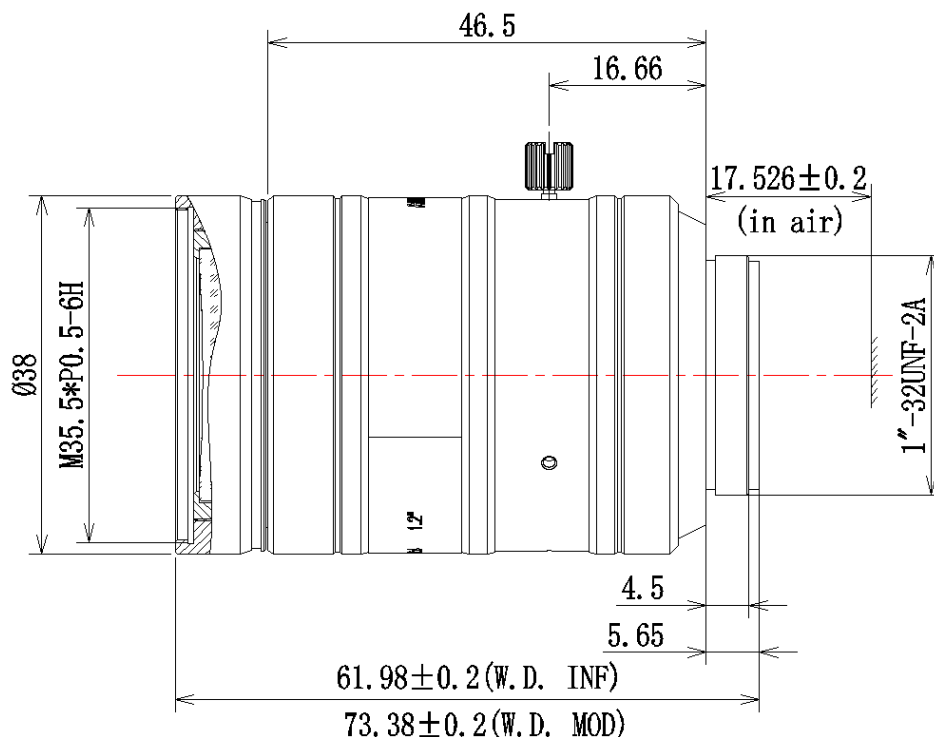


Note: The above curves are the simulate results based on F4,  $\beta=-0.079$ , WD=300 mm

## Specification

Model	MVL-KF2540-25MP
Parameter	Fixed focal length, Fixed iris, 25MP, FA Lens
<b>Performance</b>	
Focal length	25 mm
F-number	F4.0
Image size	Ø19.3 mm (1.2")
Distortion	-0.08%
Minimum object distance	0.08 m
Field of view	D (19.3 mm): 41.6° H (14.6 mm): 32.04° V (12.63 mm): 27.88°
<b>Mechanical</b>	
Iris control	Fixed
Focus control	Manual
Filter thread	M35.5 × P0.5
Mount	C-mount
Flange back length	17.526 mm
Dimension	Ø38 mm × 56.33 mm to 67.73 mm (Ø1.5" × 2.22" to 2.67")
Weight	151 g (0.333 lb.)
Temperature	-10 °C to 50 °C (14 °F to 122 °F)
<b>General</b>	
Certification	RoHS 2.0

## Dimension



Unit: mm

## Field of View

Extension (mm)	Working Distance (mm)	Magnification	Field of View (mm)					
			1.2"		1.1"		1"	
			H (14.6mm)	V (12.63mm)	H (14.14mm)	V (10.35mm)	H (13.31mm)	V (8.76mm)
0	80	-0.285	51.2	44.3	49.6	36.3	46.7	30.7
	100	-0.231	63.2	54.7	61.2	44.8	57.6	37.9
	150	-0.156	93.3	80.8	90.4	66.2	85.1	56.0
	200	-0.118	123.5	106.8	119.6	87.5	112.6	74.1
	250	-0.095	153.6	132.9	148.8	108.9	140.0	92.2
	300	-0.079	183.7	158.9	177.9	130.2	167.5	110.2
	350	-0.068	213.8	185.0	207.1	151.6	194.9	128.3
	400	-0.060	244.0	211.0	236.3	172.9	222.4	146.4
	450	-0.053	274.1	237.1	265.4	194.3	249.9	164.4
	500	-0.048	304.2	263.2	294.6	215.6	277.3	182.5
	550	-0.044	334.3	289.2	323.8	237.0	304.8	200.6
	600	-0.040	364.4	315.3	353.0	258.4	332.2	218.7
	650	-0.037	394.6	341.3	382.1	279.7	359.7	236.7
	700	-0.034	424.7	367.4	411.3	301.1	387.2	254.8
	800	-0.030	484.9	419.5	469.6	343.8	442.1	291.0
	900	-0.027	545.2	471.6	528.0	386.5	497.0	327.1
	1000	-0.024	605.4	523.7	586.3	429.2	551.9	363.2

**HIKROBOT**

Hangzhou Hikrobot Co. Ltd.  
en.hikrobotics.com

© Hangzhou Hikrobot Co., Ltd. All Rights Reserved.

Hangzhou Hikrobot does not tolerate any infringement. Any organization or individual may not imitate or reproduce in whole or in part of the content. The data herein is based on Hikrobot's internal evaluation. Actual data may vary depending on specific configuration and operating condition. The information herein is subject to change without notice. All the content has been checked conscientiously. Nevertheless, Hikrobot shall not be liable to damages resulting from errors, inconsistencies or omissions.