

MVL-AF5028M-M42A

Φ29 mm 50 mm Focal Length FA Lens

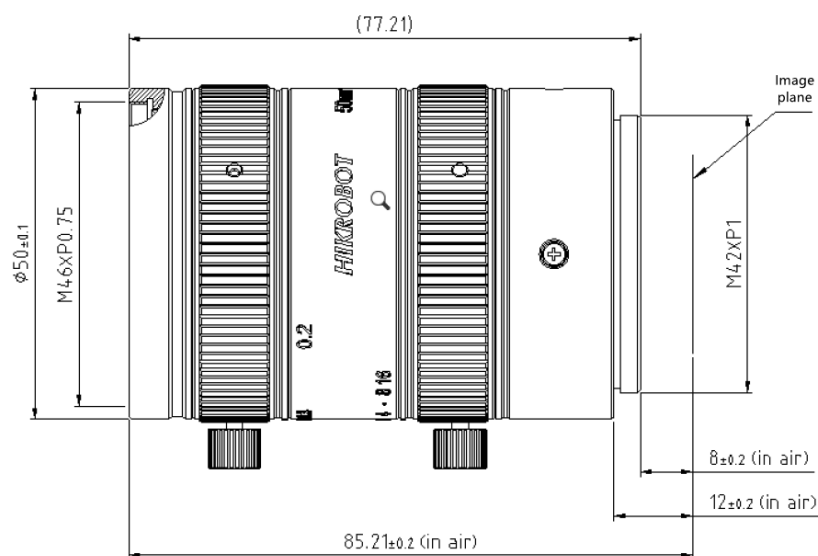
Designed for the machine vision industry, the high-resolution large format fixed focus lens has excellent imaging quality and high picture consistency, which can meet the needs of high resolution machine vision industry applications.



Key Features

- Adopts high-precision lens for 4k 7 μm line scan cameras.
- Provides excellent picture sharpness consistency and low distortion.
- Provides superior resolution at the max. aperture of F2.8.
- Provides max. image size Φ29 mm.

Dimension



Unit: mm

Specification

Model	MVL-AF5028M-M42A
Parameter	Fixed focal length, Manual iris, APS-C Lens
Performance	
Focal length	50 mm
F-number	F2.8 to F16
Image size	Φ29 mm
Optical distortion	0.05%
Magnification range	0.267 x to 0.001 x
Working distance range	200 mm to inf mm (tolerance: ±5 mm)
Mechanical	
Iris control	Manual
Focus control	Manual
Filter thread	M46 × P0.75
Mount	M42 × P1
Flange back length	12 mm
Dimension	Φ50 mm × 73.2 mm (Φ2.0" × 2.9")
Temperature	-10 °C to 50 °C (14 °F to 122 °F)
General	
Certification	RoHS 2.0

Field of View

Working Distance (mm)	Magnification	Object Image Distance (mm)	Field of View H (4k 7 μm)
200	-0.267	277	108.4
250	-0.208	327	138.8
300	-0.171	377	168.6
350	-0.145	427	198.1
400	-0.126	477	227.3
450	-0.112	527	256.5
500	-0.100	577	285.5
550	-0.091	627	314.5
600	-0.083	677	343.5
650	-0.077	727	372.4
700	-0.071	777	401.3
750	-0.066	827	430.2
800	-0.062	877	459.0
850	-0.059	927	487.9
900	-0.055	977	516.7
950	-0.052	1027	545.5
1000	-0.050	1077	574.3
1100	-0.045	1177	631.9
1200	-0.041	1277	689.5
1300	-0.038	1377	747.1
1400	-0.035	1477	804.6
1500	-0.033	1577	862.2

HIKROBOT

Hangzhou Hikrobot Co. Ltd.
en.hikrobotics.com

© Hangzhou Hikrobot Co., Ltd. All Rights Reserved.

Hangzhou Hikrobot does not tolerate any infringement. Any organization or individual may not imitate or reproduce in whole or in part of the content. The data herein is based on Hikrobot's internal evaluation. Actual data may vary depending on specific configuration and operating condition. The information herein is subject to change without notice. All the content has been checked conscientiously. Nevertheless, Hikrobot shall not be liable to damages resulting from errors, inconsistencies or omissions.