

MV-VT2000

VT2000 Series Touch Screen PC



Introduction

MV-VT2000 series touch screen PC adopts Intel® Celeron® CPU J series and multi-point capacitive touch screen, which is accurate and sensitive in operation. It has multiple interfaces, such as, GigE, IO/COM interface, USB, serial ports, and others. It is used in simple multi-camera vision applications, providing more flexible options for vision devices.

Applicable Industry

Food and drug packaging, new energy industry, transportation industry, etc.

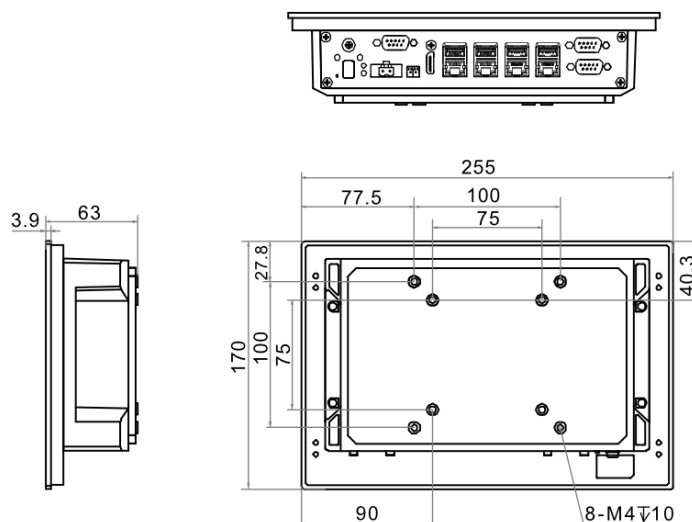
Available Model

- Without 2 TB HDD: MV-VT2000-128G40-NN
- With 2 TB HDD: MV-VT2000-128G40-2T

Key Feature

- Adopts Intel® Celeron® CPU J series to offer strong performance.
- Supports multi-channel IO and easy to use.
- Adopts GigE interfaces for stable data transmission.
- Built-in USB interface for on-site maintenance is optional.
- Full metal cover, solid and durable.
- Supports workbench placement, embedded, and wall mounting, and VESA standards.

Dimension



Unit: mm

Specification

Model	MV-VT2000-128G40-NN	MV-VT2000-128G40-2T
Performance		
CPU	Intel® Celeron® CPU J series	
Memory	8 GB	
Storage	128 GB SSD	128 GB SSD + 2 TB HDD
Operating system	Unactivated Windows 10 2021H2	
External interface		
Display interface	HDMI interface × 1 (1920 × 1080 @ 60 Hz)	
Digital I/O	Supports up to opto-isolated input × 7 and opto-isolated output × 7	
Network interface	GigE interface × 4	
USB interface	USB 3.0 × 2 USB 2.0 × 2	
Serial port	RS-232 × 2, supports switching to RS-485 and RS-422.	
Electrical feature		
Power supply	24 VDC	
Power consumption	Typ. 30 W	
Display		
Screen size	10.1 inches	
Resolution	1280 × 800	
Backlight	LED	
Backlight lifetime	≥ 30000 hrs	
Viewing angle	85°(R)/ 85°(L)/ 85°(B)/ 85°(T)	
Contrast ratio	800:1	
Brightness	350 cd/m ² (TYP)	
Touch screen		
Touch type	Multi-point capacitive touch screen	
Multi-touch	Touch supports with 10 points under Windows operating system	
Touch times	≥ 35 million times	
Transmittance	≥ 85%	
Surface hardness	6 H	
Mechanical		
Dimension	255 mm × 170 mm × 63 mm (10.0" × 6.7" × 2.5")	
Weight	Approx. 2 kg (10.6 lb.)	
Temperature	Working temperature: 0 °C to 50 °C (32 °F to 122 °F) (wind speed 0.7 m/s) Storage temperature: -30 °C to 70 °C (-22 °F to 158 °F)	Working temperature: 0 °C to 45 °C (32 °F to 113 °F) (wind speed 0.7 m/s) Storage temperature: -30 °C to 70 °C (-22 °F to 158 °F)
Humidity	20% RH to 80% RH (no condensation)	
General		
Certification	CE, KC	