

MV-VC571x

VC5000 Series Vision Controller



Introduction

MV-VC571x vision controller adopts Intel® 12th processor and has DDR5 memory. It supports 32-channel GPIO and multiple-channel light source control. It also has multiple interfaces like GigE, USB 2.0, and USB 3.0. The vision controller provides solutions for vision applications, and is widely applicable to multi-camera localization, detection, and recognition, etc.

Key Feature

- Adopts 12th generation Intel® CPU to offer strong performance.
- Supports 32-channel GPIO and some models support NPN/PNP switching for output.
- Adopts GigE interfaces for stable data transmission.
- Supports multiple-channel light source for synchronous control.

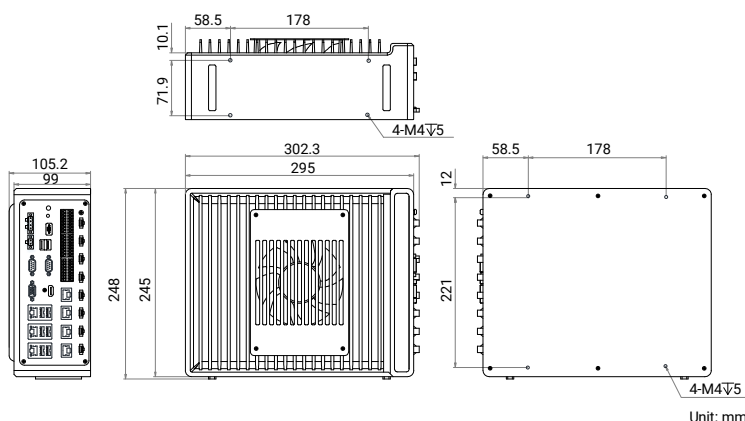
Available Model

- MV-VC5713-256G70-2T (8 GB, 256 GB SSD and 2T HDD)
- MV-VC5713-256G70-NN (8 GB, 256 GB SSD)
- MV-VC5714-256G70-2T (16 GB, 256 GB SSD and 2T HDD)
- MV-VC5714-256G70-NN (16 GB, 256 GB SSD)
- MV-VC5715-256G70-2T (32 GB, 256 GB SSD and 2T HDD)
- MV-VC5715-256G70-NN (32 GB, 256 GB SSD)

Applicable Industry

Consumer electronics, food and pharmaceutical, new energy, etc.

Dimension



Unit: mm

Specification

| Model | MV-VC5713-256G70-2T | MV-VC5713-256G70-NN | MV-VC5714-256G70-2T | MV-VC5714-256G70-NN | MV-VC5715-256G70-2T | MV-VC5715-256G70-NN |
|---------------------------|---|------------------------------------|------------------------------------|------------------------------------|------------------------------------|------------------------------------|
| Performance | | | | | | |
| CPU | Intel® Core™ i7-12700 | | | | | |
| Memory | 8 GB | | 16 GB | | 32 GB | |
| Storage | 256 GB SSD and 2T HDD | 256 GB SSD | 256 GB SSD and 2T HDD | 256 GB SSD | 256 GB SSD and 2T HDD | 256 GB SSD |
| GPU | Intel® UHD Graphics 770 | | | | | |
| Operating system | Unactivated Windows 10 | | | | | |
| Chip | H610 | | | | | |
| Interface | | | | | | |
| Video output | HDMI interface × 1, VGA interface × 1 Supports independent display output at the same time Max. resolution 1920 × 1080 @ 60 Hz | | | | | |
| Digital I/O | Opto-isolated input × 8 Opto-isolated output × 12 (supports NPN/PNP switching) Digital-isolated low-side driver output × 8 Non-isolated bi-directional differential I/O × 4 | | | | | |
| Network interface | GigE interface × 7, including interface for PoE × 4 | | | | | |
| USB interface | USB 2.0 × 4 USB 3.0 × 4 Built-in USB 2.0 × 1 | | | | | |
| Serial port | RS-232 × 2 by default, supports switching to RS-485 and RS-422 | | | | | |
| Light interface | 24 VDC constant voltage × 8 (Max. power consumption of single channel is 72 W, total max. power consumption 190 W) | | | | | |
| Extended interface | SATA 3.0 interface × 2 | | | | | |
| Electrical feature | | | | | | |
| Power supply | 24 VDC (4-pin interface for system power supply) | | | | | |
| Power consumption | Typ. 264 W (4-pin interface for system power supply) | | | | | |
| Mechanical | | | | | | |
| Dimension | 302.3 mm × 248 mm × 105.2 mm (11.9" × 9.8" × 4.1") | | | | | |
| Weight | Approx. 6 kg (13.2 lb.) | | | | | |
| Temperature | 0 °C to 45 °C (32 °F to 113 °F) | 0 °C to 50 °C (32 °F to 122 °F) | 0 °C to 45 °C (32 °F to 113 °F) | 0 °C to 50 °C (32 °F to 122 °F) | 0 °C to 45 °C (32 °F to 113 °F) | 0 °C to 50 °C (32 °F to 122 °F) |
| Humidity | 20% RH to 95% RH (no condensation) | | | | | |
| General | | | | | | |
| Certification | CE, KC | | | | | |