

MV-VC370*X

VC3000 Series Vision Controller



Introduction

MV-VC370*X vision controller adopts Intel® i7 CPU, and supports 8 GB or 16 GB memory. It supports 24-channel GPIO, and has multiple interfaces, such as, GigE, USB 2.0, and USB 3.0. It is designed for mainstream vision applications, providing support for multi-camera locating, detection, and recognition.

Key Feature

- Adopts 12th generation Intel® CPU to offer strong performance.
- Provides extended slot to connect with image frame grabbers.
- Supports 24-channel GPIO and NPN/PNP switching for output.
- Adopts GigE interfaces for high-speed and stable data transmission.

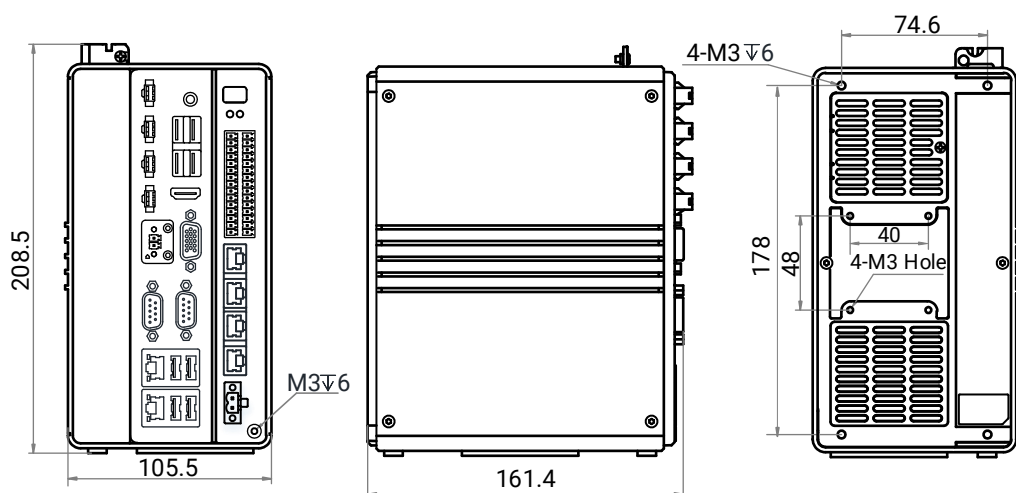
Available Model

- MV-VC3701X-128G60 (128 GB SSD)
- MV-VC3702X-128G60 (128 GB SSD + 2 TB HDD)
- MV-VC3703X-128G60 (128 GB SSD + 2 TB HDD, PoE supported)
- MV-VC3704X-128G60 (128 GB SSD + 2 TB HDD, 16 GB memory)

Applicable Industry

Consumer electronics, transportation, food and pharmaceutical, etc.

Dimension



Unit: mm

Specification

HIKROBOT

Model	MV-VC3701X-128G60	MV-VC3702X-128G60	MV-VC3703X-128G60	MV-VC3704X-128G60
Performance				
CPU	Intel® Core™ i7-12700			
Memory	8 GB			16 GB
Storage	128 GB SSD	128 GB SSD + 2 TB HDD		
GPU	Intel® HD Graphics 770			
Operating system	Unactivated Windows 10			
External interface				
Video output	HDMI interface × 1, VGA interface × 1 Supports independent display outputs at the same time Max. resolution 1920 × 1080 @60 Hz (HDMI interface) Max. resolution 1920 × 1440 @60 Hz (VGA interface)			
Digital I/O	Opto-isolated input × 8 Opto-isolated output × 16 (supports NPN/PNP switching)			
Network interface*	GigE interface × 6, including Intel® GigE interface × 2, Netswift GigE interface × 4	GigE interface × 6, including GigE interface with PoE × 4 between I/O interface and power supply interface*		GigE interface × 6, including Intel® GigE interface × 2, Netswift GigE interface × 4
USB interface	USB 2.0 × 4 USB 3.0 × 4			
Serial port	RS-232 × 2, supports switching to RS-485 and RS-422			
Light interface	24 VDC constant voltage × 4 (Max. power consumption of single channel is 72 W, total max. power consumption 80 W.)			
Electrical feature				
Power supply	24 VDC			
Power consumption	Typ. 144 W			
Mechanical				
Dimension	161.4 mm × 208.5 mm × 105.5 mm (6.4" × 8.2" × 4.2")			
Weight	Approx. 2.1 kg (4.6 lb.)			
Temperature	0 °C to 50 °C (32 °F to 122 °F)			
Humidity	20% RH to 95% RH (no condensation)			
General				
Certification	CE, KC			

* The total loading of the 4 GigE interfaces with PoE of MV-VC3703X is 20 W.