

# MV-VC350\*X

## VC3000 Series Vision Controller



### Introduction

MV-VC350\*X vision controller adopts Intel® i5 CPU, and supports 8 GB or 16 GB memory. It supports 24-channel GPIO, and has multiple interfaces, such as, GigE, USB 2.0, and USB 3.0. It is designed for mainstream vision applications, providing support for multi-camera locating, detection, and recognition.

### Key Feature

- Adopts 12<sup>th</sup> generation Intel® CPU to offer strong performance.
- Provides extended slot to connect with image frame grabbers.
- Supports 24-channel GPIO and NPN/PNP switching for output.
- Adopts GigE interfaces for high-speed and stable data transmission.

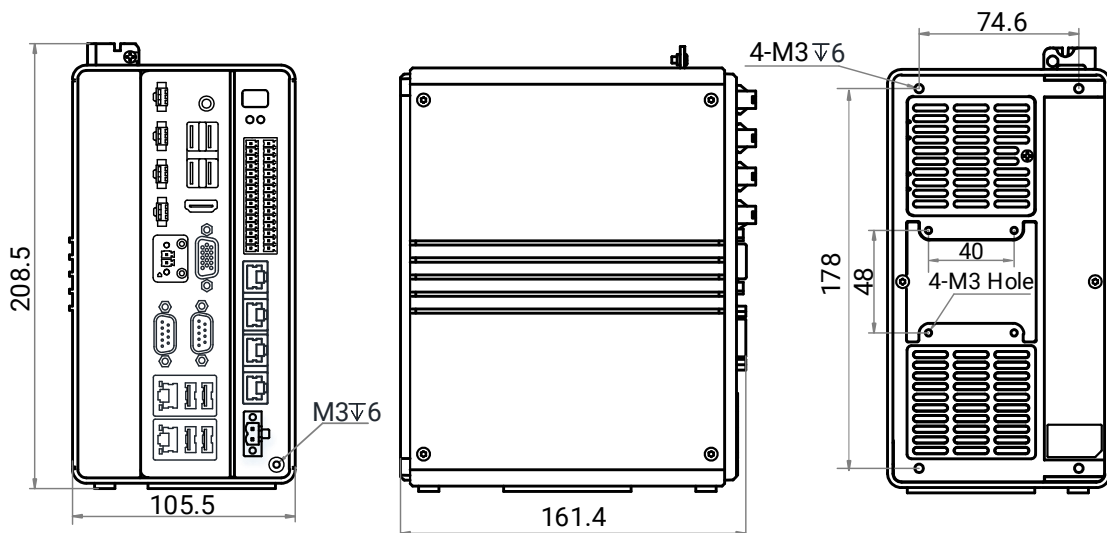
### Available Model

- MV-VC3501X-128G60 (128 GB SSD)
- MV-VC3502X-128G60 (128 GB SSD + 2 TB HDD)
- MV-VC3503X-128G60 (128 GB SSD + 2 TB HDD, PoE supported)
- MV-VC3504X-128G60 (128 GB SSD + 2 TB HDD)

### Applicable Industry

Consumer electronics, transportation, food and pharmaceutical, etc.

### Dimension



Unit: mm

# Specification

**HIKROBOT**

| Model                     | MV-VC3501X-128G60   | MV-VC3502X-128G60     | MV-VC3503X-128G60   | MV-VC3504X-128G60  |
|---------------------------|---|-----------------------|---|--|
| <b>Performance</b>        |   |                       |   |  |
| CPU                       | Intel® Core™ i5-12400   |                       |   |  |
| Memory                    | 8 GB  |                       |   | 16 GB  |
| Storage                   | 128 GB SSD  | 128 GB SSD + 2 TB HDD |   |  |
| GPU                       | Intel® HD Graphics 730  |                       |   |  |
| Operating system          | Unactivated Windows 10  |                       |   |  |
| <b>External interface</b> |   |                       |   |  |
| Video output              | HDMI interface × 1, VGA interface × 1<br>Supports independent display outputs at the same time<br>Max. resolution 1920 × 1080 @ 60 Hz (HDMI interface)<br>Max. resolution 1920 × 1440 @ 60 Hz (VGA interface) |                       |   |  |
| Digital I/O               | Opto-isolated input × 8<br>Opto-isolated output × 16 (supports NPN/PNP switching)   |                       |   |  |
| Network interface*        | GigE interface × 6, including Intel® GigE interface × 2, Netswift GigE interface × 4  |                       | GigE interface × 6, including GigE interface with PoE × 4 between I/O interface and power supply interface* | GigE interface × 6, including Intel® GigE interface × 2, Netswift GigE interface × 4 |
| USB interface             | USB 2.0 × 4<br>USB 3.0 × 4  |                       |   |  |
| Serial port               | RS-232 × 2, supports switching to RS-485 and RS-422   |                       |   |  |
| Light interface           | 24 VDC constant voltage × 4<br>(Max. power consumption of single channel is 72 W, total max. power consumption 80 W.)   |                       |   |  |
| <b>Electrical feature</b> |   |                       |   |  |
| Power supply              | 24 VDC  |                       |   |  |
| Power consumption         | Typ. 144 W  |                       |   |  |
| <b>Mechanical</b>         |   |                       |   |  |
| Dimension                 | 161.4 mm × 208.5 mm × 105.5 mm (6.4" × 8.2" × 4.2")   |                       |   |  |
| Weight                    | Approx. 2.1 kg (4.6 lb.)  |                       |   |  |
| Temperature               | 0 °C to 50 °C (32 °F to 122 °F)   |                       |   |  |
| Humidity                  | 20% RH to 95% RH (no condensation)  |                       |   |  |
| <b>General</b>            |   |                       |   |  |
| Certification             | CE, KC  |                       |   |  |

\* The total loading of the 4 GigE interfaces with PoE of MV-VC3503X-128G60 is 20 W.