

MV-VC320*H

VC3000 Series Vision Controller



Introduction

MV-VC320*H vision controller adopts Intel® G5400 CPU, and supports 8 GB memory. It supports 24-channel GPIO, and has multiple interfaces, such as, GigE, USB 2.0, and USB 3.0. It is designed for mainstream vision applications, providing support for multi-camera locating, detection, and recognition.

Key Feature

- Adopts 8th generation Intel® CPU to offer strong performance.
- Provides extended slot to connect with image frame grabbers.
- Supports 24-channel GPIO and NPN/PNP switching for output.
- Adopts GigE interfaces for high-speed and stable data transmission.
- Supports PCIe 3.0 ×16 interface.
- Built-in USB interface for on-site maintenance is optional.

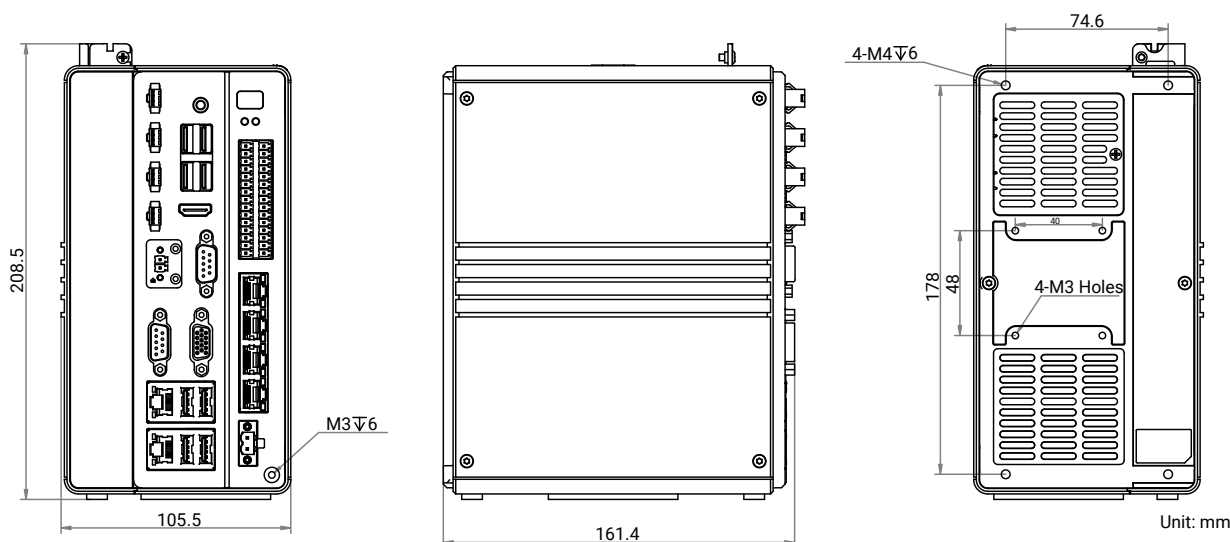
Available Model

- MV-VC3201H-128G60 (128 GB SSD)
- MV-VC3202H-128G60 (128 GB SSD + 2 TB HDD)

Applicable Industry

Consumer electronics, transportation, food and pharmaceutical, etc.

Dimension



Specification

HIKROBOT

Model	MV-VC3201H-128G60	MV-VC3202H-128G60
Performance		
CPU	Intel® Pentium™ G5400	
Memory	8 GB	
Storage	128 GB SSD	128 GB SSD + 2 TB HDD, mSATA interface × 1
GPU	Intel® HD Graphics 610	
Operating system	Unactivated 64-bit Windows 10	
External interface		
Video output	HDMI interface × 1, VGA interface × 1 Supports independent display outputs at the same time Max. resolution 1920 × 1080 @ 60 Hz	
Digital I/O	Opto-isolated input × 8 Opto-isolated output × 16 (supports NPN/PNP switching)	
Network interface	GigE interface × 6	
USB interface	USB 2.0 × 4 USB 3.0 × 4 Built-in USB 2.0 × 1	
Serial port	RS-232 × 2, supports switching to RS-485 and RS-422	
Light interface	24 VDC constant voltage × 4 (Max. power consumption of single channel is 72 W, total max. power consumption 80 W.)	
Extended interface	PCIe 3.0 × 16 (× 1)	
Electrical feature		
Power supply	24 VDC	
Power consumption	Typ. 95 W	
Mechanical		
Dimension	161.4 mm × 208.5 mm × 105.5 mm (6.4" × 8.2" × 4.2")	
Weight	Approx. 2.1 kg (4.6 lb.)	
Temperature	0 °C to 50 °C (32 °F to 122 °F)	
Humidity	20% RH to 95% RH (no condensation)	
General		
Certification	CE, KC	