

MV-LRSS-H

Shadowless Ring Light

MV-LRSS-H shadowless ring light owns SMD LED with built-in large luminous angles and adopts special diffuse plate included to achieve uniform range irradiation with high degrees of freedom. Multiple specifications are available.



Key Features

- Provides high uniformity illumination.
- Supports various sizes of outer diameter.

Applicable Industry

Character recognition, color recognition, printing detection, incomplete and dirt detection.

Naming Rule

MV - LRSS - H - 80 - *

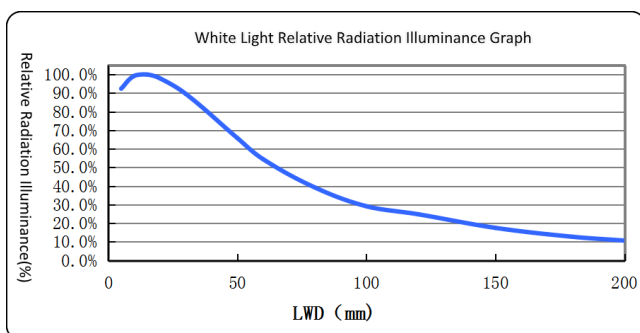
LRSS: shadowless ring light

H: Hikrobot style series

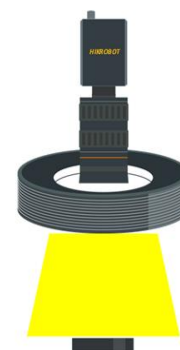
80: dimension (mm)

*****: color

Relative Radiation Illuminance Curve under White Light



Lighting



Specification

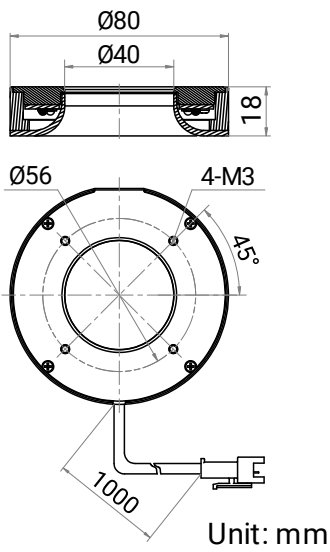
Parameter Model	Performance			Mechanical					Electrical feature		
	Color	Center illuminance	Best working distance	Dimension	Bore dimension	Emitting area length	LED rows	Weight	Power	Input voltage	Connector type
MV-LRSS-H-80-W	White	≥ 14000 Lux @ WD=100 mm	30 mm to 50 mm	Φ80 mm × 18 mm	Φ40 mm	Φ66 mm	1	131 g	8.7 W	24 VDC	SMR-03V-B
MV-LRSS-H-120-W	White	≥ 15000 Lux @ WD=100 mm	30 mm to 60 mm	Φ120 mm × 18 mm	Φ75 mm	Φ106 mm	1	224 g	13.1 W	24 VDC	SMR-03V-B
MV-LRSS-H-160-W	White	≥ 18000 Lux @ WD=100 mm	30 mm to 80 mm	Φ160 mm × 18 mm	Φ116 mm	Φ146 mm	1	298 g	17.4 W	24 VDC	SMR-03V-B
MV-LRSS-H-160-R	Red	≥ 6500 Lux @ WD=100 mm	30 mm to 80 mm	Φ160 mm × 18 mm	Φ116 mm	Φ146 mm	1	298 g	11.8 W	24 VDC	SMR-03V-B
MV-LRSS-H-200-W	White	≥ 6500 Lux @ WD=100 mm	30 mm to 80 mm	Φ200 mm × 34 mm	Φ148 mm	Φ186 mm	1	564 g	21.8 W	24 VDC	SMR-03V-B
MV-LRSS-H-250-W	White	≥ 19000 Lux @ WD=100 mm	60 mm to 120 mm	Φ250 mm × 34 mm	Φ190 mm	Φ236 mm	1	763 g	26.2 W	24 VDC	SMR-03V-B
MV-LRSS-H-250-B	Blue	≥ 3800 Lux @ WD=100 mm	60 mm to 120 mm	Φ250 mm × 34 mm	Φ190 mm	Φ236 mm	1	763 g	24.2 W	24 VDC	SMR-03V-B
MV-LRSS-H-300-W	White	≥ 20000 Lux @ WD=100 mm	60 mm to 120 mm	Φ300 mm × 34 mm	Φ248 mm	Φ286 mm	1	870 g	30.5 W	24 VDC	SMR-03V-B

Other Parameters

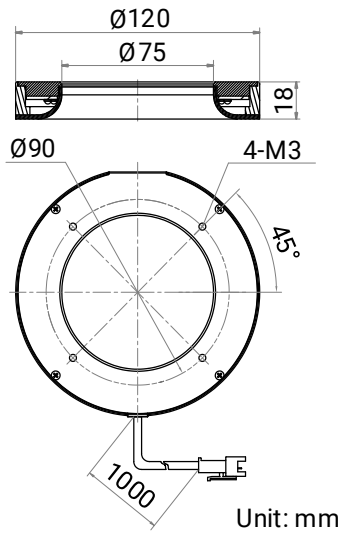
Model	MV-LRSS-H
Performance	
Wavelength	R: 630 nm B: 470 nm
Color temperature	W: 6000K to 7000K
Mechanical	
Cable length	1 m
Cooling mode	Natural cooling
Temperature	Working temperature: 0 °C to 40 °C (32 °F to 104 °F) Storage temperature: -20 °C to 60 °C (-4 °F to 140 °F)
Humidity	20% RH to 90% RH (no condensation)
Diffuse plate included	PMMA

Dimension

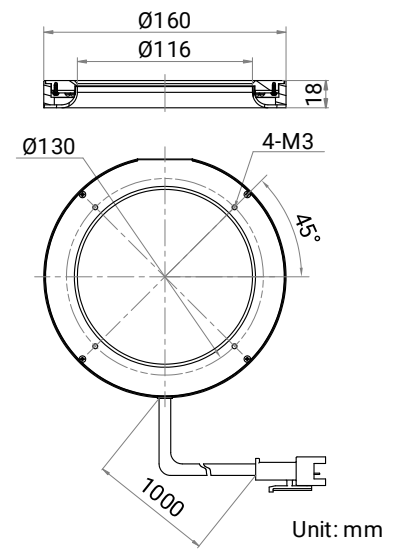
MV-LRSS-H-80-W



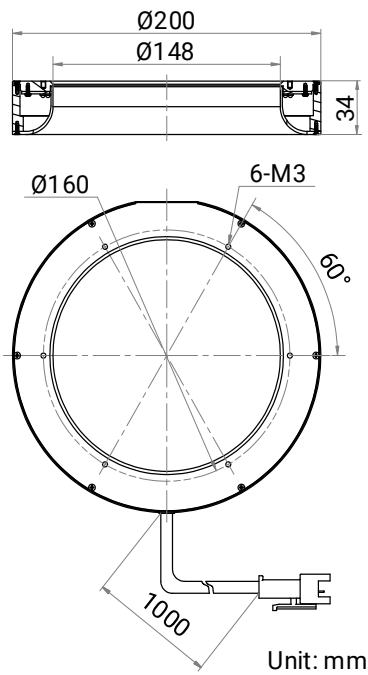
MV-LRSS-H-120-W



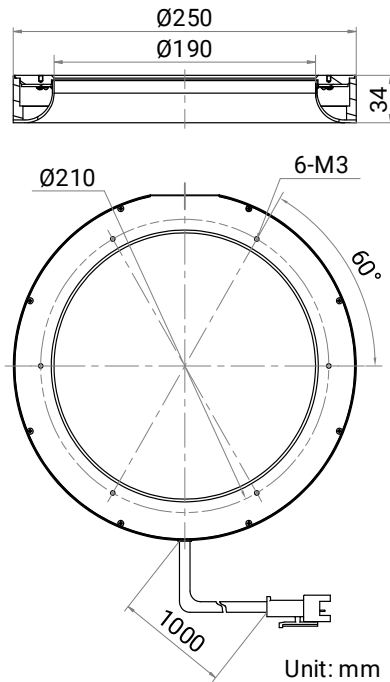
MV-LRSS-H-160-W/R



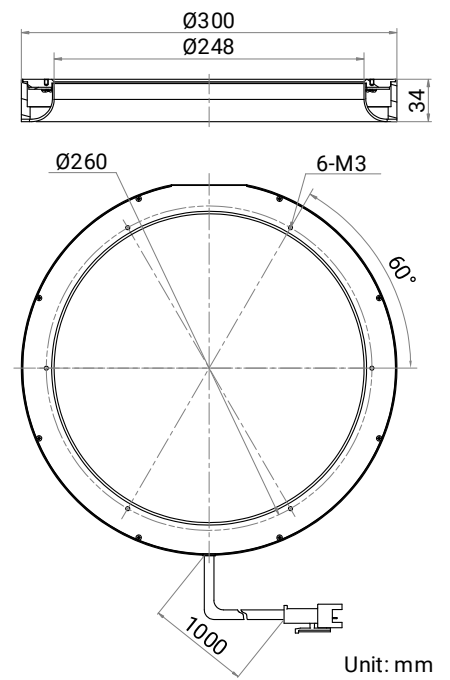
MV-LRSS-H-200-W



MV-LRSS-H-250-W/B



MV-LRSS-H-300-W



HIKROBOT

Hangzhou Hikrobot Co. Ltd.
en.hikrobotics.com

© Hangzhou Hikrobot Co., Ltd. All Rights Reserved.

Hangzhou Hikrobot does not tolerate any infringement. Any organization or individual may not imitate or reproduce in whole or in part of the content. The data herein is based on Hikrobot's internal evaluation. Actual data may vary depending on specific configuration and operating condition. The information herein is subject to change without notice. All the content has been checked conscientiously. Nevertheless, Hikrobot shall not be liable to damages resulting from errors, inconsistencies or omissions.