

MV-LE201-*W5

Spot Light Controller



Introduction

MV-LE201-*W5 spot light controller supports a variety of variable current control mode of light source. It adopts control panel buttons and display screen, and provides serial port or network interface communication. It has features of stable performance and flexible functions. The digital light controller helps users realize fast and convenient deployment of light source on site.

Key Feature

- Adopts constant current to improve light source stability.
- Adopts buttons and display to have quick operations.
- Supports using serial port or network interface to set parameters and manage the device.
- Supports external trigger interface for different lighting modes.
- Supports overcurrent, overload, overtemperature, short circuit protection.

Available Model

- Output power 10 W: MV-LE201-10W5-2D
- Output power 30 W: MV-LE201-30W5-2FD

Accessory

Light source extension cable for MV-LE201-10W5-2D: MV-LW-H-0**-1-S;

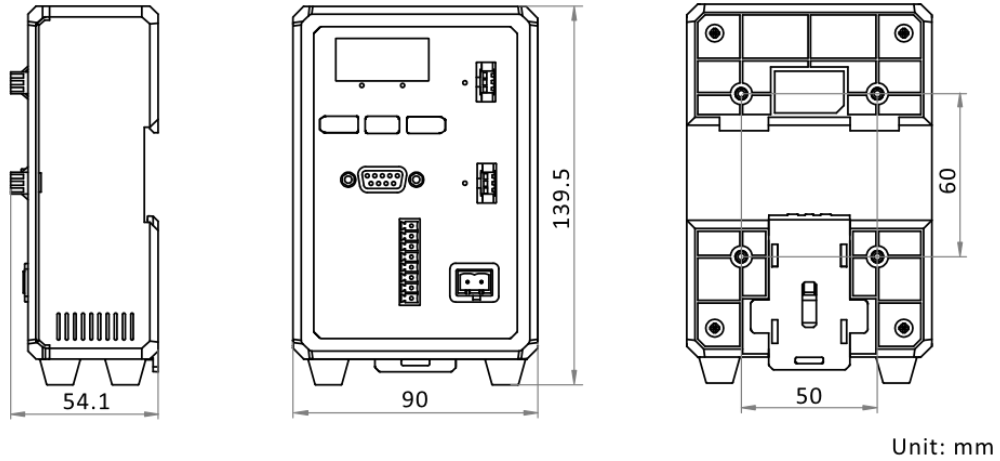
Light source extension cable for MV-LE201-30W5-2FD: MV-LW-H-003-1-12M5A

Specification

| Model | MV-LE201-10W5-2D | MV-LE201-30W5-2FD |
|---------------------------------|--|--|
| Performance | | |
| Drive mode | Digital, constant current | |
| Lighting mode | Continuous, strobe | |
| Channel | 2-channel | |
| Dimming mode | Control panel (via pressing button), software (serial port) | |
| Brightness level | 0 to 255 | |
| Lighting response time | < 10 μ s | < 30 μ s |
| Trigger mode | External trigger and internal trigger | |
| Communication protocol | Serial | |
| Applicable product | MV-LDSS-H-8-3-W/R/B/G/Y; MV-LDFS-H-20-6-W | MV-LDFM-H-20-10-W; MV-LDFM-H-20-5-IR850 |
| Electrical feature | | |
| Input voltage | 24 VDC | |
| Input current | 0.5 A/24 VDC | 1.5 A/24 VDC |
| Output voltage | 5 VDC | |
| Output current | Max. 2 A | Max. 3 A |
| Output power | Max. 10 W | Max. 30 W |
| Output current for each channel | Max. 1 A | Max. 3 A |
| Trigger in | High level 4.5 VDC to 24 VDC, low level 0 VDC to 2 VDC | |
| Trigger out | High level 10 VDC to 24 VDC, low level 0 VDC to 2 VDC | |
| Mechanical | | |
| Power supply interface | 24 VDC terminal block | |
| Console interface | DB9F serial port | |
| Digital I/O | Opto-isolated input \times 2, opto-isolated output \times 2 | |
| Light source output connector | SMR-03V-BC (Female) | 12M-5F (Female) |
| Dimension | 139.5 mm \times 90 mm \times 54.1 mm (5.5" \times 3.5" \times 2.1") | 139.5 mm \times 90 mm \times 55.5 mm (5.5" \times 3.5" \times 2.2") |
| Shell material | Plastic | |
| Weight | 240 g (0.5 lb.) | 300 g (0.7 lb.) |
| Temperature | Working temperature: 0 $^{\circ}$ C to 40 $^{\circ}$ C (32 $^{\circ}$ F to 104 $^{\circ}$ F) Storage temperature: -20 $^{\circ}$ C to 60 $^{\circ}$ C (-4 $^{\circ}$ F to 140 $^{\circ}$ F) | |
| Humidity | 20% RH to 85% RH (no condensation) | |
| Ingress protection | IP30 | |
| Cooling mode | Natural cooling | Fan cooling |
| General | | |
| Certification | CE, KC | |

Dimension

MV-LE201-10W5-2D :



MV-LE201-30W5-2FD

