

MV-LE201-*W48

Line Scan Light Controller



Introduction

MV-LE201-*W48 line scan light controller supports a variety of variable current control mode of light source. It adopts control panel buttons and display screen, and provides network interface communication. It has features of stable performance and flexible functions. The digital light controller helps users realize fast and convenient deployment of light source on site.

Key Feature

- Adopts constant current to improve light source stability.
- Adopts buttons and display to have quick operations.
- Supports using network interface to set parameters and manage the device.
- Supports external trigger interface for different lighting modes.
- Supports overcurrent, overload, overtemperature, short circuit protection.

Available Model

- 2-channel, output power 200 W: MV-LE201-200W48-2TD
- 2-channel, output power 500 W: MV-LE201-500W48-2TD
- 2-channel, output power 750 W: MV-LE201-750W48-2TD
- 4-channel, output power 1200 W: MV-LE201-1200W48-4T

Accessory

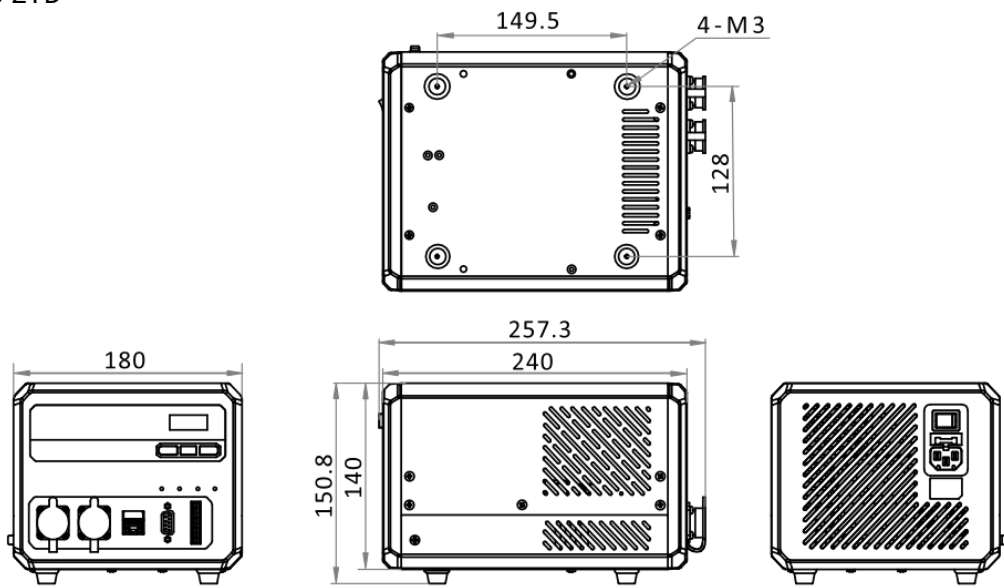
Light source extension cable: MV-LW-H-0**-1-19M8A

Specification

Model	MV-LE201-200W48-2TD	MV-LE201-500W48-2TD
Performance		
Drive mode	Digital, constant current	
Lighting mode	Continuous, strobe	
Channel	2-channel	
Dimming mode	Control panel (via pressing button), software (serial port or network interface)	
Brightness level	0 to 255	
Lighting response time	< 10 μ s	
Trigger mode	External trigger and internal trigger	
Communication protocol	UDP, Serial	
Applicable product	Line scan light (with 19M-8H and 19M-8A connector).	Line scan light (with 19M-8H and 19M-8A connector) Vcsel line scan light only supports connection to a single channel.
Electrical feature		
Input voltage	100 VAC to 240 VAC, 50 Hz/60 Hz	
Input current	1.8 A (115 VAC) 1 A (230 VAC)	5.3 A (115 VAC) 2.65 A (230 VAC)
Output voltage	48 VDC	
Output current	Max. 4 A	Max. 10 A
Output power	Max. 200 W	Max. 500 W
Output current for each channel	Max. 4 A	Max. 8 A
Trigger in	High level 4.5 VDC to 24 VDC, low level 0 VDC to 2 VDC	
Trigger out	High level 10 VDC to 24 VDC, low level 0 VDC to 2 VDC	
Mechanical		
Power supply interface	C13 220 VAC interface	
Console interface	RJ45 network interface, DB9F serial port	
Digital I/O	Opto-isolated input \times 2, opto-isolated output \times 2	
Lighting output connector	19M-8H (Female) \times 2	
Dimension	257.3 mm \times 180 mm \times 150.8 mm (10.1" \times 7.1" \times 5.9")	347.2 mm \times 180 mm \times 150.8 mm (13.7" \times 7.1" \times 5.9")
Shell material	Plastic + SECC	
Weight	2070 g (4.6 lb.)	5000 g (11.0 lb.)
Temperature	Working temperature: 0 $^{\circ}$ C to 40 $^{\circ}$ C (32 $^{\circ}$ F to 104 $^{\circ}$ F) Storage temperature: -20 $^{\circ}$ C to 60 $^{\circ}$ C (-4 $^{\circ}$ F to 140 $^{\circ}$ F)	
Humidity	20% RH to 85% RH (no condensation)	
Ingress protection	IP30	
Cooling mode	Fan cooling	
General		
Certification	CE, KC	

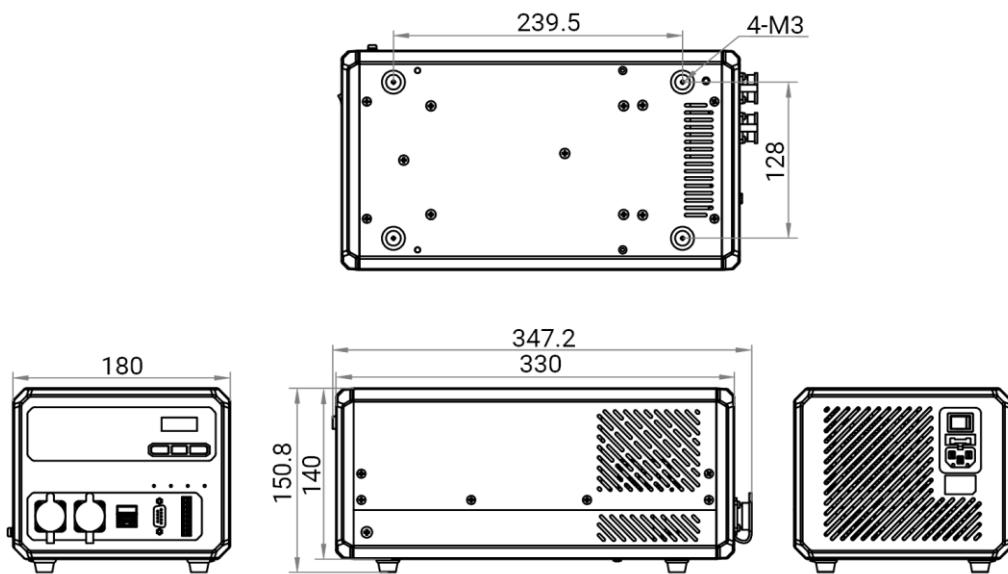
Model	MV-LE201-750W48-2TD	MV-LE201-1200W48-4T
Performance		
Drive mode	Digital, constant current	
Lighting mode	Continuous, strobe	
Channel	2-channel	4-channel (CH1 and CH2 provide dual interfaces.)
Dimming mode	Control panel (via pressing button), software (serial port or network interface)	Control panel (via pressing button), software (network interface)
Brightness level	0 to 255	Not supported.
Lighting response time	< 10 μ s	< 1.5 μ s
Trigger mode	External trigger and internal trigger	
Communication protocol	UDP, Serial	UDP
Applicable product	Line scan light (with 19M-8H and 19M-8A connector).	MV-LTDS-H series line scan light source, suitable for multi-light control (Version 2.0 and above).
Electrical feature		
Input voltage	100 VAC to 240 VAC, 50 Hz/60 Hz	
Input current	8.2 A (115 VAC) 3.9 A (230 VAC)	13.2 A (100 VAC) 5.5 A (240 VAC)
Output voltage	48 VDC	
Output current	Max. 15 A	Max. 25 A
Output power	Max. 750 W	Max. 1200 W
Output current for each channel	Max. 8 A	Max. 10 A
Trigger in	High level 4.5 VDC to 24 VDC, low level 0 VDC to 2 VDC	
Trigger out	High level 2.7 VDC to 24 VDC, low level 0 VDC to 2 VDC	
Mechanical		
Power supply interface	C13 220 VAC interface	
Console interface	RJ45 network interface, DB9F serial port	RJ45 network interface
Digital I/O	Opto-isolated input \times 2, opto-isolated output \times 2	Input and output \times 4, supporting single-ended/differential signals.
Light source output connector	19M-8H (Female) \times 2	19M-8H (Female) \times 6
Dimension	347.2 mm \times 180 mm \times 150.8 mm (13.7" \times 7.1" \times 5.9")	245 mm \times 350 mm \times 83.3 mm (9.6" \times 13.8" \times 3.3")
Shell material	Plastic + SECC	
Weight	5300 g (11.7 lb.)	5500 g (12.1 lb.)
Temperature	Working temperature: 0 $^{\circ}$ C to 40 $^{\circ}$ C (32 $^{\circ}$ F to 104 $^{\circ}$ F) Storage temperature: -20 $^{\circ}$ C to 60 $^{\circ}$ C (-4 $^{\circ}$ F to 140 $^{\circ}$ F)	
Humidity	20% RH to 85% RH (no condensation)	
Ingress protection	IP30	
Cooling mode	Fan cooling	
General		
Certification	CE, KC	

MV-LE201-200W48-2TD



Unit: mm

MV-LE201-500W48-2TD & MV-LE201-750W48-2TD

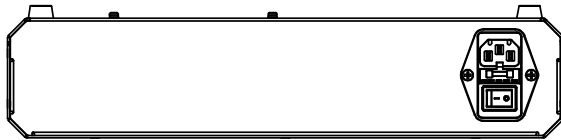
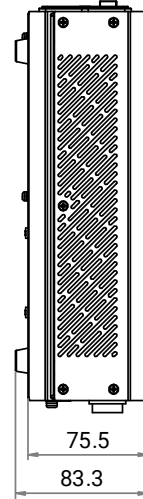
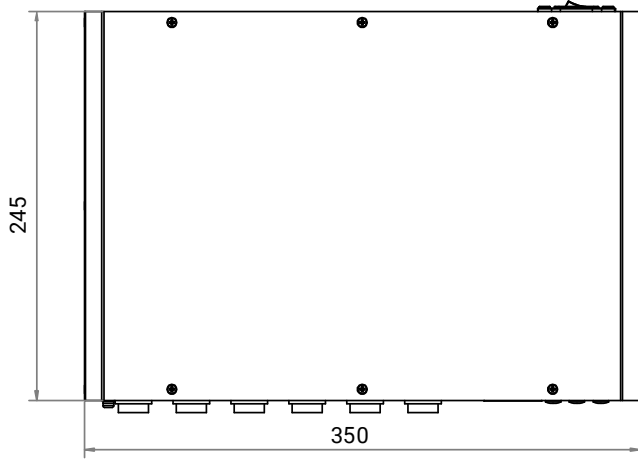
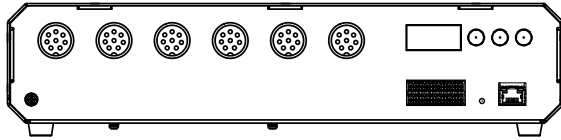


Unit: mm

Dimension

MV-LE201-1200W48-4T

HIKROBOT



Unit: mm