

# MV-LCDS-H

## Standard Coaxial Light

MV-LCDS-H standard coaxial light provides uniform illumination in the same direction as the camera. The high-brightness coaxial light ensures clear imaging of objects.



### Key Features

- Features special beam splitter design and improved light efficiency.
- Features efficient heat dissipation and extended service life.

### Applicable Industry

Appearance inspection of smooth plane/reflective object surface, short-circuit/open-circuit and other defect detection of PCB, QR code/barcode recognition, Mark point positioning detection, etc.

### Naming Rule

**MV - LCDS - H - 30 - 30 - \***

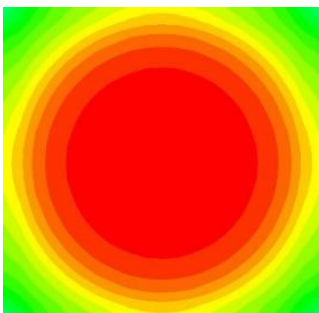
**LCDS**: standard coaxial light

**H**: Hikrobot style series

**30 - 30**: emitting area dimension (mm)

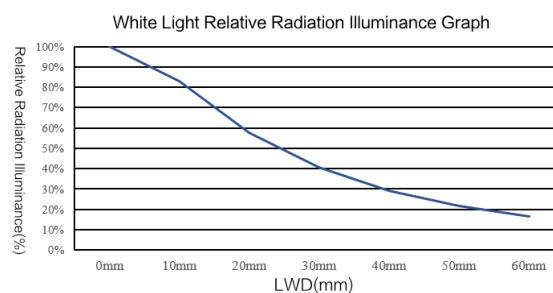
**\***: color

### Illuminance Distribution Image



### Relative Radiation Illuminance

#### Curve Under White Light



### Lighting



## Specification

Model	Parameter	Performance	Mechanical			Electrical feature		Irradiation	
	Color	Dimension	Emitting area dimension	Weight	Power	Connector type	Safety class	Safety distance	
MV-LCDS-H-30-30-W	White	69 mm × 37.9 mm × 38 mm	32.5 mm × 32 mm	132 g	3.3 W	SMR-03V-B	No danger	/	
MV-LCDS-H-30-30-B	Blue	69 mm × 37.9 mm × 38 mm	32.5 mm × 32 mm	132 g	3.6 W	SMR-03V-B	RG1	0.35 m	
MV-LCDS-H-30-30-R	Red	69 mm × 37.9 mm × 38 mm	32.5 mm × 32 mm	132 g	2.2 W	SMR-03V-B	No danger	/	
MV-LCDS-H-40-40-W	White	69 mm × 45.7 mm × 46 mm	40 mm × 40 mm	167 g	5.4 W	SMR-03V-B	No danger	/	
MV-LCDS-H-40-40-B	Blue	69 mm × 45.7 mm × 46 mm	40 mm × 40 mm	167 g	5.9 W	SMR-03V-B	RG1	0.45 m	
MV-LCDS-H-40-40-R	Red	69 mm × 45.7 mm × 46 mm	40 mm × 40 mm	167 g	4.1 W	SMR-03V-B	No danger	/	
MV-LCDS-H-50-50-W	White	79 mm × 59.7 mm × 56 mm	50 mm × 50 mm	250 g	5.5 W	SMR-03V-B	No danger	/	
MV-LCDS-H-50-50-B	Blue	79 mm × 59.7 mm × 56 mm	50 mm × 50 mm	250 g	7 W	SMR-03V-B	RG1	0.50 m	
MV-LCDS-H-50-50-R	Red	79 mm × 59.7 mm × 56 mm	50 mm × 50 mm	250 g	4.7 W	SMR-03V-B	No danger	/	
MV-LCDS-H-60-60-W	White	89 mm × 67.3 mm × 66 mm	60 mm × 60 mm	320 g	9.6 W	SMR-03V-B	No danger	/	
MV-LCDS-H-60-60-B	Blue	89 mm × 67.3 mm × 66 mm	60 mm × 60 mm	320 g	8.7 W	SMR-03V-B	RG1	0.55 m	
MV-LCDS-H-60-60-R	Red	89 mm × 67.3 mm × 66 mm	60 mm × 60 mm	320 g	6.7 W	SMR-03V-B	No danger	/	
MV-LCDS-H-70-70-W	White	99 mm × 77.7 mm × 76 mm	70 mm × 70 mm	417 g	10.8 W	SMR-03V-B	No danger	/	
MV-LCDS-H-70-70-B	Blue	99 mm × 77.7 mm × 76 mm	70 mm × 70 mm	417 g	8.8 W	SMR-03V-B	RG1	0.60 m	
MV-LCDS-H-70-70-IR850	Infrared	99 mm × 77.7 mm × 76 mm	70 mm × 70 mm	417 g	12.6 W	SMR-03V-B	No danger	/	

## Other Parameters

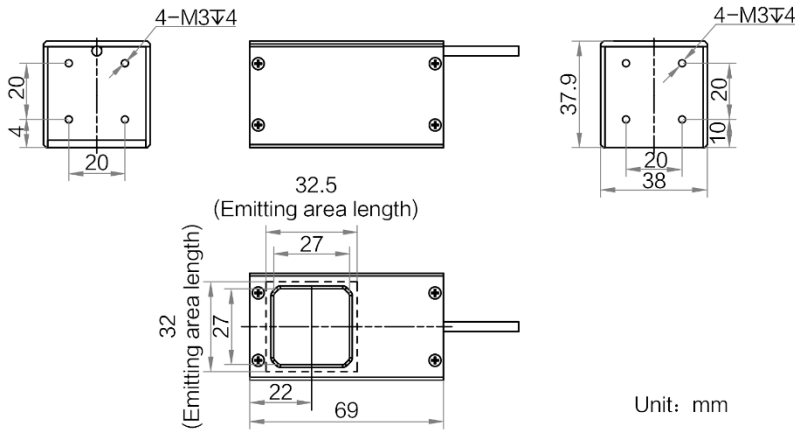
Model	MV-LCDS-H
Parameter	Standard Coaxial Light
<b>Performance</b>	
Color temperature	W: 6000K to 7000K
Wavelength	B: 465 nm R: 625 nm IR: 850 nm
<b>Mechanical</b>	
Cable length	1 m
Cooling mode	Natural cooling
Temperature	Working temperature: 0 °C to 40 °C (32 °F to 104 °F) Storage temperature: -20 °C to 60 °C (-4 °F to 140 °F)
Humidity	20% RH to 90% RH (no condensation)
Diffuse plate included	Included

## Note

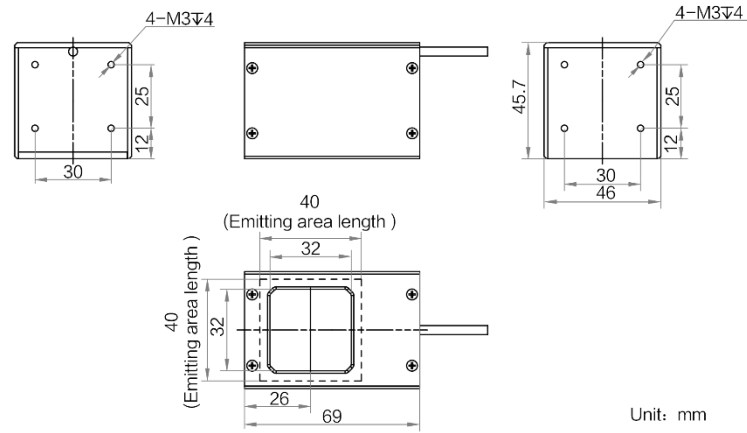
- Measured at 200 mm distance, some models of this device have a retinal blue light hazard that belongs to the risk group 1 (RG1). Do not stare at an operating light source.
- Protective measures like wearing safety goggles are required when installing, maintaining and debugging the device.

# Dimension

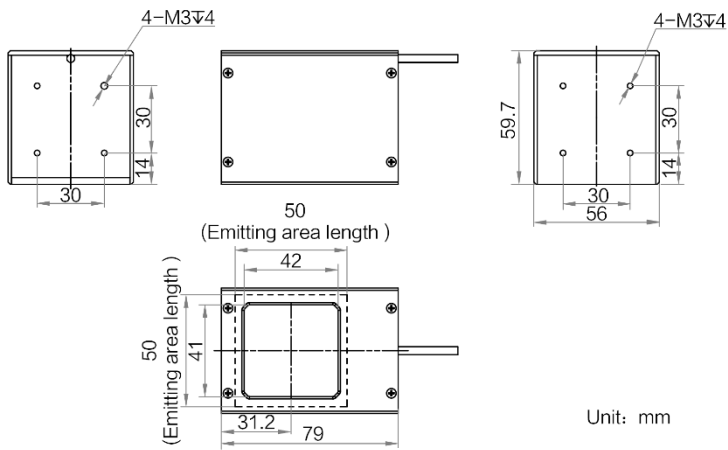
MV-LCDS-H-30-30-W/B/R



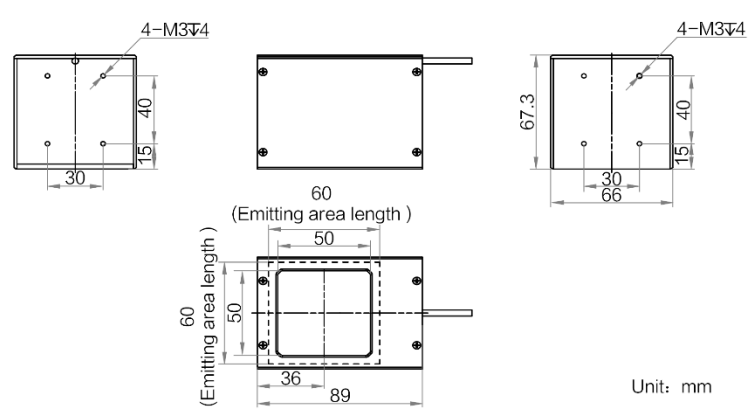
MV-LCDS-H-40-40-W/B/R



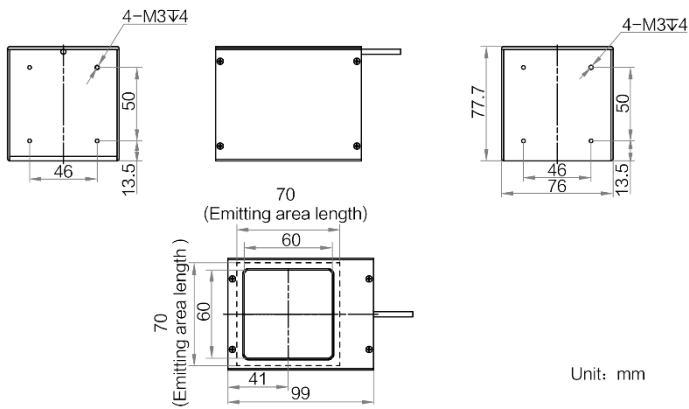
MV-LCDS-H-50-50-W/B/R



MV-LCDS-H-60-60-W/B/R



MV-LCDS-H-70-70-W/B/IR850



Hangzhou Hikrobot Co. Ltd.  
en.hikrobotics.com