

MV-LBSS-H (V2.0)

Standard Flat Light

MV-LBSS-H (V2.0) standard flat light adopts high-density array LED layout to provide high brightness, backplane light with large coverage. With excellent lighting uniformity, it is available in models with a variety of dimensions.



Key Features

- Adopts high-density array LED design, and provides excellent lighting uniformity.
- Provides side mounting lugs to achieve flexible installation.

Applicable Industry

Workpiece size / contour measurement, product positioning detection, flaw detection of transmitted objects, etc.

Naming Rule

MV - LBSS - H - 30 - 30 - *2

LBSS: standard flat light

H: Hikrobot style

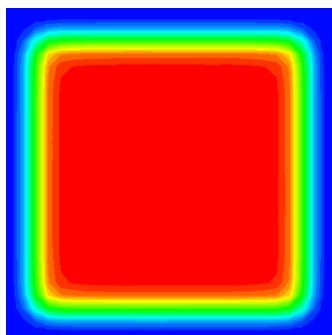
30 - 30: emitting area dimension (mm)

*****: color

2: version 2.0

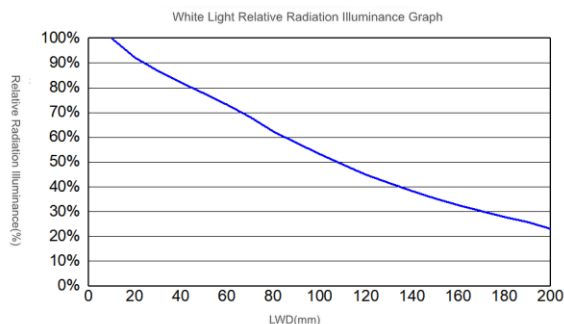
Illuminance Distribution

Image

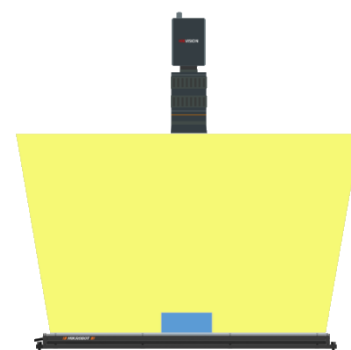


Relative Radiation Illuminance

Curve under White Light



Lighting



Model	Parameter	Performance		Mechanical			Electrical feature		
		Color	Center illuminance/irradiance	Dimension	Emitting area dimension	Weight	Power	Input voltage	Connector type
MV-LBSS-H-30-30-W2	White	≥ 2700 lux @ 100 mm	62 mm × 43 mm × 18 mm	30 mm × 30 mm	0.09 kg	2.3 W	24 VDC	SMR-03V-B	
MV-LBSS-H-30-30-B2	Blue	≥ 550 lux @ 100 mm	62 mm × 43 mm × 18 mm	30 mm × 30 mm	0.09 kg	1.8 W	24 VDC	SMR-03V-B	
MV-LBSS-H-30-30-R2	Red	≥ 1500 lux @ 100 mm	62 mm × 43 mm × 18 mm	30 mm × 30 mm	0.09 kg	1.7 W	24 VDC	SMR-03V-B	
MV-LBSS-H-50-30-W2	White	≥ 6000 lux @ 100 mm	82 mm × 43 mm × 18 mm	50 mm × 30 mm	0.1 kg	3.4 W	24 VDC	SMR-03V-B	
MV-LBSS-H-50-30-B2	Blue	≥ 1200 lux @ 100 mm	82 mm × 43 mm × 18 mm	50 mm × 30 mm	0.1 kg	2.7 W	24 VDC	SMR-03V-B	
MV-LBSS-H-50-30-R2	Red	≥ 2800 lux @ 100 mm	82 mm × 43 mm × 18 mm	50 mm × 30 mm	0.1 kg	2.4 W	24 VDC	SMR-03V-B	
MV-LBSS-H-50-50-W2	White	≥ 15000 lux @ 100 mm	82 mm × 63.2 mm × 18 mm	50 mm × 50 mm	0.15 kg	4.4 W	24 VDC	SMR-03V-B	
MV-LBSS-H-50-50-B2	Blue	≥ 2500 lux @ 100 mm	82 mm × 63.2 mm × 18 mm	50 mm × 50 mm	0.15 kg	3.7 W	24 VDC	SMR-03V-B	
MV-LBSS-H-50-50-R2	Red	≥ 3000 lux @ 100 mm	82 mm × 63.2 mm × 18 mm	50 mm × 50 mm	0.15 kg	3.2 W	24 VDC	SMR-03V-B	
MV-LBSS-H-80-80-W2	White	≥ 20000 lux @ 100 mm	112 mm × 93 mm × 18 mm	80 mm × 80 mm	0.2 kg	14.9 W	24 VDC	SMR-03V-B	
MV-LBSS-H-80-80-B2	Blue	≥ 4000 lux @ 100 mm	112 mm × 93 mm × 18 mm	80 mm × 80 mm	0.2 kg	11.3 W	24 VDC	SMR-03V-B	
MV-LBSS-H-80-80-R2	Red	≥ 3000 lux @ 100 mm	112 mm × 93 mm × 18 mm	80 mm × 80 mm	0.2 kg	10.8 W	24 VDC	SMR-03V-B	
MV-LBSS-H-100-100-W2	White	≥ 40000 lux @ 100 mm	132 mm × 113 mm × 18 mm	100 mm × 100 mm	0.3 kg	23 W	24 VDC	SMR-03V-B	
MV-LBSS-H-100-100-B2	Blue	≥ 7000 lux @ 100 mm	132 mm × 113 mm × 18 mm	100 mm × 100 mm	0.3 kg	18.2 W	24 VDC	SMR-03V-B	
MV-LBSS-H-100-100-R2	Red	≥ 7000 lux @ 100 mm	132 mm × 113 mm × 18 mm	100 mm × 100 mm	0.3 kg	17.2 W	24 VDC	SMR-03V-B	
MV-LBSS-H-120-120-W2	White	≥ 31000 lux @ 100 mm	152 mm × 133 mm × 18 mm	120 mm × 120 mm	0.4 kg	25.1 W	24 VDC	SMR-03V-B	
MV-LBSS-H-120-120-B2	Blue	≥ 6000 lux @ 100 mm	152 mm × 133 mm × 18 mm	120 mm × 120 mm	0.4 kg	19.5 W	24 VDC	SMR-03V-B	
MV-LBSS-H-120-120-R2	Red	≥ 5000 lux @ 100 mm	152 mm × 133 mm × 18 mm	120 mm × 120 mm	0.4 kg	16.9 W	24 VDC	SMR-03V-B	
MV-LBSS-H-150-100-W2	White	≥ 40000 lux @ 100 mm	182 mm × 113 mm × 18 mm	150 mm × 100 mm	0.45 kg	27.3 W	24 VDC	SMR-03V-B	
MV-LBSS-H-150-100-B2	Blue	≥ 8000 lux @ 100 mm	182 mm × 113 mm × 18 mm	150 mm × 100 mm	0.45 kg	19 W	24 VDC	SMR-03V-B	
MV-LBSS-H-150-100-R2	Red	≥ 13000 lux @ 100 mm	182 mm × 113 mm × 18 mm	150 mm × 100 mm	0.45 kg	20 W	24 VDC	SMR-03V-B	
MV-LBSS-H-150-150-W2	White	≥ 60000 lux @ 100 mm	182 mm × 163 mm × 18 mm	150 mm × 150 mm	0.5 kg	40 W	24 VDC	SMR-03V-B	
MV-LBSS-H-150-150-B2	Blue	≥ 12000 lux @ 100 mm	182 mm × 163 mm × 18 mm	150 mm × 150 mm	0.5 kg	32 W	24 VDC	SMR-03V-B	
MV-LBSS-H-150-150-R2	Red	≥ 18000 lux @ 100 mm	182 mm × 163 mm × 18 mm	150 mm × 150 mm	0.5 kg	27.9 W	24 VDC	SMR-03V-B	
MV-LBSS-H-200-200-W2	White	≥ 80000 lux @ 100 mm	232 mm × 213 mm × 18 mm	200 mm × 200 mm	0.8 kg	64.7 W	24 VDC	SMR-03V-B	
MV-LBSS-H-200-200-B2	Blue	≥ 14000 lux @ 100 mm	232 mm × 213 mm × 18 mm	200 mm × 200 mm	0.8 kg	55.2 W	24 VDC	SMR-03V-B	
MV-LBSS-H-200-200-R2	Red	≥ 18000 lux @ 100 mm	232 mm × 213 mm × 18 mm	200 mm × 200 mm	0.8 kg	48.6 W	24 VDC	SMR-03V-B	
MV-LBSS-H-250-150-W2	White	≥ 60000 lux @ 100 mm	282 mm × 163 mm × 19 mm	250 mm × 150 mm	0.8 kg	53.9 W	24 VDC	SMR-03V-B	
MV-LBSS-H-250-150-B2	Blue	≥ 10000 lux @ 100 mm	282 mm × 163 mm × 19 mm	250 mm × 150 mm	0.8 kg	40.7 W	24 VDC	SMR-03V-B	
MV-LBSS-H-250-150-R2	Red	≥ 13000 lux @ 100 mm	282 mm × 163 mm × 19 mm	250 mm × 150 mm	0.8 kg	38.3 W	24 VDC	SMR-03V-B	
MV-LBSS-H-250-250-W2	White	≥ 50000 lux @ 100 mm	282 mm × 263 mm × 19 mm	250 mm × 250 mm	1.1 kg	54.9 W	24 VDC	SMR-03V-B	
MV-LBSS-H-250-250-B2	Blue	≥ 8000 lux @ 100 mm	282 mm × 263 mm × 19 mm	250 mm × 250 mm	1.1 kg	45.1 W	24 VDC	SMR-03V-B	
MV-LBSS-H-250-250-R2	Red	≥ 10000 lux @ 100 mm	282 mm × 263 mm × 19 mm	250 mm × 250 mm	1.1 kg	41.2 W	24 VDC	SMR-03V-B	
MV-LBSS-H-300-200-W2	White	≥ 110000 lux @ 100 mm	332 mm × 213 mm × 19 mm	300 mm × 200 mm	1.4 kg	65.5 W	24 VDC	SMR-03V-B	
MV-LBSS-H-300-200-B2	Blue	≥ 16000 lux @ 100 mm	332 mm × 213 mm × 19 mm	300 mm × 200 mm	1.4 kg	49.6 W	24 VDC	SMR-03V-B	
MV-LBSS-H-300-200-R2	Red	≥ 25000 lux @ 100 mm	332 mm × 213 mm × 19 mm	300 mm × 200 mm	1.4 kg	37 W	24 VDC	SMR-03V-B	
MV-LBSS-H-300-300-W2	White	≥ 60000 lux @ 100 mm	338 mm × 315 mm × 21 mm	300 mm × 300 mm	2 kg	87.9 W	24 VDC	12M-2A	
MV-LBSS-H-300-300-B2	Blue	≥ 9000 lux @ 100 mm	338 mm × 315 mm × 21 mm	300 mm × 300 mm	2 kg	71.8 W	24 VDC	12M-2A	
MV-LBSS-H-300-300-R2	Red	≥ 19000 lux @ 100 mm	338 mm × 315 mm × 21 mm	300 mm × 300 mm	2 kg	64.4 W	24 VDC	12M-2A	

Specification

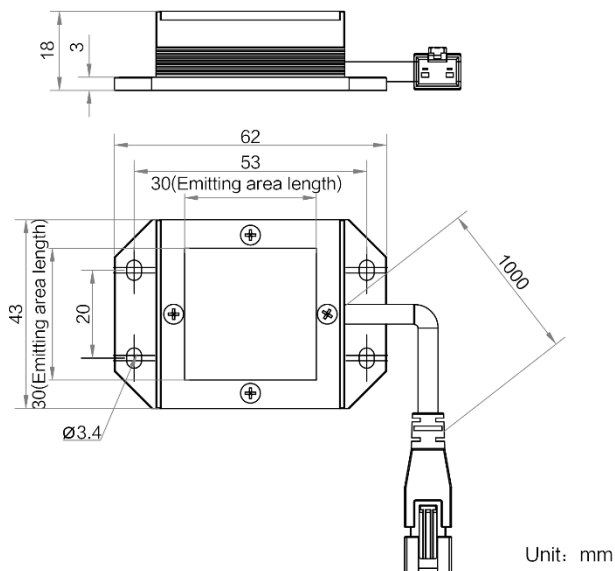
MV-LBSS-H-350-250-W2	White	≥ 60000 lux @ 100 mm	388 mm × 265 mm × 21 mm	350 mm × 250 mm	2 kg	87.4 W	24 VDC	12M-2A
MV-LBSS-H-350-250-B2	Blue	≥ 9000 lux @ 100 mm	388 mm × 265 mm × 21 mm	350 mm × 250 mm	2 kg	67.3 W	24 VDC	12M-2A
MV-LBSS-H-350-250-R2	Red	≥ 18000 lux @ 100 mm	388 mm × 265 mm × 21 mm	350 mm × 250 mm	2 kg	64.4 W	24 VDC	12M-2A
MV-LBSS-H-400-300-W2	White	≥ 65000 lux @ 100 mm	438 mm × 315 mm × 21 mm	400 mm × 300 mm	3 kg	124.9 W	24 VDC	12M-2A
MV-LBSS-H-400-300-B2	Blue	≥ 9000 lux @ 100 mm	438 mm × 315 mm × 21 mm	400 mm × 300 mm	3 kg	102.4 W	24 VDC	12M-2A
MV-LBSS-H-400-300-R2	Red	≥ 20000 lux @ 100 mm	438 mm × 315 mm × 21 mm	400 mm × 300 mm	3 kg	89.5 W	24 VDC	12M-2A

Other Parameters

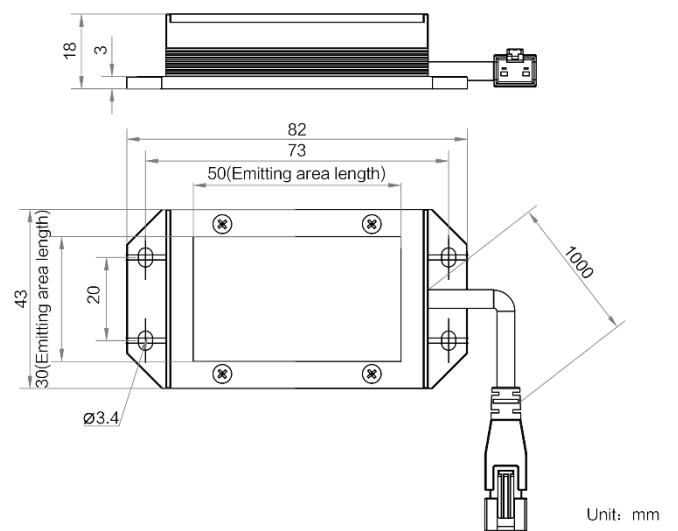
Model	MV-LBSS-H (V2.0)
Parameter	Standard Flat Light
Performance	
Wavelength	B: 470 nm R: 625 nm
Color temperature	W: 6000K to 7000K
Mechanical	
Cable length	1 m
Cooling mode	Natural cooling
Temperature	Working temperature: 0 °C to 40 °C (32 °F to 104 °F) Storage temperature: -20 °C to 60 °C (-4 °F to 140 °F)
Humidity	20% RH to 90% RH (no condensation)
Diffuse plate included	Included

Dimension

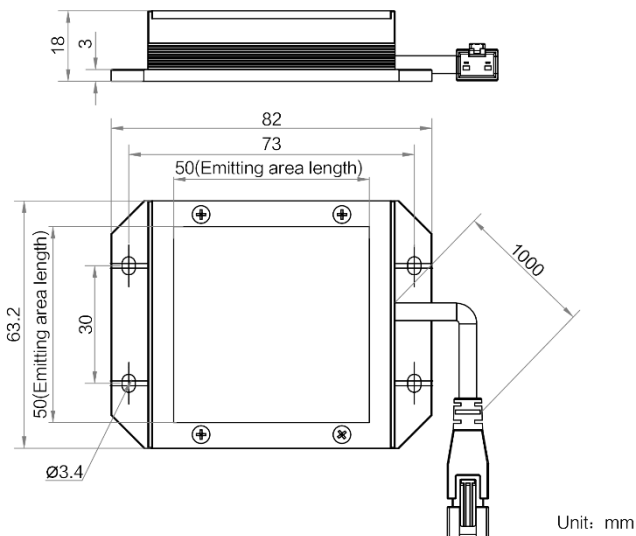
MV-LBSS-H-30-30-*2



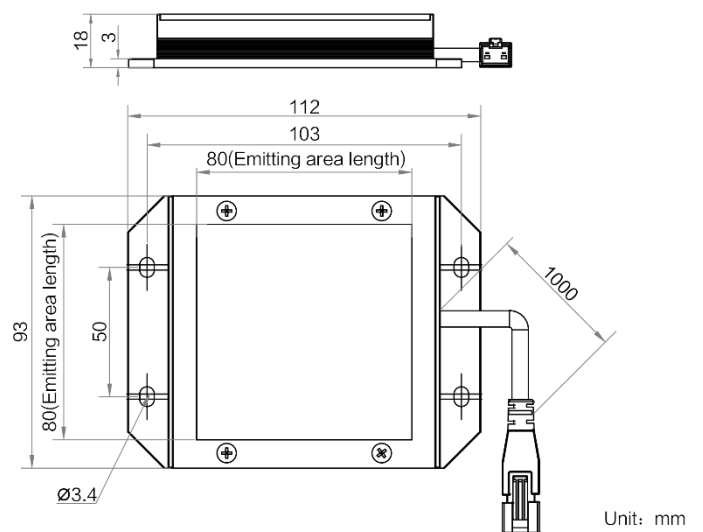
MV-LBSS-H-50-30-*2



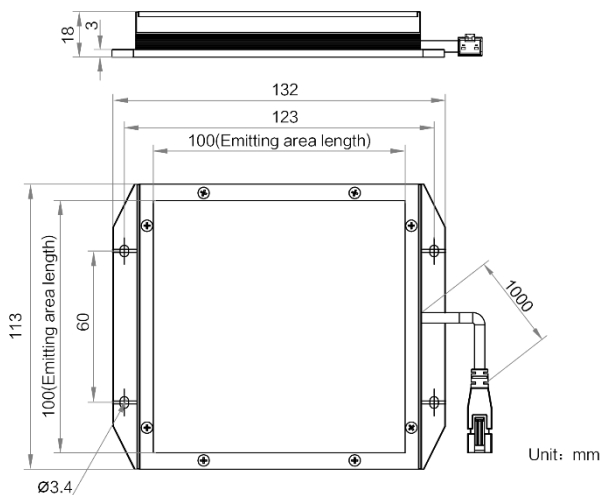
MV-LBSS-H-50-50-*2



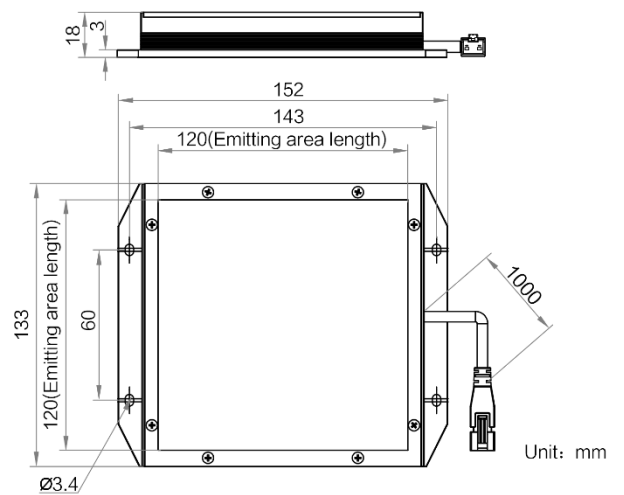
MV-LBSS-H-80-80-*2



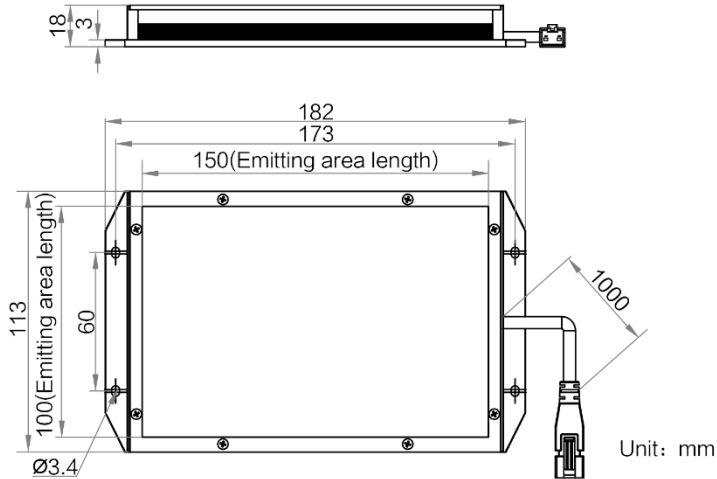
MV-LBSS-H-100-100-*2



MV-LBSS-H-120-120-*2

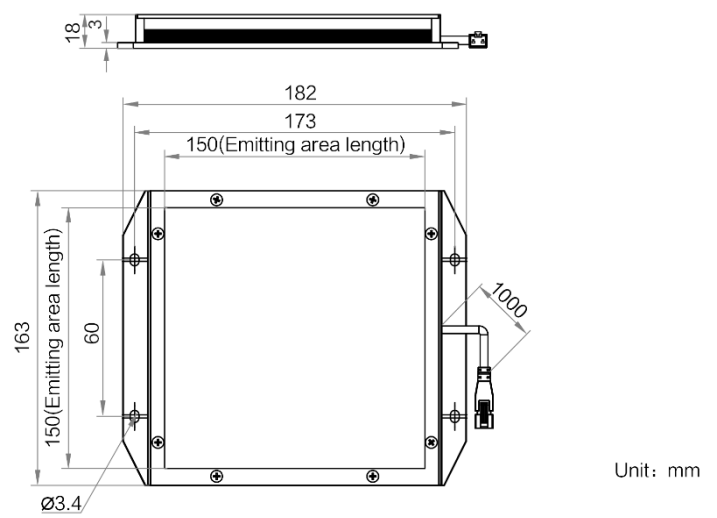


MV-LBSS-H-150-100-*2



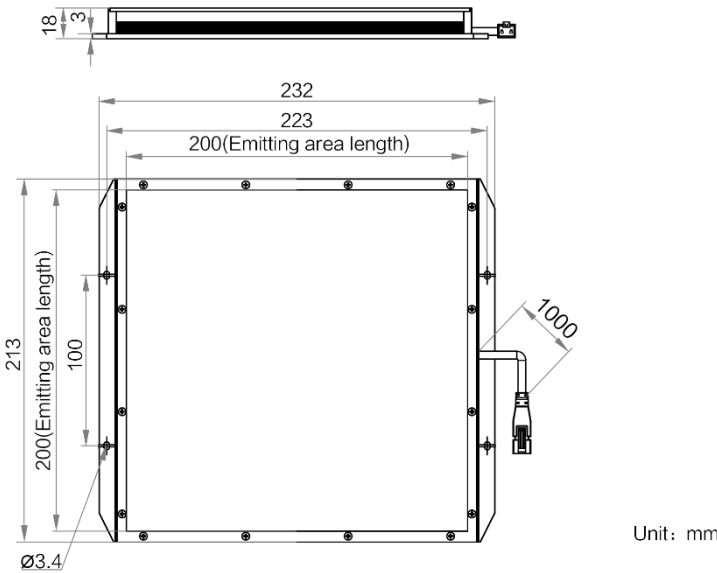
Unit: mm

MV-LBSS-H-150-150-*2



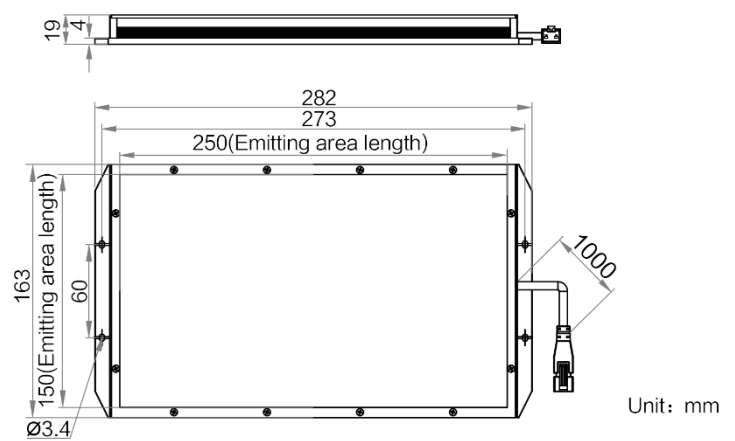
Unit: mm

MV-LBSS-H-200-200-*2



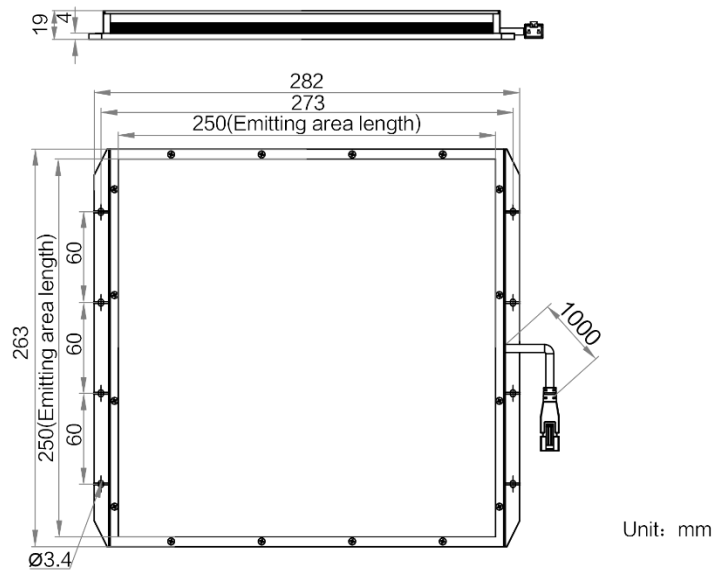
Unit: mm

MV-LBSS-H-250-150-*2



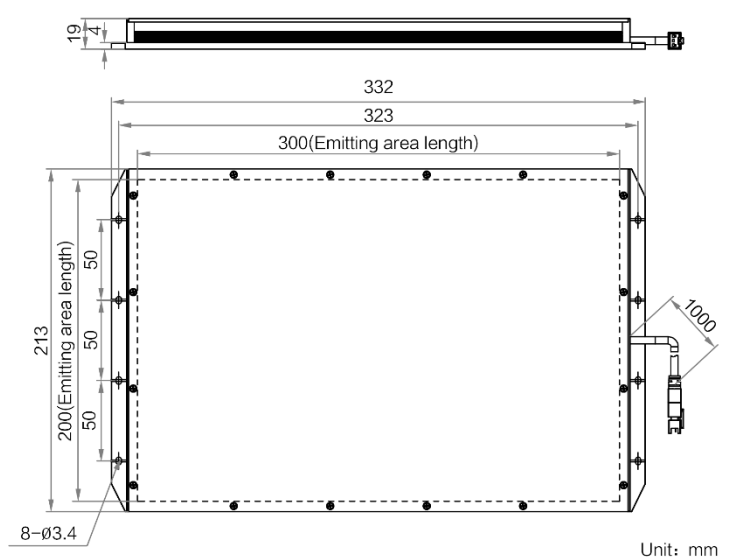
Unit: mm

MV-LBSS-H-250-250-*2



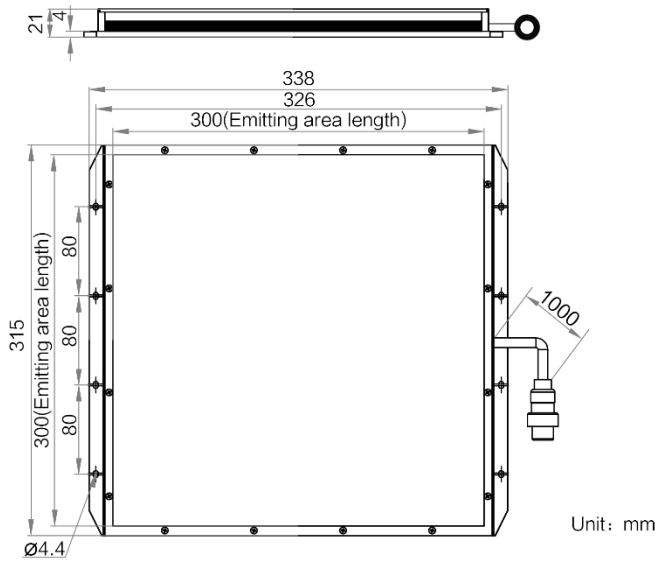
Unit: mm

MV-LBSS-H-300-200-*2

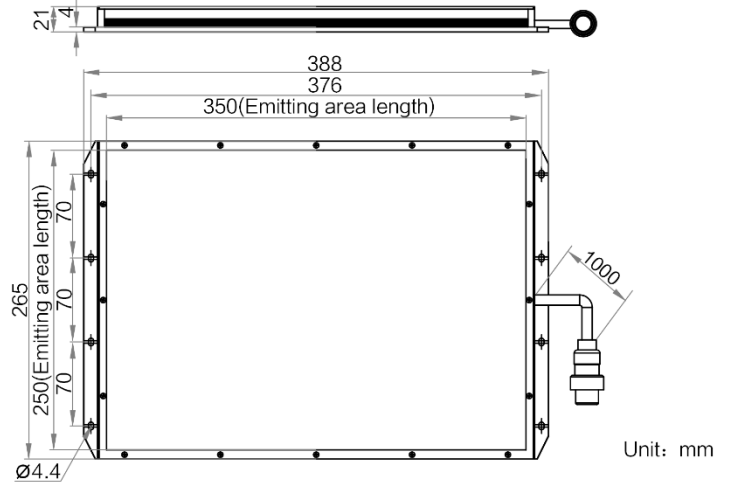


Unit: mm

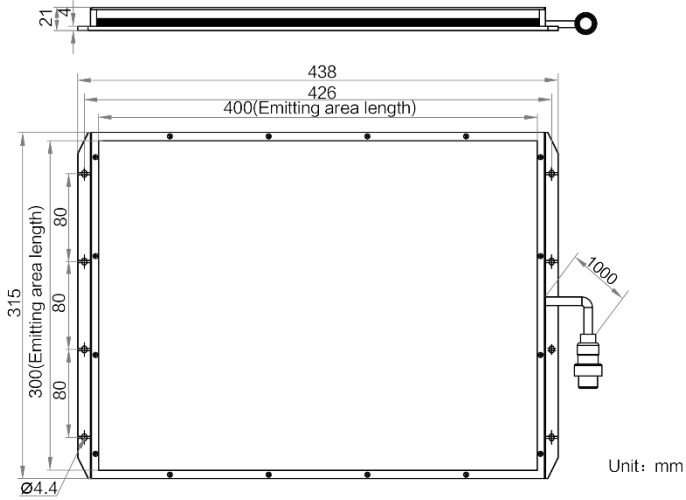
MV-LBSS-H-300-300-*2



MV-LBSS-H-350-250-*2



MV-LBSS-H-400-300-*2



HIKROBOT

Hangzhou Hikrobot Co. Ltd.
en.hikrobotics.com