

MV-LBES-H (V2.0)

Flat Light with Hole

MV-LBES-H (V2.0) flat light with hole, with opening design (circular hole/square hole) on the basis of standard flat light, achieves high brightness and uniform front lighting, which is available in models with a variety of dimensions.



Key Features

- Adopts high-density array LED design.
- Adopts middle opening design (circular hole/square hole) to achieve front lighting.
- Provides side mounting lugs to achieve flexible installation.

Naming Rule

MV - LBES - H - 50 - 50 - *2

LBES: flat light with hole

H: Hikrobot style

50 - 50: emitting area dimension (mm)

*****: color

2: version 2.0

Applicable Industry

Printing materials / surface defects of workpiece, character recognition, edge positioning of component contour, etc.

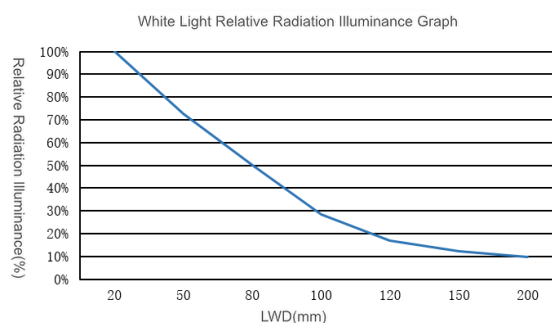
Illuminance Distribution

Image

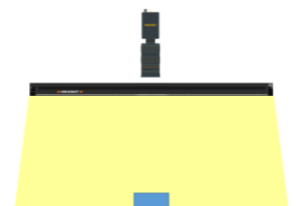


Relative Radiation Illuminance

Curve under White Light



Lighting



Specification

Model	Parameter	Performance		Mechanical			Electrical feature		
	Color	Center illuminance/irradiance	Dimension	Emitting area dimension	Bore dimension	Weight	Power	Input voltage	Connector type
MV-LBES-H-50-50-W2	White	≥ 1500 lux @ 200 mm	82 mm × 63.2 mm × 19 mm	50 mm × 50 mm	20 mm × 20 mm	0.2 kg	2.2 W	24 VDC	SMR-03V-B
MV-LBES-H-50-50-B2	Blue	≥ 300 lux @ 200 mm	82 mm × 63.2 mm × 19 mm	50 mm × 50 mm	20 mm × 20 mm	0.2 kg	2 W	24 VDC	SMR-03V-B
MV-LBES-H-50-50-R2	Red	≥ 500 lux @ 200 mm	82 mm × 63.2 mm × 19 mm	50 mm × 50 mm	20 mm × 20 mm	0.2 kg	1.7 W	24 VDC	SMR-03V-B
MV-LBES-H-100-100-W2	White	≥ 7000 lux @ 200 mm	132 mm × 113 mm × 18 mm	100 mm × 100 mm	Ø40 mm	0.3 kg	12 W	24 VDC	SMR-03V-B
MV-LBES-H-100-100-B2	Blue	≥ 1000 lux @ 200mm	132 mm × 113 mm × 18 mm	100 mm × 100 mm	Ø40 mm	0.3 kg	10.5 W	24 VDC	SMR-03V-B
MV-LBES-H-100-100-R2	Red	≥ 1200 lux @ 200mm	132 mm × 113 mm × 18 mm	100 mm × 100 mm	Ø40 mm	0.3 kg	8.8 W	24 VDC	SMR-03V-B
MV-LBES-H-120-120-W2	White	≥ 10000 lux @ 200 mm	152 mm × 133 mm × 18 mm	120 mm × 120 mm	Ø40 mm	0.4 kg	17.6 W	24 VDC	SMR-03V-B
MV-LBES-H-120-120-B2	Blue	≥ 1800 lux @ 200mm	152 mm × 133 mm × 18 mm	120 mm × 120 mm	Ø40 mm	0.4 kg	15.3 W	24 VDC	SMR-03V-B
MV-LBES-H-120-120-R2	Red	≥ 4000 lux @ 200mm	152 mm × 133 mm × 18 mm	120 mm × 120 mm	Ø40 mm	0.4 kg	13 W	24 VDC	SMR-03V-B
MV-LBES-H-150-150-W2	White	≥ 14000 lux @ 200 mm	182 mm × 163 mm × 18 mm	150 mm × 150 mm	Ø45 mm	0.5 kg	27.7 W	24 VDC	SMR-03V-B
MV-LBES-H-150-150-B2	Blue	≥ 2600 lux @ 200mm	182 mm × 163 mm × 18 mm	150 mm × 150 mm	Ø45 mm	0.5 kg	26.4 W	24 VDC	SMR-03V-B
MV-LBES-H-150-150-R2	Red	≥ 4000 lux @ 200mm	182 mm × 163 mm × 18 mm	150 mm × 150 mm	Ø45 mm	0.5 kg	19.5 W	24 VDC	SMR-03V-B
MV-LBES-H-200-200-W2	White	≥ 27000 lux @ 200 mm	232 mm × 213 mm × 18 mm	200 mm × 200 mm	Ø45 mm	0.8 kg	48 W	24 VDC	SMR-03V-B
MV-LBES-H-200-200-B2	Blue	≥ 5400 lux @ 200 mm	232 mm × 213 mm × 18 mm	200 mm × 200 mm	Ø45 mm	0.8 kg	41.4 W	24 VDC	SMR-03V-B
MV-LBES-H-200-200-R2	Red	≥ 6000 lux @ 200 mm	232 mm × 213 mm × 18 mm	200 mm × 200 mm	Ø45 mm	0.8 kg	34.1 W	24 VDC	SMR-03V-B
MV-LBES-H-250-150-W2	White	≥ 22000 lux @ 200 mm	282 mm × 163 mm × 19 mm	250 mm × 150 mm	Ø50 mm	0.8 kg	39.4 W	24 VDC	SMR-03V-B
MV-LBES-H-250-150-B2	Blue	≥ 4400 lux @ 200 mm	282 mm × 163 mm × 19 mm	250 mm × 150 mm	Ø50 mm	0.8 kg	34.7 W	24 VDC	SMR-03V-B
MV-LBES-H-250-150-R2	Red	≥ 5500 lux @ 200 mm	282 mm × 163 mm × 19 mm	250 mm × 150 mm	Ø50 mm	0.8 kg	30.8 W	24 VDC	SMR-03V-B
MV-LBES-H-250-200-W2	White	≥ 25000 lux @ 200 mm	282 mm × 213 mm × 19 mm	250 mm × 200 mm	Ø60 mm	1 kg	58.6 W	24 VDC	SMR-03V-B
MV-LBES-H-250-200-B2	Blue	≥ 5000 lux @ 200 mm	282 mm × 213 mm × 19 mm	250 mm × 200 mm	Ø60 mm	1 kg	48 W	24 VDC	SMR-03V-B
MV-LBES-H-250-200-R2	Red	≥ 6500 lux @ 200 mm	282 mm × 213 mm × 19 mm	250 mm × 200 mm	Ø60 mm	1 kg	45.7 W	24 VDC	SMR-03V-B
MV-LBES-H-250-250-W2	White	≥ 28000 lux @ 200 mm	282 mm × 263 mm × 19 mm	250 mm × 250 mm	Ø50 mm	1.1 kg	55.2 W	24 VDC	SMR-03V-B
MV-LBES-H-250-250-B2	Blue	≥ 5500 lux @ 200 mm	282 mm × 263 mm × 19 mm	250 mm × 250 mm	Ø50 mm	1.1 kg	48.3 W	24 VDC	SMR-03V-B
MV-LBES-H-250-250-R2	Red	≥ 6000 lux @ 200 mm	282 mm × 263 mm × 19 mm	250 mm × 250 mm	Ø50 mm	1.1 kg	42.5 W	24 VDC	SMR-03V-B
MV-LBES-H-300-200-W2	White	≥ 27000 lux @ 200 mm	332 mm × 213 mm × 19 mm	300 mm × 200 mm	Ø50 mm	1.2 kg	54.6 W	24 VDC	SMR-03V-B
MV-LBES-H-300-200-B2	Blue	≥ 5400 lux @ 200 mm	332 mm × 213 mm × 19 mm	300 mm × 200 mm	Ø50 mm	1.2 kg	46.7 W	24 VDC	SMR-03V-B
MV-LBES-H-300-200-R2	Red	≥ 7000 lux @ 200 mm	332 mm × 213 mm × 19 mm	300 mm × 200 mm	Ø50 mm	1.2 kg	45.9 W	24 VDC	SMR-03V-B
MV-LBES-H-300-300-W2	White	≥ 30000 lux @ 200 mm	338 mm × 315 mm × 21 mm	300 mm × 300 mm	80 mm × 80 mm	2 kg	81.6 W	24 VDC	12M-2A
MV-LBES-H-300-300-B2	Blue	≥ 6000 lux @ 200mm	338 mm × 315 mm × 21 mm	300 mm × 300 mm	80 mm × 80 mm	2 kg	65.2 W	24 VDC	12M-2A
MV-LBES-H-300-300-R2	Red	≥ 9000 lux @ 200mm	338 mm × 315 mm × 21 mm	300 mm × 300 mm	80 mm × 80 mm	2 kg	60.2 W	24 VDC	12M-2A
MV-LBES-H-400-300-W2	White	≥ 30000 lux @ 200 mm	438 mm × 315 mm × 21 mm	400 mm × 300 mm	Ø50 mm	2.7 kg	92.1 W	24 VDC	12M-2A
MV-LBES-H-400-300-B2	Blue	≥ 6000 lux @ 200mm	438 mm × 315 mm × 21 mm	400 mm × 300 mm	Ø50 mm	2.7 kg	75 W	24 VDC	12M-2A
MV-LBES-H-400-300-R2	Red	≥ 9000 lux @ 200mm	438 mm × 315 mm × 21 mm	400 mm × 300 mm	Ø50 mm	2.7 kg	63.4 W	24 VDC	12M-2A
MV-LBES-H-450-320-W2	White	≥ 16000 lux @ 600 mm	488 mm × 335 mm × 21 mm	450 mm × 320 mm	Ø70 mm	3.2 kg	218.3 W	24 VDC	Dual-channel 19M-2A
MV-LBES-H-450-320-B2	Blue	≥ 3000 lux @ 600 mm	488 mm × 335 mm × 21 mm	450 mm × 320 mm	Ø70 mm	3.2 kg	170.5 W	24 VDC	Dual-channel 19M-2A
MV-LBES-H-450-320-R2	Red	≥ 5500 lux @ 600 mm	488 mm × 335 mm × 21 mm	450 mm × 320 mm	Ø70 mm	3.2 kg	162.1 W	24 VDC	Dual-channel 19M-2A
MV-LBES-H-600-400-W2	White	≥ 13000 lux @ 600 mm	676 mm × 430 mm × 25 mm	600 mm × 400 mm	Ø50 mm	7.2 kg	194 W	24 VDC	Dual-channel 19M-2A
MV-LBES-H-600-400-B2	Blue	≥ 2000 lux @ 600 mm	676 mm × 430 mm × 25 mm	600 mm × 400 mm	Ø50 mm	7.2 kg	152.3 W	24 VDC	Dual-channel 19M-2A
MV-LBES-H-600-400-R2	Red	≥ 4000 lux @ 600 mm	676 mm × 430 mm × 25 mm	600 mm × 400 mm	Ø50 mm	7.2 kg	137.3 W	24 VDC	Dual-channel 19M-2A

Specification

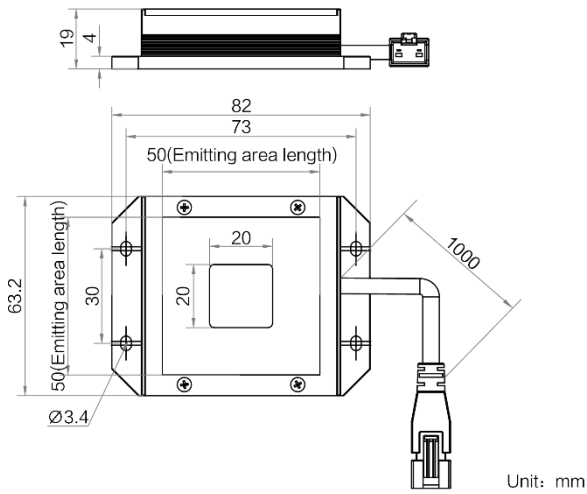
MV-LBES-H-620-620-W2	White	≥ 18000 lux @ 600 mm	696 mm × 650 mm × 25 mm	620 mm × 620 mm	Ø50 mm	10 kg	298.8 W	24 VDC	Dual-channel 19M-2A
MV-LBES-H-620-620-B2	Blue	≥ 3500 lux @ 600 mm	696 mm × 650 mm × 25 mm	620 mm × 620 mm	Ø50 mm	10 kg	233.9 W	24 VDC	Dual-channel 19M-2A
MV-LBES-H-620-620-R2	Red	≥ 50000 lux @ 600 mm	696 mm × 650 mm × 25 mm	620 mm × 620 mm	Ø50 mm	10 kg	237.1 W	24 VDC	Dual-channel 19M-2A

Other Parameters

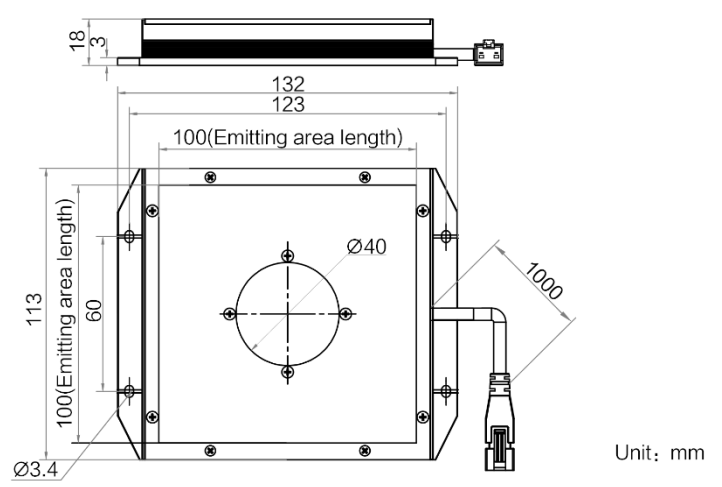
Model	MV-LBES-H (V2.0)
Parameter	Flat Light with Hole
Performance	
Wavelength	B: 470 nm R: 625 nm
Color temperature	W: 6000K to 7000K
Mechanical	
Cable length	1 m
Cooling mode	Natural cooling
Temperature	Working temperature: 0 °C to 40 °C (32 °F to 104 °F) Storage temperature: -20 °C to 60 °C (-4 °F to 140 °F)
Humidity	20% RH to 90% RH (no condensation)
Diffuse plate included	Included

Dimension

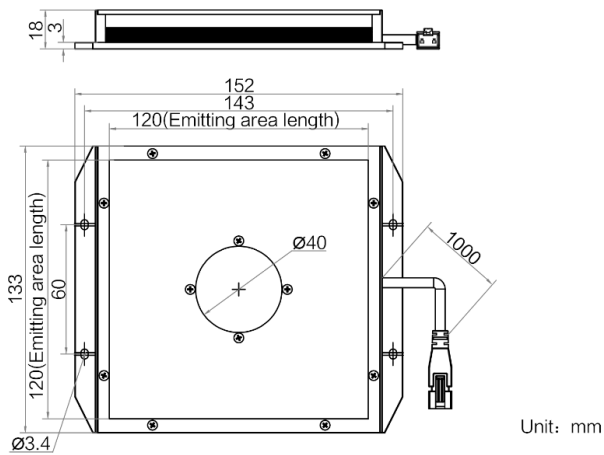
MV-LBES-H-50-50-*2



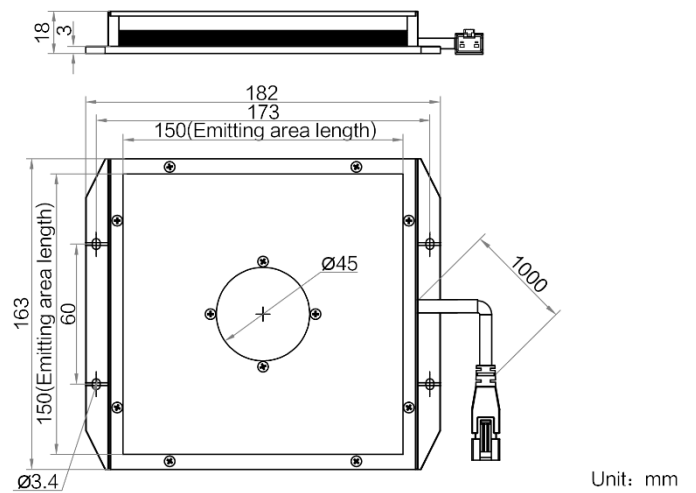
MV-LBES-H-100-100-*2



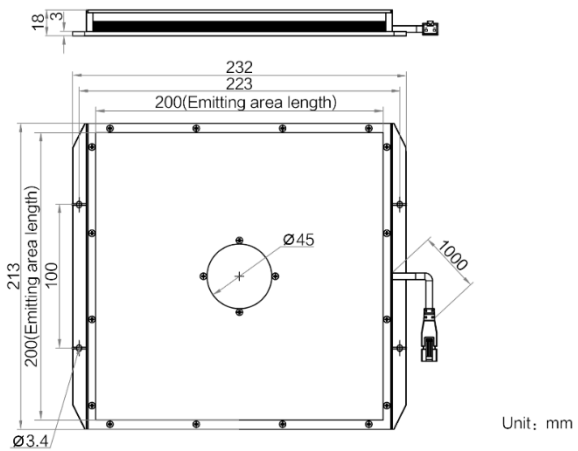
MV-LBES-H-120-120-*2



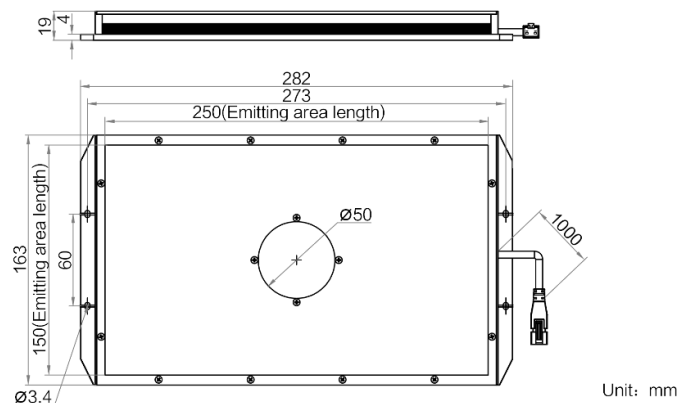
MV-LBES-H-150-150-*2



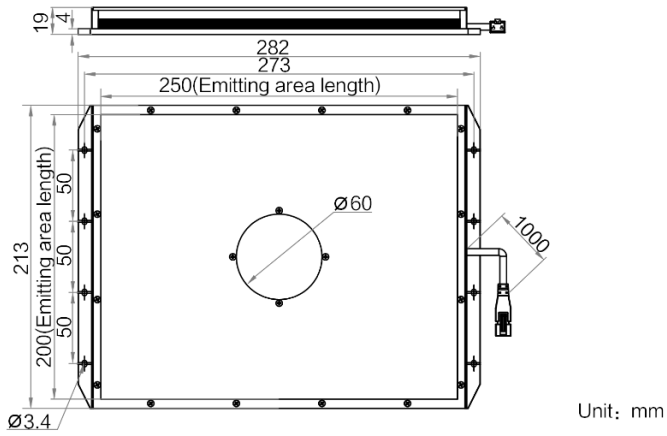
MV-LBES-H-200-200-*2



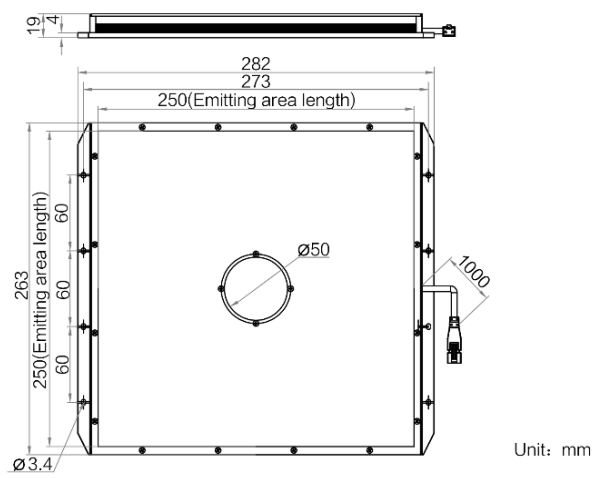
MV-LBES-H-250-150-*2



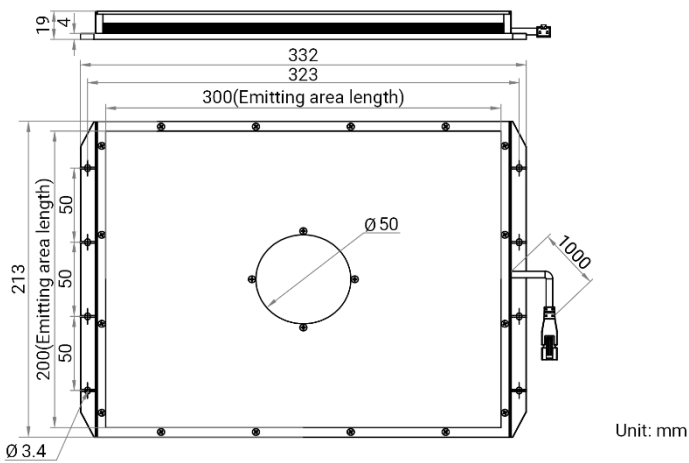
MV-LBES-H-250-200-*2



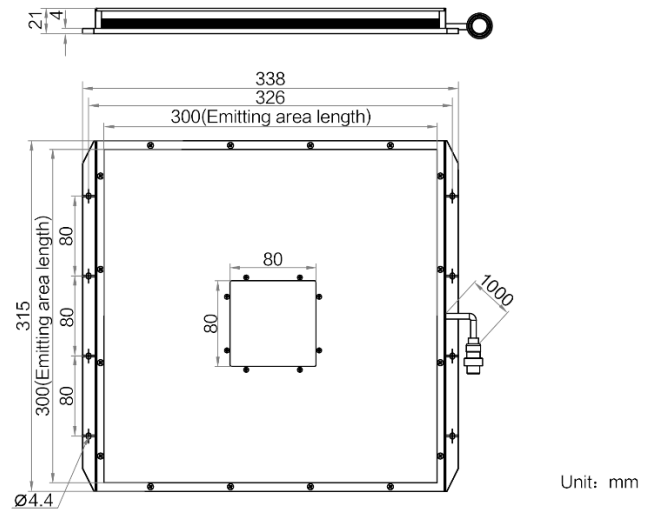
MV-LBES-H-250-250-*2



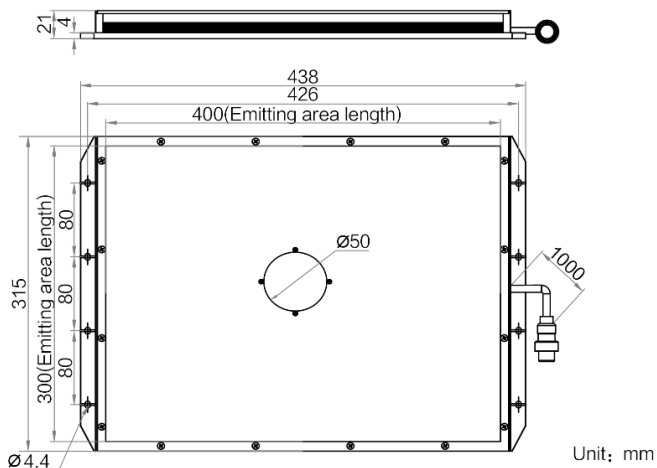
MV-LBES-H-300-200-*2



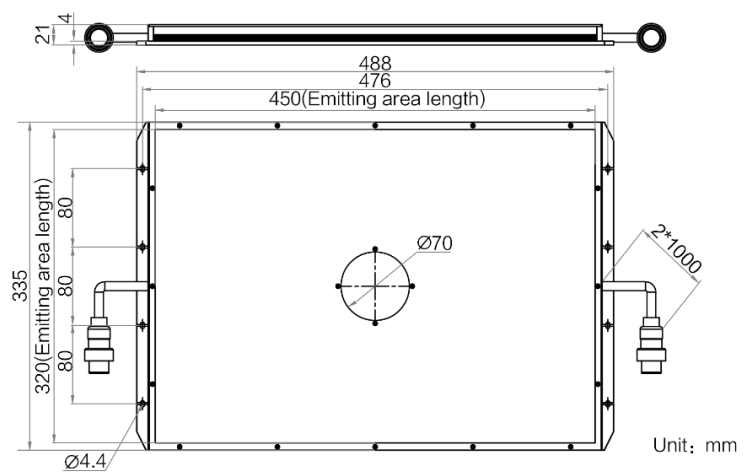
MV-LBES-H-300-300-*2



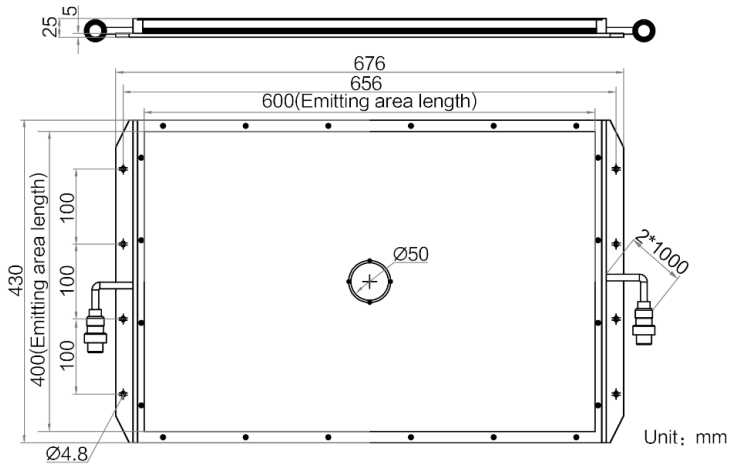
MV-LBES-H-400-300-*2



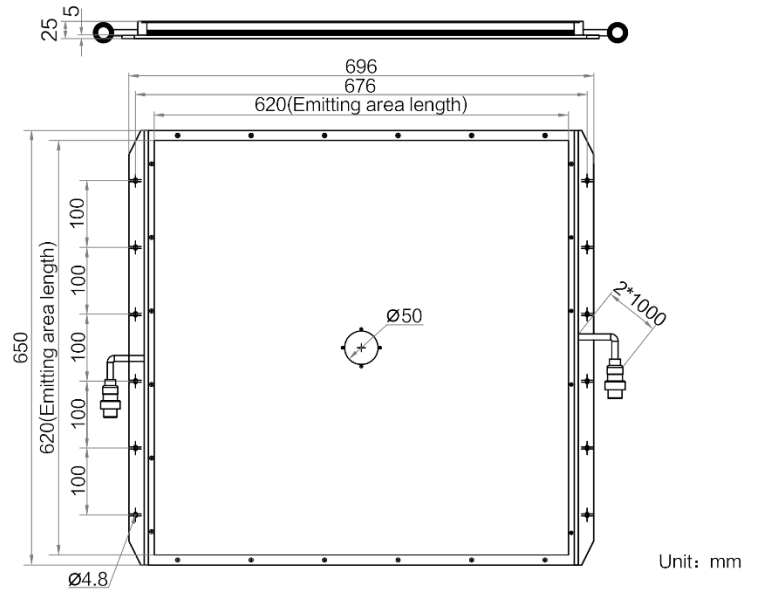
MV-LBES-H-450-320-*2



MV-LBES-H-600-400-*2



MV-LBES-H-620-620-*2



HIKROBOT

Hangzhou Hikrobot Co. Ltd.
en.hikrobotics.com