

MV-GS1000F

XoF Fiber Port Frame Grabber



Introduction

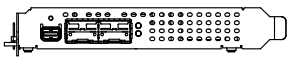
MV-GS1000F series fiber port frame grabber adopts XoFLink protocol, and its SFP+ interfaces can be connected to 4 cameras at most via its pluggable SFP+ modules and 2LC optical fiber patch cord. The frame grabber provides a link bandwidth up to 10 Gbps per channel and supports cameras with optical fiber trigger function. It offers advantages like high speed, fast response, durability, and stability.

Key Feature

- Supports XoFLink protocol with multiple fiber ports to transmit data.
- Utilizes PCI-E gen3 × 4 and provides a link bandwidth up to 10 Gbps per channel.
- Various indicators indicate frame grabber status in real time.
- Adopts multiple I/O connectors for input and output.
- Provides SDK for secondary development.

Dimension

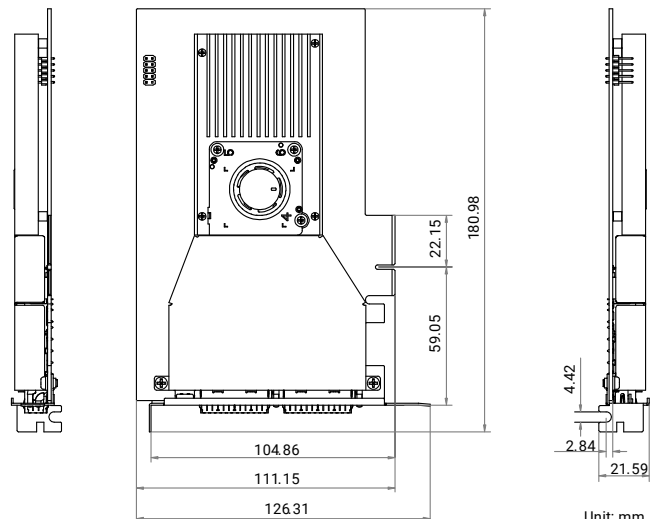
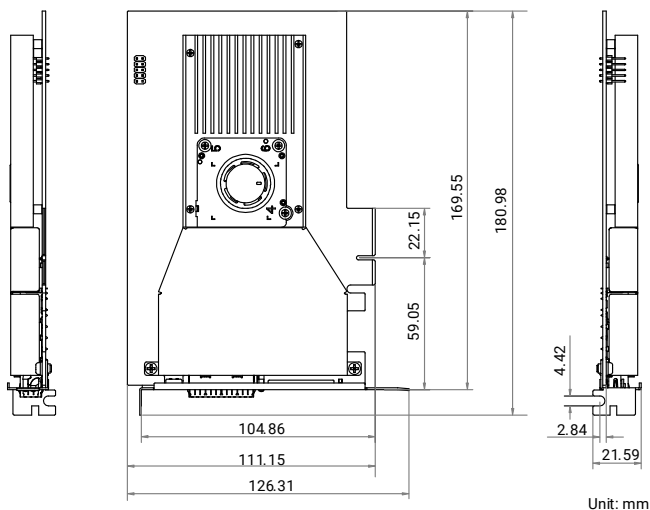
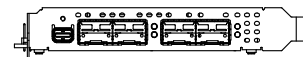
MV-GS1002F



Available Model

- MV-GS1002F
- MV-GS1004F

MV-GS1004F



Specification

Model	MV-GS1002F	MV-GS1004F
Memory		
On-board memory	2 GB DDR4	
Host interface		
Interconnect	PCI-E gen3 × 4	
Delivery bandwidth	4000 MB/s (max. transmission bandwidth) 3200 MB/s (sustained transmission bandwidth)	
Bus indicator	1	
Camera interface		
Standard	XoFLink	
SFP+ module	SFP+ × 2	SFP+ × 4
Data interface	2LC fiber port	
Camera quantity supported	1/2	1/2/3/4
Camera connection speed	10 Gbps for single port, 20 Gbps in total	10 Gbps for single port, 27 Gbps in total
Stream	2 at most	4 at most
Stream indicator	2 pairs	4 pairs
GPIO		
I/O Type	Provides 11 configurable I/O connectors, compatible with single-ended/differential signals, and supports cascading of multiple frame grabbers. <ul style="list-style-type: none"> I/O on bracket: Line 0 to Line 7 supports input (3.3 V to 24 V) and output (max. 24 V) I/O on PCB: Line 8 to Line 10 supports input (3.3 V to 12 V) and output (3.3 V) 	
Connector	<ul style="list-style-type: none"> Connector of I/O on bracket: 20-pin MiniDP female connector Connector of I/O on PCB: 9-pin header (2.54 mm interval, 2 × 5, 10-pin hole) 	
Electrical feature		
Power consumption	Typ. 9.8 W	Typ. 12.8 W
Mechanical		
Dimension	181 mm × 126.3 mm × 21.6 mm (7.1" × 5.0" × 0.9")	
Temperature	Working temperature: 0 °C to 60 °C (32 °F to 140 °F) Storage temperature: -20 °C to 70 °C (-4 °F to 158 °F)	
Humidity	10% RH to 95% RH (no condensation)	
General		
Client software	MVS	
Operating system	Windows 7/10/11, Ubuntu 16.04 to 22.04 on Linux	
Certification	CE, KC, RoHS	