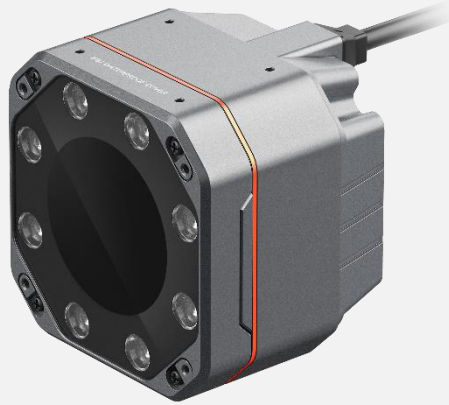


MV-CT2M/CG0032/G/16LC/WN

Lens Cap



Introduction

MV-CT2M/CG0032/G/16LC/WN Lens Cap provides IP67 waterproof and dustproof protection for the lenses and light sources of CT series MAX version industrial cameras, and supports integration control of lens and light source. Also, the embedded light board is controlled by the camera. When paired with IP67-rated cables, it can withstand harsh industrial environments, ensuring reliable operation of the camera in the presence of dust, dirt, or water. Multiple specifications of liquid lenses are available to accommodate different autofocus scenarios.

Naming Rules

MV-CT2M/CG0032/G/16LC/WN

2: MAX version

16: focal length (mm)

L: liquid lens

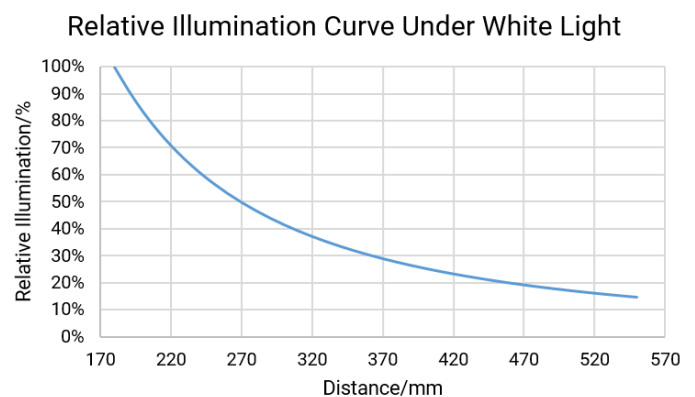
C: C-mount

W: white light

Key Features

- Provides IP67 protection (under proper installation of lens, lens cap, and cable).
- Supports C-mount liquid lenses.
- Provides the light board.
- Supports camera resolutions of up to 20 MP and sensor sizes of up to 1.1 inches.

Relative Illumination Curve Under White Light

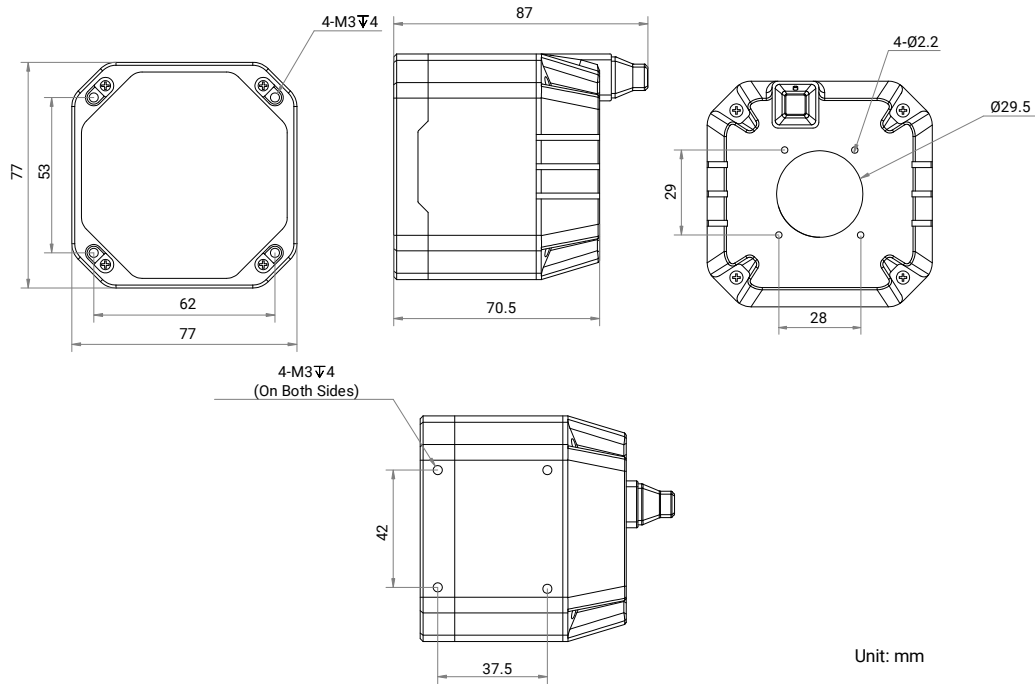


Specification

Model	MV-CT2M/CG0032/G/16LC/WN
Device compatibility	
Camera type supported	CT Series Area Scan Cameras (MAX version)
Light source	
Color	White
Color temperature	6000 K to 9000 K
Bore dimension	Ø38.5 mm
Irradiation angle	90° (to the horizontal direction)
Power	Approx. 7.7 W
Mechanical	
Outer length	70.5 mm
Inner length	66 mm
Weight	330 g (0.7 lb.)
Ingress protection	IP67(under proper installation of lens, lens cap, and cable)
Temperature	Working temperature: 0 °C to 40 °C (-22 °F to 104 °F) Storage temperature: -30 °C to 80 °C (-22 °F to 176 °F)
Humidity	20% RH to 95% RH (no condensation)

Dimension

Lens Cap



MV-CT2M/CG0032/G/16LC/WN (Camera and Lens Cap)

