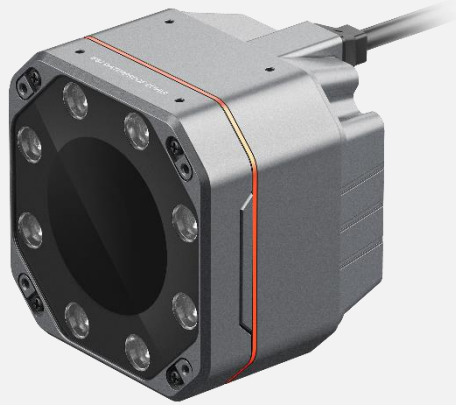


# MV-CT2M/CG0200/R/16LC/WN

## Lens Cap



## Introduction

MV-CT2M/CG0200/R/16LC/WN Lens Cap provides IP67 waterproof and dustproof protection for the lenses and light sources of CT series MAX version industrial cameras, and supports integration control of lens and light source. Also, the embedded light board is controlled by the camera. When paired with IP67-rated cables, it can withstand harsh industrial environments, ensuring reliable operation of the camera in the presence of dust, dirt, or water. Multiple specifications of liquid lenses are available to accommodate different autofocus scenarios.

## Naming Rules

### MV-CT2M/CG0200/R/16LC/WN

2: MAX version

16: focal length (mm)

L: liquid lens

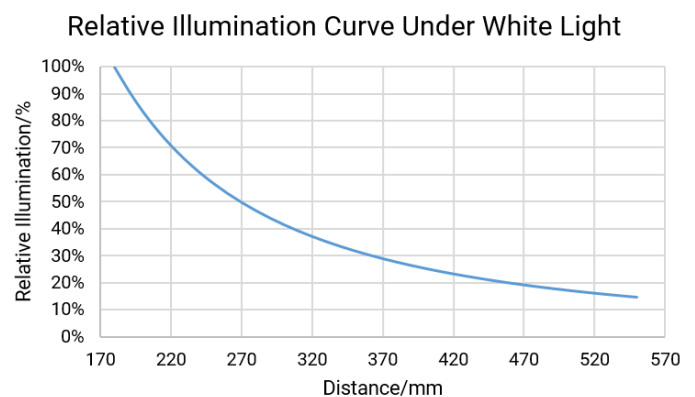
C: C-mount

W: white light

## Key Features

- Provides IP67 protection (under proper installation of lens, lens cap, and cable).
- Supports C-mount liquid lenses.
- Provides the light board.
- Supports camera resolutions of up to 20 MP and sensor sizes of up to 1.1 inches.

## Relative Illumination Curve Under White Light

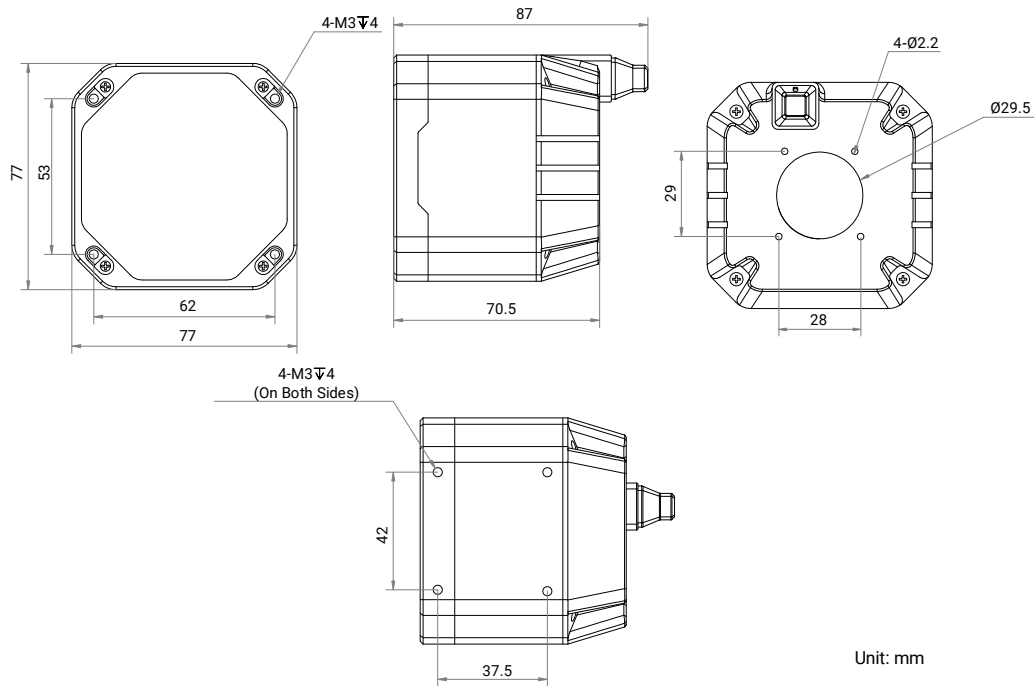


## Specification

<b>Model</b>	<b>MV-CT2M/CG0200/R/16LC/WN</b>
<b>Device compatibility</b>	
<b>Camera type supported</b>	CT Series Area Scan Cameras (MAX version)
<b>Light source</b>	
<b>Color</b>	White
<b>Color temperature</b>	6000 K to 9000 K
<b>Bore dimension</b>	Ø38.5 mm
<b>Irradiation angle</b>	90° (to the horizontal direction)
<b>Power</b>	Approx. 7.7 W
<b>Mechanical</b>	
<b>Outer length</b>	70.5 mm
<b>Inner length</b>	66 mm
<b>Weight</b>	330 g (0.7 lb.)
<b>Ingress protection</b>	IP67 (under proper installation of lens, lens cap, and cable)
<b>Temperature</b>	Working temperature: 0 °C to 40 °C (−22 °F to 104 °F) Storage temperature: −30 °C to 80 °C (−22 °F to 176 °F)
<b>Humidity</b>	20% RH to 95% RH (no condensation)

**Dimension**

**Lens Cap**



**MV-CT2M/CG0200/R/16LC/WN (Camera and Lens Cap)**

