

MV-CS200-10UM/UC V5

20 MP 1" CMOS USB3.0 Area Scan Camera



GEN*i*CAM

USBTM
VISION

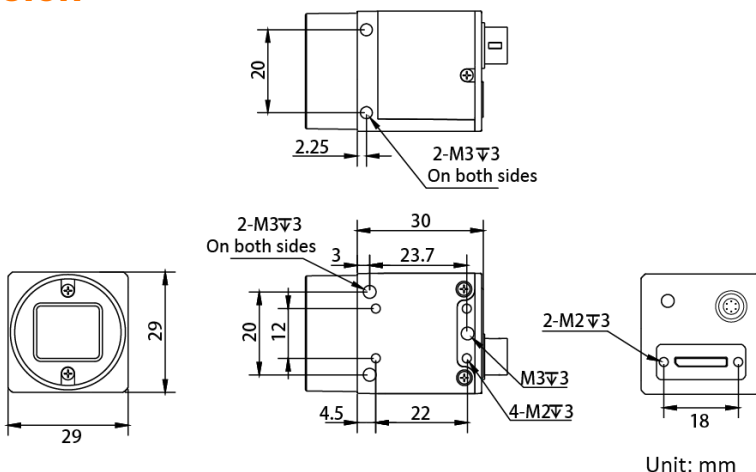
Introduction

MV-CS200-10UM/UC V5 camera adopts Sony® IMX183 sensor to provide high-quality images. It uses USB3.0 interface to transmit non-compressed images in real time, and its max. frame rate can reach 19.2 fps in full resolution.

Key Feature

- Supports auto or manual adjustment of gain, exposure time, white balance, Gamma, and LUT correction, etc.
- Supports customer ROI, horizontal mirroring, and vertical mirroring.
- Supports software trigger, hardware trigger (differential encoder), and free run mode.
- Compatible with USB3 Vision Protocol, GenICam Standard, and the third-party software based on the protocol and standard.
- Compact design with mounting holes on panels for flexible mounting from 4 sides.

Dimension



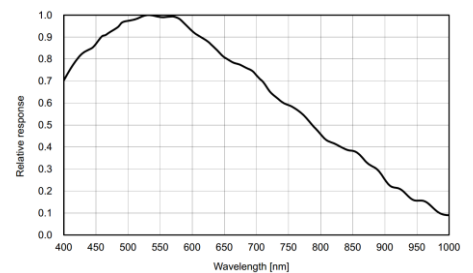
Available Model

- Mono camera: MV-CS200-10UM V5
- Color camera: MV-CS200-10UC V5

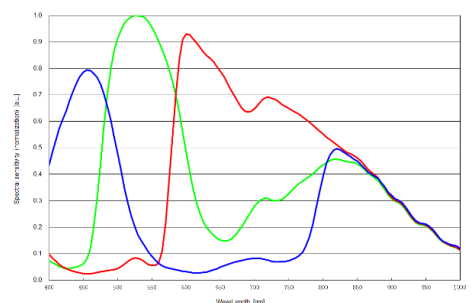
Applicable Industry

Electronic semiconductor, factory automation, pharmaceutical packaging, image measurement, etc.

Sensor Quantum Efficiency



MV-CS200-10UM V5



MV-CS200-10UC V5

Specification

Model	MV-CS200-10UM V5	MV-CS200-10UC V5
Performance		
Sensor type	CMOS, rolling shutter	
Sensor model	Sony® IMX183	
Pixel size	2.4 μm × 2.4 μm	
Sensor size	1"	
Resolution	5472 × 3648	
Max. frame rate	19.2 fps @ 5472 × 3648 Mono 8	19.2 fps @ 5472 × 3648 Bayer GB 8
Dynamic range	65.5 dB	
SNR	41.5 dB	
Gain	0 dB to 24 dB	
Exposure time	14 μs to 0.86 sec	
Exposure mode	Off/Once/Continuous exposure mode, supports Rolling Shutter and Global Reset	
Mono/color	Mono	Color
Pixel format	Mono 8/10/10Packed/12/12Packed	Mono 8, Bayer GB 8/10/10Packed/12/12Packed, YUV422Packed, YUV422_YUYV_Packed, RGB 8, BGR 8
Binning	Supports 1 × 1, 2 × 2, 4 × 4	
Decimation	Supports 1 × 1, 2 × 2, 4 × 4	
Reverse image	Supports horizontal and vertical reverse image output	
Electrical feature		
Data interface	USB3.0, compatible with USB2.0	
Digital I/O	6-pin P7 connector provides power and I/O, including opto-isolated input × 1 (Line 0), opto-isolated output × 1 (Line 1), bi-directional non-isolated I/O × 1 (Line 2)	
Power supply	9 VDC to 24 VDC, supports USB power supply	
Power consumption	Typ. 1.6 W @ 5 VDC (USB3.0 provides power supply)	Typ. 1.7 W @ 5 VDC (USB3.0 provides power supply)
Mechanical		
Lens mount	C-mount	
Dimension	29 mm × 29 mm × 30 mm (1.1" × 1.1" × 1.2")	
Weight	Approx. 80 g (0.18 lb.)	
Ingress protection	IP40 (under proper lens installation and wiring)	
Temperature	Working temperature: -30 °C to 60 °C (-22 °F to 140 °F) Storage temperature: -30 °C to 80 °C (-22 °F to 176 °F)	
Humidity	20% RH to 95% RH (no condensation)	
General		
Client software	MVS or third-party software meeting with USB3.0 Vision Protocol	
Operating system	32/64-bit Windows 7/10, 64-bit Windows 11, and 32/64-bit Linux	
Compatibility	USB3 Vision, GenICam	
Certification	CE, RoHS, KC	