

MV-CS120-10UM/UC

12 MP CMOS USB 3.0 Area Scan Camera



GEN*i*CAM

USBTM
VISION

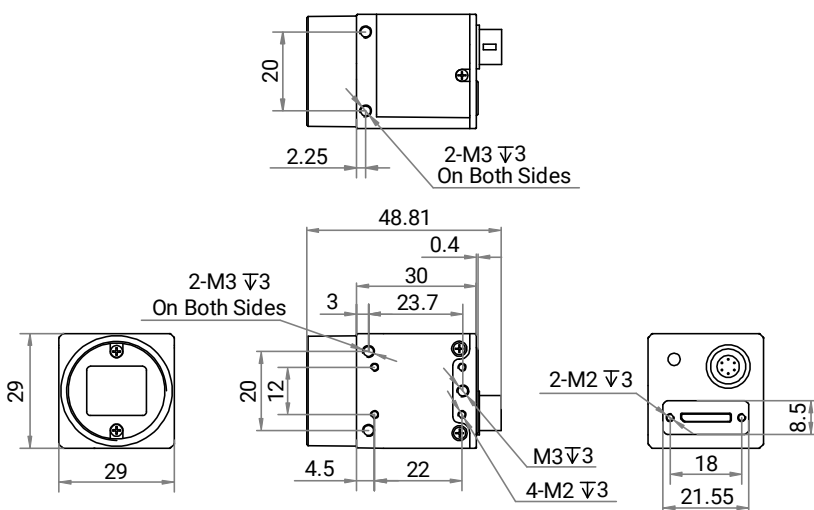
Introduction

MV-CS120-10UM/UC camera adopts Sony® IMX226 sensor to provide high-quality images. It uses USB3.0 interface to transmit images in real time, and its max. frame rate can reach 29.4 fps in full resolution.

Key Feature

- Adopts brand new design to reduce power consumption.
- Supports auto or manual adjustment for gain, exposure time, white balance, LUT, and Gamma correction.
- Compact design with mounting holes on panels for flexible mounting from 4 sides.
- Compatible with USB3 Vision Protocol, GeniCam Standard, and the third-party software based on the protocol and standard.

Dimension



Unit: mm

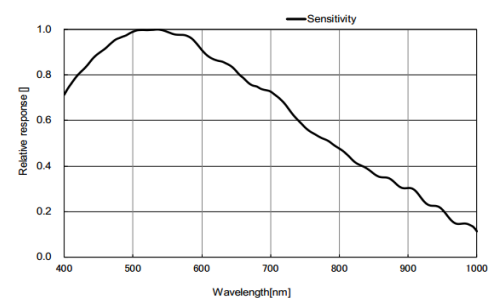
Available Model

- Mono camera: MV-CS120-10UM
- Color camera: MV-CS120-10UC

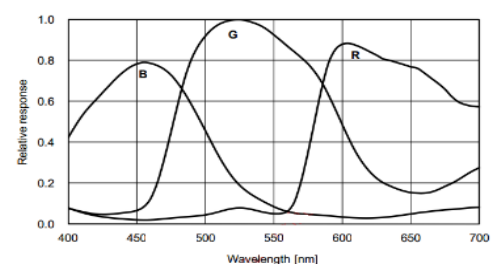
Applicable Industry

Electronic semiconductor, factory automation, logistics code reading, bottle inspection, medicine packing, etc.

Sensor Quantum Efficiency



MV-CS120-10UM



MV-CS120-10UC

Model	MV-CS120-10UM	MV-CS120-10UC
Performance		
Sensor type	CMOS, rolling shutter	
Sensor model	Sony® IMX226	
Pixel size	1.85 μm × 1.85 μm	
Sensor size	1/1.7"	
Resolution	4024 × 3036	
Max. frame rate	29.4 fps @ 4024 × 3036 Mono 8	29.4 fps @ 4024 × 3036 Bayer RG 8
Dynamic range	70.5 dB	
SNR	40.5 dB	
Gain	0 dB to 24 dB	
Exposure time	12 μs to 1 sec	
Exposure mode	Off/Once/Continuous exposure mode, supports Global Reset and Rolling	
Mono/color	Mono	Color
Pixel format	Mono 8/10/10Packed/12/12Packed	Mono 8 Bayer RG 8/10/10Packed/12/12Packed YUV422Packed, YUV422_YUYV_Packed RGB 8, BGR 8
Binning	Supports 1 × 1, 2 × 2, 4 × 4	
Decimation	Supports 1 × 1, 2 × 2, 4 × 4	
Reverse image	Supports horizontal and vertical reverse image output	
Electrical feature		
Data interface	USB 3.0, compatible with USB 2.0	
Digital I/O	6-pin P7 connector provides power and I/O, including opto-isolated input × 1 (Line 0), opto-isolated output × 1 (Line 1), and bi-directional non-isolated I/O × 1 (Line 2).	
Power supply	9 VDC to 24 VDC, supports USB 3.0 power supply	
Power consumption	Typ. 1.4 W @ 5 VDC (USB 3.0 provides power supply)	Typ. 1.5 W @ 5 VDC (USB 3.0 provides power supply)
Mechanical		
Lens mount	C-mount	
Dimension	29 mm × 29 mm × 30 mm (1.1" × 1.1" × 1.2")	
Weight	Approx. 80 g (0.2 lb.)	
Ingress protection	IP40 (under proper lens installation and wiring)	
Temperature	Working temperature: -30 °C to 60 °C (-22 °F to 140 °F) Storage temperature: -30 °C to 80 °C (-22 °F to 176 °F)	
Humidity	20% RH to 95% RH (no condensation)	
General		
Client software	MVS or third-party software meeting with USB3 Vision Protocol	
Operating system	32/64-bit Windows 7/10, 64-bit Windows 11, 32/64-bit Linux	
Compatibility	USB3 Vision, GenICam	
Certification	CE, RoHS, KC	