

MV-CS050-80GM/GC

5 MP CMOS GigE Area Scan Camera



GEN<i>i</i>CAM

GigE
VISION

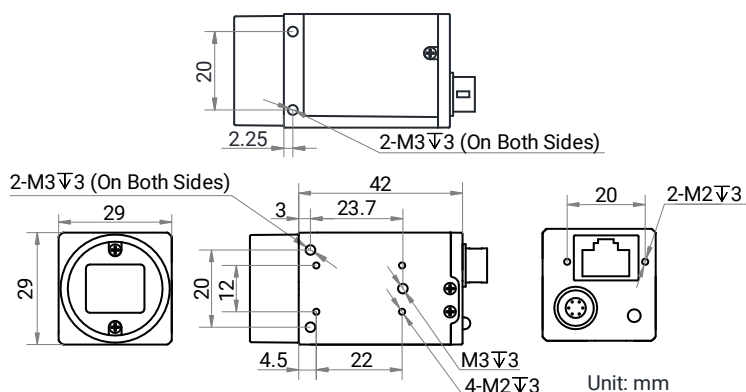
Introduction

MV-CS050-80GM/GC camera adopts CMOS sensor to provide high-quality images and transmit images in real time, and its max. frame rate can reach 24 fps in full resolution.

Key Features

- Adopts brand new design to reduce power consumption.
- Supports auto or manual adjustment for gain, exposure control, white balance, contrast ratio, Gamma correction, etc.
- Compact design with mounting holes on panels for flexible mounting from 4 sides.
- Adopts GigE interface and max. transmission distance of 100 meters without relay.
- Compatible with GigE Vision V2.0 Protocol, GenICam Standard, and third-party software based on the protocol and standard.

Dimension



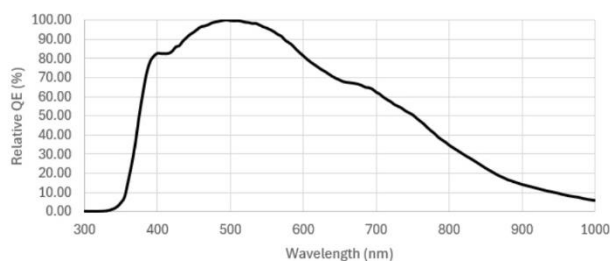
Available Models

- Mono camera: MV-CS050-80GM
- Color camera: MV-CS050-80GC

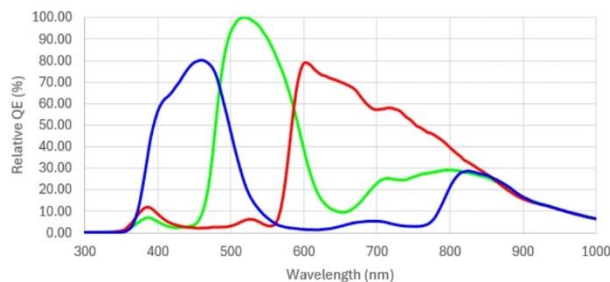
Applicable Industry

Electronic semiconductor, factory automation, food and beverage, medicine packaging, etc.

Sensor Quantum Efficiency



MV-CS050-80GM



MV-CS050-80GC

Specification

Model	MV-CS050-80GM	MV-CS050-80GC
Performance		
Sensor type	CMOS, global shutter	
Sensor model	SS	
Pixel size	3.45 μm \times 3.45 μm	
Sensor size	2/3"	
Resolution	2448 \times 2048	
Max. frame rate	24 fps @ 2448 \times 2048 Mono 8	24 fps @ 2448 \times 2048 Bayer BG 8
Dynamic range	61.6 dB	61.8 dB
SNR	41.9 dB	
Gain	0 dB to 12 dB	
Exposure time	25 μs to 10 sec	
Exposure mode	Off/Once/Continuous exposure mode	
Mono/color	Mono	Color
Pixel format	Mono 8/10/10Packed/12/12Packed	Mono 8 Bayer BG 8/10/10Packed/12/12Packed YUV422Packed, YUV422_YUYV_Packed RGB 8, BGR 8
Binning	Supports 1 \times 1, 2 \times 2, 4 \times 4	
Decimation	Supports 1 \times 1, 2 \times 2, 4 \times 4	
Reverse image	Supports horizontal and vertical reverse image output	
Electrical features		
Data interface	Gigabit Ethernet (1000 Mbit/s), compatible with Fast Ethernet (100 Mbit/s)	
Digital I/O	6-pin P7 connector provides power and I/O, including opto-isolated input \times 1 (Line 0), opto-isolated output \times 1 (Line 1), bi-directional non-isolated I/O \times 1 (Line 2).	
Power supply	9 VDC to 24 VDC, supports PoE	
Power consumption	Typ. 1.3 W @ 12 VDC	
Mechanical		
Lens mount	C-mount	
Dimension	29 mm \times 29 mm \times 42 mm (1.1" \times 1.1" \times 1.7")	
Weight	Approx. 102 g (0.2 lb.)	
Ingress protection	IP40 (under proper lens installation and wiring)	
Temperature	Working temperature: -30 $^{\circ}\text{C}$ to 60 $^{\circ}\text{C}$ (-22 $^{\circ}\text{F}$ to 140 $^{\circ}\text{F}$) Storage temperature: -30 $^{\circ}\text{C}$ to 80 $^{\circ}\text{C}$ (-22 $^{\circ}\text{F}$ to 176 $^{\circ}\text{F}$)	
Humidity	20% RH to 95% RH (no condensation)	
General		
Client software	MVS or third-party software meeting with GigE Vision Protocol	
Operating system	32/64-bit Windows 7/10, 64-bit Window 11, and 32/64-bit Linux	
Compatibility	GigE Vision V2.0, GenICam	
Certification	CE, RoHS, KC	