

MV-CS050-60UM/UC

5 MP 2/3" CMOS USB 3.0 Area Scan Camera



GEN<i>i</i>CAM

USB[™]
VISION

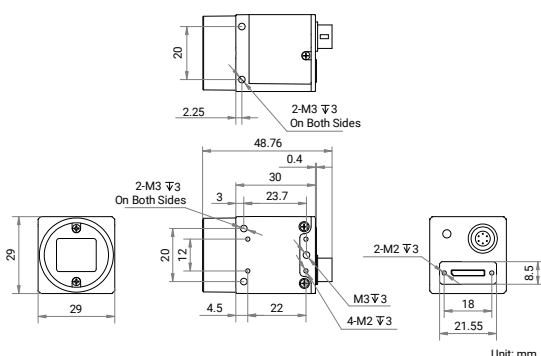
Introduction

MV-CS050-60UM/UC camera adopts CMOS global sensor to provide high-quality images. It uses USB 3.0 interface to transmit images in real time, and its max. frame rate can reach 60 fps in full resolution.

Key Feature

- Adopts brand new structure design and supports installation from four sides.
- Supports Super Palette and Super Bayer to provide high-quality images.
- Supports auto or manual adjustment of gain, exposure time, white balance, LUT, Gamma correction, etc., and supports Sequencer.
- Supports hardware trigger, software trigger, anyway mode, etc.
- Compatible with USB3 Vision Protocol, GenICam Standard, and the third-party software based on the protocol and standard.

Dimension



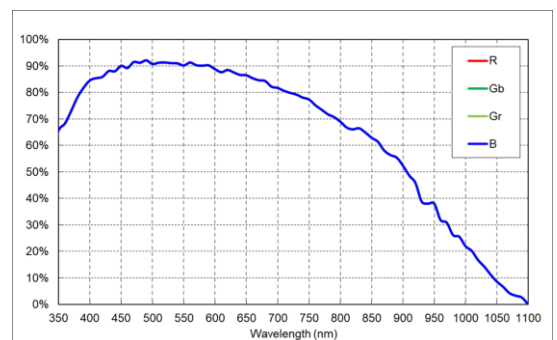
Available Model

- Mono camera: MV-CS050-60UM
- Color camera: MV-CS050-60UC

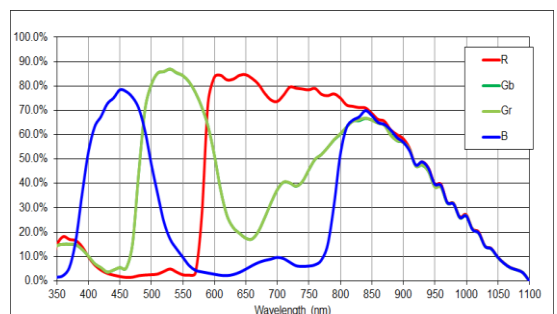
Applicable Industry

Electronics and semiconductor, factory automation, medicine package, etc.

Sensor Quantum Efficiency



MV-CS050-60UM



MV-CS050-60UC

Specification

Model	MV-CS050-60UM	MV-CS050-60UC
Performance		
Sensor type	CMOS, global shutter	
Sensor model	Stacked BSI	
Pixel size	3.45 μm \times 3.45 μm	
Sensor size	2/3"	
Resolution	2448 \times 2048	
Max. frame rate	60 fps @ 2448 \times 2048 Mono 8	60 fps @ 2448 \times 2048 Bayer GR 8
Dynamic range	73.9 dB	
SNR	42.4 dB	
Gain	High full well capacity: 0 dB to 12.8 dB High sensitivity: 0 dB to 24 dB	
Exposure time	High full well capacity: 30 μs to 10 sec High sensitivity: 5 μs to 10 sec	
Exposure mode	Off/Once/Continuous exposure mode	
Mono/color	Mono	Color
Pixel format	Mono 8/10/10Packed/12/12Packed	Mono 8, Bayer GR 8/10/10Packed/12/12Packed, YUV422Packed, YUV422_YUYV_Packed, RGB 8, BGR 8
Binning	Supports 1 \times 1, 2 \times 2, 4 \times 4	
Decimation	Supports 1 \times 1, 2 \times 2, 4 \times 4	
Reverse image	Supports horizontal and vertical reverse image output	
Electrical features		
Data interface	USB 3.0, compatible with USB 2.0	
Digital I/O	6-pin P7 connector provides power and I/O, including opto-isolated input \times 1 (Line 0), opto-isolated output \times 1 (Line 1), bi-directional non-isolated I/O \times 1 (Line 2).	
Power supply	9 VDC to 24 VDC, supports USB 3.0 power supply	
Power consumption	Typ. 1.5 W @ 5 VDC (USB 3.0 provides power supply)	
Mechanical		
Lens mount	C-mount	
Dimension	29 mm \times 29 mm \times 30 mm (1.1" \times 1.1" \times 1.2")	
Weight	Approx. 80 g (0.2 lb.)	
Ingress protection	IP40 (under proper lens installation and wiring)	
Temperature	Working temperature: -30 $^{\circ}\text{C}$ to 60 $^{\circ}\text{C}$ (-22 $^{\circ}\text{F}$ to 140 $^{\circ}\text{F}$) Storage temperature: -30 $^{\circ}\text{C}$ to 80 $^{\circ}\text{C}$ (-22 $^{\circ}\text{F}$ to 176 $^{\circ}\text{F}$)	
Humidity	20% RH to 95% RH (no condensation)	
General		
Client software	MVS or third-party software meeting with USB3 Vision Protocol	
Operating system	32/64-bit Windows 7/10/11, and 32/64-bit Linux	
Compatibility	USB3 Vision, GenICam	
Certification	CE, RoHS, KC	