

MV-CS032-60GM/GC V5

3.2 MP 1/1.8" CMOS GigE Area Scan Camera



GEN*i*CAM

GigE
VISION

Introduction

With GigE interface, MV-CS032-60GM/GC V5 camera adopts CMOS global sensor to provide high-quality images and transmit images in real time, and its max. frame rate can reach 38.9 fps in full resolution.

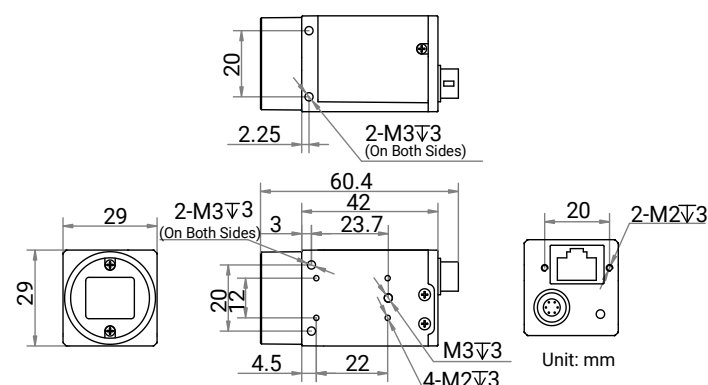
Available Model

- Mono camera: MV-CS032-60GM V5
- Color camera: MV-CS032-60GC V5

Applicable Industry

Electronic semiconductor, factory automation, food and beverage, pharmaceutical packaging, etc.

Dimension

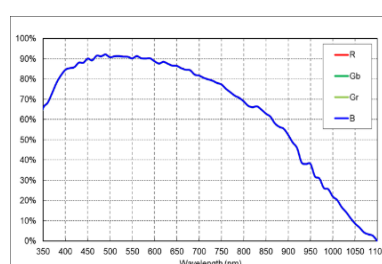


Key Feature

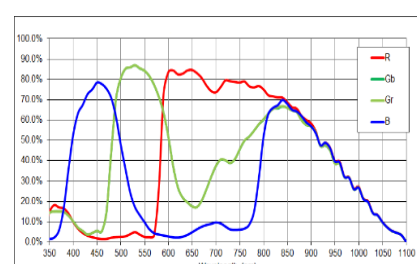
- Adopts brand new design to reduce power consumption.
- Supports auto or manual adjustment of gain, exposure time, white balance, LUT, Gamma correction, etc., and supports Sequencer function.
- Supports ISP functions like CCM, Super Palette, and Super Bayer to provide high-quality images.
- Compact design with mounting holes on panels for flexible mounting from 4 sides.
- Adopts GigE interface and max. transmission distance of 100 meters without relay.
- Compatible with GigE Vision V2.0 Protocol, GeniCam Standard, and third-party software based on the protocol and standard.

Sensor Quantum Efficiency

MV-CS032-60GM V5



MV-CS032-60GC V5



Specification

Model	MV-CS032-60GM V5	MV-CS032-60GC V5
Performance		
Sensor type	CMOS, global shutter	
Sensor model	Stacked BSI	
Pixel size	3.45 μm \times 3.45 μm	
Sensor size	1/1.8"	
Resolution	2048 \times 1536	
Max. frame rate	38.9 fps @ 2048 \times 1536 Mono 8	38.9 fps @ 2048 \times 1536 Bayer GR 8
Dynamic range	73.9 dB	
SNR	42.4 dB	
Gain	Full well mode: 0 dB to 12.8 dB High sensitivity mode: 0 dB to 24 dB	
Exposure time	Full well mode: 30 μs to 10 sec High sensitivity mode: 5 μs to 10 sec	
Exposure mode	Off/Once/Continuous exposure mode	
Mono/color	Mono	Color
Pixel format	Mono 8/10/10Packed/12/12Packed	Mono 8, Bayer GR 8/10/10Packed/12/12Packed, YUV422Packed, YUV422_YUYV_Packed, RGB 8, BGR 8
Binning	Supports 1 \times 1, 2 \times 2, 4 \times 4	
Decimation	Supports 1 \times 1, 2 \times 2, 4 \times 4	
Reverse image	Supports horizontal and vertical reverse image output	
Electrical feature		
Data interface	Gigabit Ethernet (1000 Mbit/s), compatible with Fast Ethernet (100 Mbit/s)	
Digital I/O	6-pin P7 connector provides power and I/O, including opto-isolated input \times 1 (Line 0), opto-isolated output \times 1 (Line 1), bi-directional non-isolated I/O \times 1 (Line 2).	
Power supply	9 VDC to 24 VDC, supports PoE	
Power consumption	Typ. 1.7 W @ 12 VDC	
Mechanical		
Lens mount	C-mount	
Dimension	29 mm \times 29 mm \times 42 mm (1.1" \times 1.1" \times 1.7")	
Weight	Approx. 100 g (0.2 lb.)	
Ingress protection	IP40 (under proper lens installation and wiring)	
Temperature	Working temperature: -30 $^{\circ}\text{C}$ to 60 $^{\circ}\text{C}$ (-22 $^{\circ}\text{F}$ to 140 $^{\circ}\text{F}$) Storage temperature: -30 $^{\circ}\text{C}$ to 80 $^{\circ}\text{C}$ (-22 $^{\circ}\text{F}$ to 176 $^{\circ}\text{F}$)	
Humidity	20% RH to 95% RH (no condensation)	
General		
Client software	MVS or third-party software meeting with GigE Vision Protocol	
Operating system	32/64-bit Windows 7/10, 64-bit Windows 11, and 32/64-bit Linux	
Compatibility	GigE Vision V2.0, GenICam	
Certification	CE, RoHS, KC	