

# MV-CM3040C-1H

## HDMI Measurement Microscope Camera



### Introduction

MV-CM3040C-1H HDMI measurement microscope camera adopts 4 MP CMOS sensor to provide high-quality images, and has an embedded operating system to support multi-image processing and measurement. It can be directly connected to a monitor without a computer, providing image acquisition in real time.

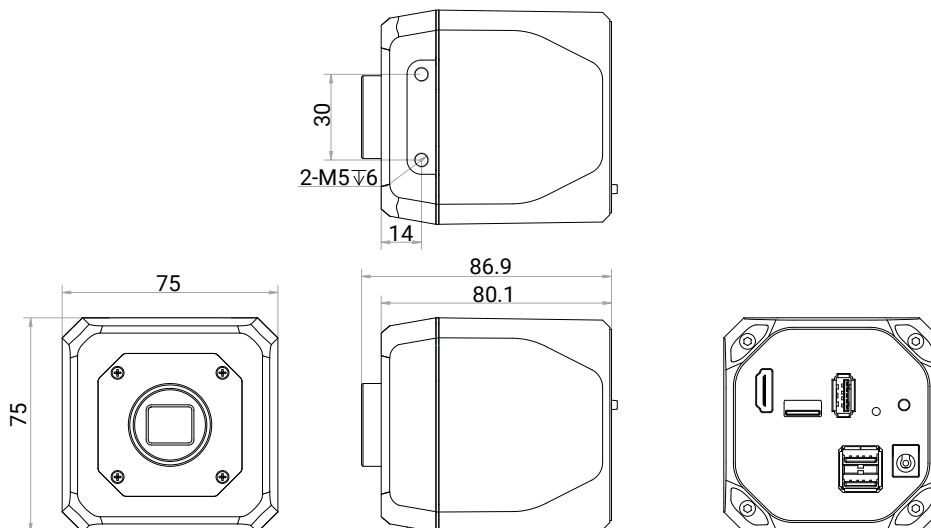
### Available Model

- Device without dongle: MV-CM3040C-1H
- Device with dongle: MV-CM3040C-1H(MSD)

### Applicable Industry

Electronic semiconductor, PCBA, biomedical industry, etc.

### Dimension



Unit: mm

### Key Feature

- Supports 4 MP high-quality image and 30 fps frame rate.
- Provides HDMI interface to connect to a monitor directly.
- Provides USB interface to connect to a mouse or a USB flash disk.
- Provides USB 3.0 interface to connect to the PC for operation on the client software.
- Supports image storage and image-related parameter adjustment.
- Supports measurement functions and report generation.

## Specification

Model	MV-CM3040C-1H	MV-CM3040C-1H(MSD)
<b>Performance</b>		
Sensor type	CMOS, rolling shutter	
Pixel size	2.9 $\mu\text{m}$ $\times$ 2.9 $\mu\text{m}$	
Sensor size	1/1.88"	
Resolution	2560 $\times$ 1440	
Max. frame rate	30 fps	
Gain	0 dB to 18 dB	
Exposure time	300 $\mu\text{s}$ to 100 ms	
Mono/color	Color	
Exposure mode	Auto/manual	
Vision tool	<ul style="list-style-type: none"> <li>● Image process: White balance, brightness, sharpness, contrast, saturation, digital gain, Gamma correction, digital WDR, noise reduction.</li> <li>● Auxiliary functions: Image reverse, cross line, grid line, ruler, scale, image freezing, capture, recording, storage.</li> <li>● Measurement: Report export, calibration, point measurement, line measurement, circle measurement, angle measurement, polygon measurement, polyline measurement, curve measurement, line/circle auto measurement.</li> </ul>	
<b>Electrical feature</b>		
Transmission interface	HDMI	
Console interface	USB 2.0 $\times$ 2, USB 3.0 $\times$ 1, micro SD card interface $\times$ 1	
Power supply	12 VDC to 24 VDC, independent power supply required	
Power consumption	Typ. 3.6 W @ 12 VDC	
<b>Mechanical</b>		
Lens mount	C-mount	
Dimension	75 mm $\times$ 75 mm $\times$ 86.9 mm (3.0" $\times$ 3.0" $\times$ 3.4")	
Weight	Approx. 430 g (0.9 lb.)	
Ingress protection	IP30 (under proper lens installation and wiring)	
Temperature	Working temperature: 0 $^{\circ}\text{C}$ to 50 $^{\circ}\text{C}$ (32 $^{\circ}\text{F}$ to 122 $^{\circ}\text{F}$ ) Storage temperature: -30 $^{\circ}\text{C}$ to 80 $^{\circ}\text{C}$ (-22 $^{\circ}\text{F}$ to 176 $^{\circ}\text{F}$ )	
Humidity	20% RH to 95% RH (no condensation)	
<b>General</b>		
Certification	CE, RoHS	