

MV-CL084-91Y2M

8K CoaXPress Mono Line Scan Camera



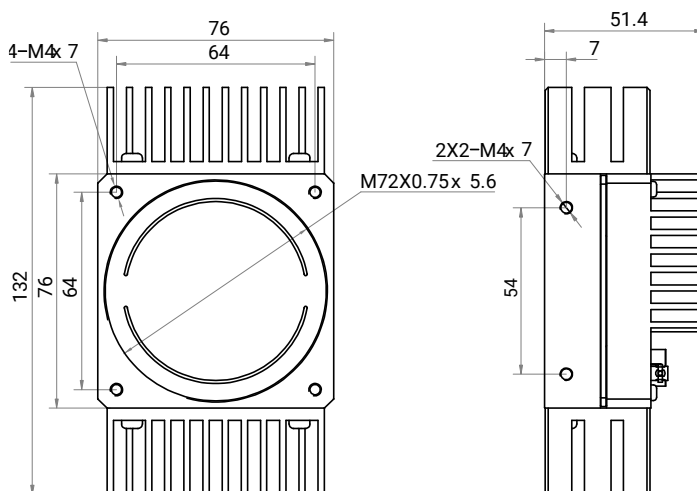
Introduction

MV-CL084-91Y2M camera adopts 8192 × 4 CMOS sensor and supports transmission via CoaXPress interfaces. Its max. line rate reaches 200 kHz. It adopts multiple ISP image processing technologies, featured with high speed, high accuracy, and high performance.

Key Feature

- Supports multi-light control, multi-exposure, TDI, etc.
- Adopts multiple ISP like Gamma, flat field correction, LUT, black level offset, etc.
- Provides CXP-10 interfaces to transmit data.
- Supports multiple exposure and acquisition methods.
- Compact design and flexible installation.

Dimension



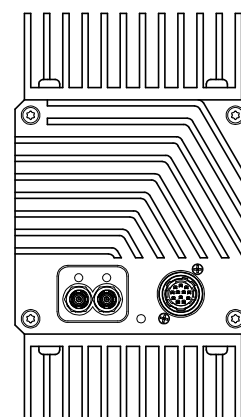
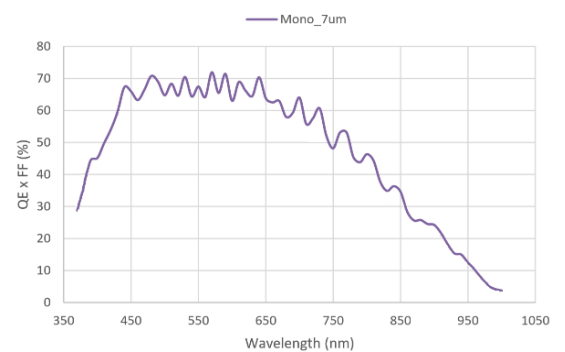
Available Model

MV-CL084-91Y2M

Applicable Industry

New energy, screen detection, consumer electronics, PCB, semiconductor, etc.

Sensor Quantum Efficiency



Unit: mm

Model	MV-CL084-91Y2M
Performance	
Sensor type	CMOS
Pixel size	7 μm × 7 μm
Resolution	8192 × 4
Image mode	Supports multi-light control: 1/2/3/4 light(s) Supports 1-Line, 2-TDI, and 4-TDI
Max. line rate	1-light mode: 200 kHz (1-Line), 100 kHz (2-TDI), 50 kHz (4-TDI) 2-light mode: 52 kHz (1-Line), 26 kHz (2-TDI) 3-light mode: 34.6 kHz (1-Line) 4-light mode: 26 kHz (1-Line)
Transmission mode	1 Link, 2 Link
Dynamic range	63.4 dB
SNR	40.8 dB
Gain	1.0 ×
Exposure time	3 μs to 10 ms
Exposure mode	Off/Once/Continuous exposure mode, and supports trigger-width exposure
Mono/color	Mono
Pixel format	Mono 8/10/12
Binning	Supports 1 × 1, 1 × 2, 1 × 4, 2 × 1, 2 × 2, 2 × 4, 4 × 1, 4 × 2, 4 × 4
Reverse image	Supports horizontal reverse image output
Trigger mode	External trigger, internal trigger
External trigger mode	Line trigger, frame trigger, line + frame trigger
Electrical feature	
Data interface	CXP-10 with two Micro-BNC interfaces
Digital I/O	12-pin P10 connector provides power and I/O: Configurable input/output × 4 (Line 0/1/3/4), and single-ended/differential is supported.
Power supply	12 VDC to 24 VDC, CXP-0 and CXP-1 support PoCXP
Power consumption	Typ. 15.5 W @ 24 VDC
Mechanical	
Lens mount	M72*0.75, flange back length 12 mm, applicable to F-mount lens via adapter ring
Dimension	132 mm × 76 mm × 51.4 mm (5.2" × 3.0" × 2.0")
Weight	Approx. 520 g (1.1 lb.)
Ingress protection	IP40 (under proper lens installation and wiring)
Temperature	Working temperature: -20 °C to 50 °C (-4 °F to 122 °F) Storage temperature: -30 °C to 80 °C (-22 °F to 176 °F)
Humidity	20% RH to 95% RH (no condensation)
General	
Client software	MVS or other frame grabber softwares corresponding to CoaXPress protocol
Operating system	32/64-bit Windows 7/10, 64-bit Windows 11, 32/64-bit Linux
Compatibility	CoaXPress, GenICam
Certification	CE, RoHS, KC