

MV-CH650-90YM V2

65 MP CMOS CoaXPress Area Scan Camera



GEN<i>i>CAM

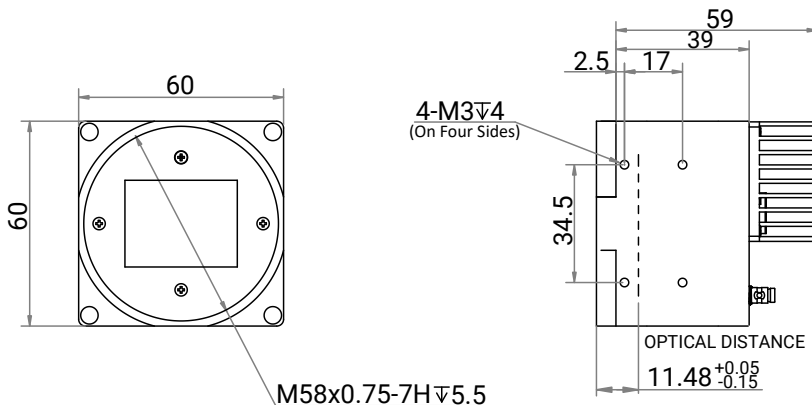
Introduction

MV-CH650-90YM camera adopts Gpixel GMAX3265 sensor to provide high-quality image. It uses CXP-12 interface to transmit non-compressed images in real time, and its max. frame rate can reach 71 fps in full resolution.

Key Feature

- Adopts global shutter CMOS to provide high dynamic range, SNR, and high-quality images.
- Adopts CXP-12 interface to transmit data.
- Compact design, low power consumption without cooling fan.
- Compatible with CoaXPress Protocol, GenICam Standard.

Dimension



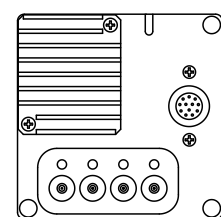
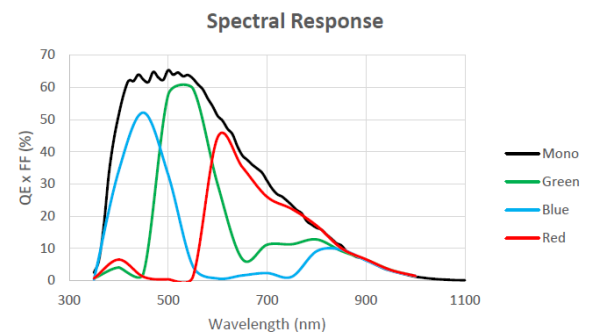
Available Model

MV-CH650-90YM-M58S-NN V2

Applicable Industry

Electron semiconductor, PCB AOI, 3D application, motion capture, etc.

Sensor Quantum Efficiency



Unit: mm

Model	MV-CH650-90YM
Performance	
Sensor type	CMOS, global shutter
Sensor model	Gpixel GMAX3265
Pixel size	3.2 μm \times 3.2 μm
Sensor size	29.9 mm \times 22.4 mm
Resolution	9344 \times 7000
Max. frame rate	71 fps @ 9344 \times 7000 Mono 8
Dynamic range	66 dB
SNR	40 dB
Gain	1.25 \times
Exposure time	12 μs to 10 sec
Exposure mode	Off/Once/Continuous exposure mode
Mono/color	Mono
Pixel format	Mono 8/10/12
Binning	Supports 1 \times 1, 1 \times 2, 1 \times 4, 2 \times 1, 2 \times 2, 2 \times 4, 4 \times 1, 4 \times 2, 4 \times 4
Decimation	Supports 1 \times 1, 1 \times 2, 1 \times 4, 2 \times 1, 2 \times 2, 2 \times 4, 4 \times 1, 4 \times 2, 4 \times 4
Reverse image	Supports horizontal and vertical reverse image output
Electrical features	
Data interface	CoaXPress with Micro-BNC interface
Digital I/O	12-pin P10 connector provides power and I/O, including opto-isolated input \times 1 (Line 0), opto-isolated output \times 1 (Line 1), bi-directional non-isolated I/O \times 1 (Line 2), and RS-232 \times 1.
Power supply	12 VDC to 24 VDC, CXP-0 and CXP-1 connectors support PoCXP
Power consumption	Typ. 14.4 W @ 12 VDC
Mechanical	
Lens mount	M58*0.75, flange back length 11.48 mm
Dimension	60 mm \times 60 mm \times 59 mm (2.4" \times 2.4" \times 2.3") (cooling fins are optional)
Weight	Approx. 285 g (0.6 lb.)
Ingress protection	IP40 (under proper lens installation and wiring)
Temperature	Working temperature: 0 $^{\circ}\text{C}$ to 40 $^{\circ}\text{C}$ (32 $^{\circ}\text{F}$ to 104 $^{\circ}\text{F}$) Storage temperature: -30 $^{\circ}\text{C}$ to 70 $^{\circ}\text{C}$ (-22 $^{\circ}\text{F}$ to 158 $^{\circ}\text{F}$)
Humidity	20% RH to 95% RH (no condensation)
General	
Client software	MVS or third-party software meeting with CoaXPress Protocol
Operating system	32/64-bit Windows 7/10, 64-bit Windows 11, and 32/64-bit Linux
Compatibility	CoaXPress, GenICam
Certification	CE, RoHS, KC, UL