

MV-CH6040-10XM/XC

604 MP CMOS CoaXPress Area Scan Camera



GEN<i>i</i>CAM

Introduction

MV-CH6040-10XM/XC camera adopts Sony® IMX411 sensor to provide high-quality images. It uses CXP-6 interface to transmit non-compressed images in real time.

Key Feature

- Resolution of 28416 × 21280, pixel size of 3.76 μm × 3.76 μm.
- Supports 151 and 604 MP mode and adopts ISP algorithm to improve image quality.
- Adopts rolling shutter CMOS sensor to provide high dynamic range and low noise.
- Supports FFC correction and LSC correction.
- Supports 16-bit ADC output with high-precision sampling.
- Adopts CXP-6 interface to transmit data.
- Compatible with CoaXPress Protocol and GenICam Standard.

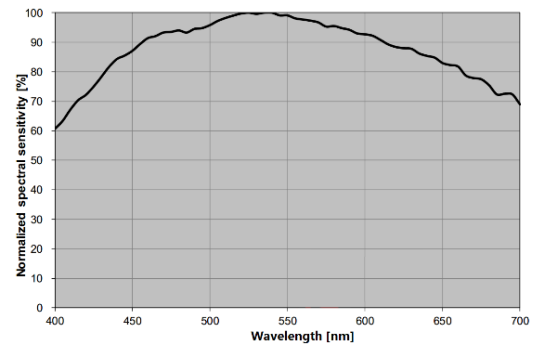
Available Model

- Mono camera:
MV-CH6040-10XM-M72-NF, MV-CH6040-10XM-M72-TF (with TEC)
- Color camera:
MV-CH6040-10XC-M72-NF, MV-CH6040-10XC-M72-TF (with TEC)

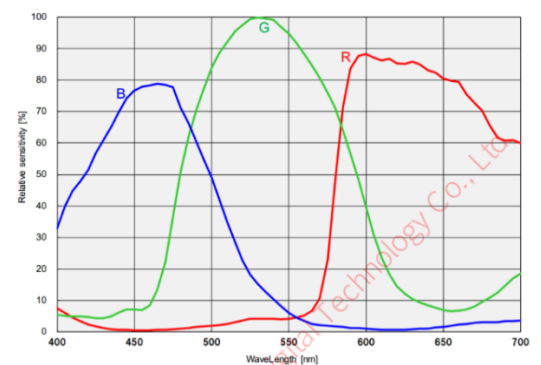
Applicable Industry

FPD detection, PCB AOI, file scanning, etc.

Sensor Quantum Efficiency



MV-CH6040-10XM

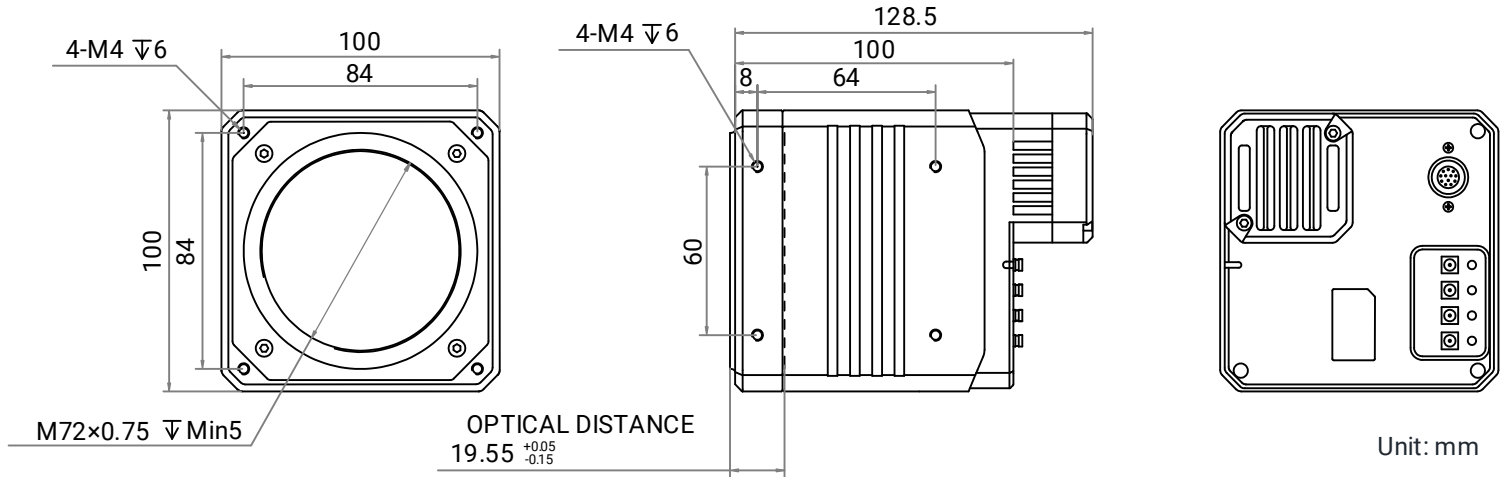


MV-CH6040-10XC

Model	MV-CH6040-10XM	MV-CH6040-10XC
Performance		
Sensor type	CMOS, rolling shutter	
Sensor model	Sony® IMX411	
Pixel size	3.76 μm × 3.76 μm	
Sensor size	66.7 mm	
Resolution	28416 × 21280	
Max. frame rate	1.45 fps @ 28416 × 21280 Mono 8	1.38 fps @ 14208 × 10640 RGB 8
Dynamic range	78.7 dB	
SNR	46.4 dB	
Gain	0 dB to 40 dB	
Exposure time	15 μs to 1 sec	15 μs to 10 sec
Exposure mode	Off/Once/Continuous exposure mode, supports Rolling and Global Reset	
Mono/color	Mono	Color
Pixel format	Mono 8/10/12/16	Bayer RG 8/10/12/16 RGB 8/12
Binning	Supports 1 × 1, 1 × 2, 1 × 4, 2 × 1, 2 × 2, 2 × 4, 4 × 1, 4 × 2, 4 × 4	
Decimation	Not support	Supports 1 × 1, 1 × 2, 1 × 4, 2 × 1, 2 × 2, 2 × 4, 4 × 1, 4 × 2, 4 × 4
Reverse image	Supports horizontal reverse image output	
Electrical features		
Data interface	CoaXPress with DIN interface	
Digital I/O	12-pin P10 connector provides power and I/O, including opto-isolated input × 1 (Line 0), opto-isolated output × 1 (Line 1), bi-directional non-isolated I/O × 1 (Line 2), and RS-232 × 1	
Power supply	24 VDC	
Power consumption	Camera with fan: Typ. 15 W @ 24 VDC Camera with TEC non-cooling: Typ. 19.5 W @ 24 VDC Camera with TEC cooling: Typ. 31.2 W @ 24 VDC	
Mechanical		
Lens mount	M72*0.75, back focal length 19.55 mm	
Dimension	Camera with fan: 100 mm × 100 mm × 128.5 mm (3.9" × 3.9" × 5.1") Camera with TEC: 120 mm × 120 mm × 102 mm (4.7" × 4.7" × 4.0")	
Weight	Camera with fan: Approx. 1.4 kg (3.1 lb.) Camera with TEC: Approx. 2.15 kg (4.7 lb.)	
Ingress protection	IP40 (under proper lens installation and wiring)	
Temperature	Performance temperature: 20 °C to 35 °C (68 °F to 95 °F) Working temperature: 0 °C to 50 °C (32 °F to 122 °F) Storage temperature: -30 °C to 70 °C (-22 °F to 158 °F)	
Humidity	20% RH to 95% RH (no condensation)	
General		
Client software	Frame grabber software meeting with CoaXPress Protocol	
Operating system	32/64-bit Windows 7/10, 64-bit Windows 11, 32/64-bit Linux	
Compatibility	CoaXPress, GenICam	
Certification	CE, RoHS, KC	

Dimension

Camera with fan:



Camera with TEC:

