

# MV-CH2450-10YM/C

## 245 MP CoaXPress Area Scan Camera



**GEN*i*CAM**

### Introduction

MV-CH2450-10YM/C camera adopts Sony® IMX811 sensor to provide high-quality images. It uses CXP-12 interface to transmit non-compressed images in real time, and its max. frame rate can reach 12.4 fps in full resolution.

### Key Feature

- Resolution of 19200 × 12800, pixel size of 2.81 μm × 2.81 μm.
- Adopts rolling shutter CMOS sensor to provide high dynamic range, SNR, and high-quality image.
- Supports FFC function, and TEC mode.
- Supports Off, Once, and Continuous exposure modes with durations up to 60 seconds.
- Supports 16-bit ADC output with high-precision sampling and high dynamic range.
- Adopts CXP-12 interface to transmit data.
- Compatible with CoaXPress Protocol, GenICam Standard.

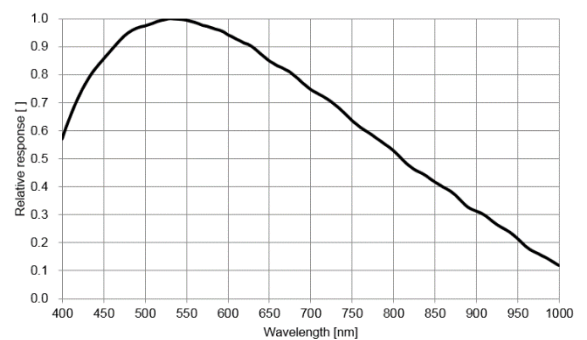
### Available Model

- Mono camera: MV-CH2450-10YM-M72-TF
- Color camera: MV-CH2450-10YC-M72-TF

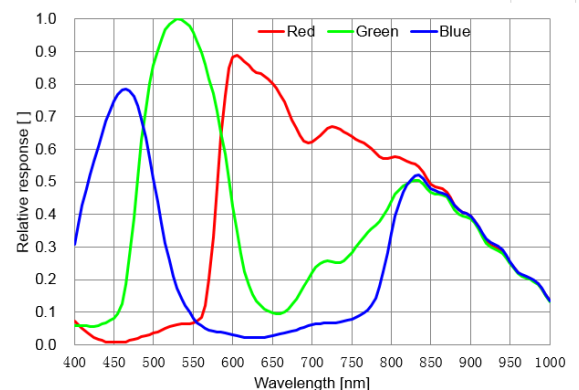
### Applicable Industry

PCB AOI, FPD, aerial photography, file scan, etc.

### Sensor Quantum Efficiency



MV-CH2450-10YM

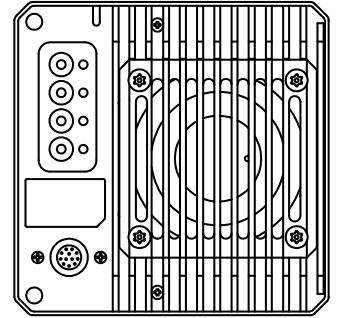
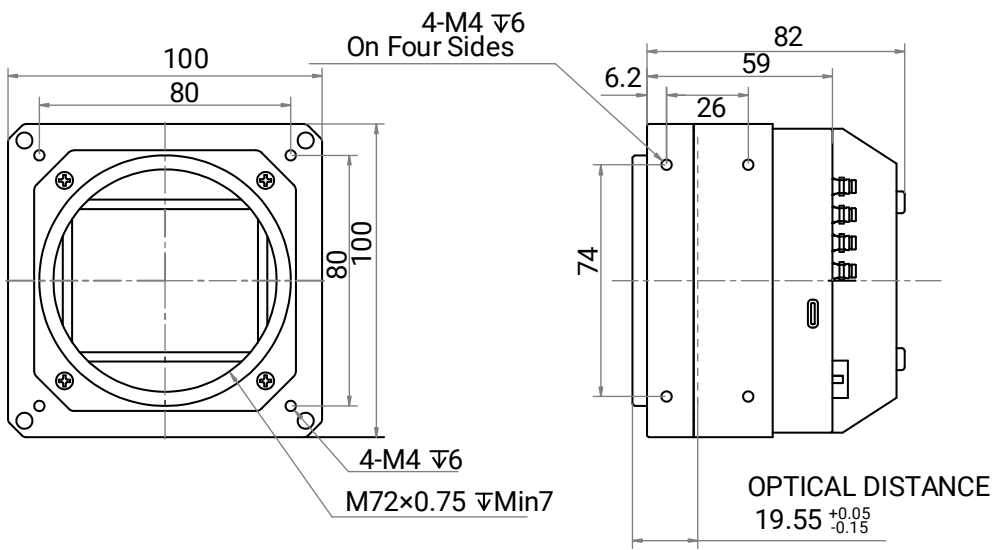


MV-CH2450-10YM

## Specification

Model	MV-CH2450-10YM	MV-CH2450-10YC
<b>Performance</b>		
Sensor type	CMOS, rolling shutter	
Sensor model	Sony® IMX811	
Pixel size	2.81 μm × 2.81 μm	
Sensor size	64.84 mm	
Resolution	19200 × 12800	
Max. frame rate	12.4 fps @ 19200 × 12800 Mono 8	12.4 fps @ 19200 × 12800 Bayer RG 8
Dynamic range	71.9 dB	71.8 dB
SNR	44.1 dB	44.2 dB
Gain	0 dB to 24 dB	
Exposure time	98 μs to 60 sec	
Exposure mode	Off/Once/Continuous exposure mode, supports Rolling Shutter and Global Reset	
Mono/color	Mono	Color
Pixel format	Mono 8/10/12/16	Mono 8/10/12/16 Bayer RG 8/10/12/16 RGB 8
Binning	Supports 1 × 1, 1 × 2, 1 × 4, 2 × 1, 2 × 2, 2 × 4, 4 × 1, 4 × 2, 4 × 4	
Decimation	Supports 1 × 1, 1 × 2, 1 × 4, 2 × 1, 2 × 2, 2 × 4, 4 × 1, 4 × 2, 4 × 4	
Reverse image	Supports horizontal reverse image output	
<b>Electrical feature</b>		
Data interface	CoaXPress with HDBNC interface	
Digital I/O	12-pin P10 connector provides power and I/O, including opto-isolated input × 1 (Line 0), opto-isolated output × 1 (Line 1), bi-directional non-isolated I/O × 1 (Line 2), and RS-232 × 1	
Power supply	24 VDC	
Power consumption	Camera with TEC non-cooling: Typ. 19 W @ 24 VDC Camera with TEC cooling: Typ. 33 W @ 24 VDC	Camera with TEC non-cooling: Typ. 20.6 W @ 24 VDC Camera with TEC cooling: Typ. 33.2 W @ 24 VDC
<b>Mechanical</b>		
Lens mount	M72*0.75, flange back length 19.55 mm	
Dimension	100 mm × 100 mm × 82 mm (3.9" × 3.9" × 3.2")	
Weight	Approx. 1216.9 g (2.7 lb.)	
Ingress protection	IP40 (under proper lens installation and wiring)	
Temperature	Working temperature: 0 °C to 50 °C (32 °F to 122 °F) Storage temperature: -30 °C to 80 °C (-22 °F to 176 °F)	
Humidity	20% RH to 95% RH (no condensation)	
<b>General</b>		
Client software	MVS or third-party software meeting with CoaXPress Protocol	
Operating system	32/64-bit Windows 7/10, 64-bit Windows 11, and 32/64-bit Linux	
Compatibility	CoaXPress, GenICam	
Certifications	CE, RoHS, KC	

**Dimension**



Unit: mm