

MV-CH210-90YM/YC

21 MP CMOS CoaXPress Area Scan Camera



GEN<i>i>CAM

Introduction

MV-CH210-90YM/YC camera adopts Gsprint 4521 sensor to provide high-quality image. It uses CXP-12 interface to transmit non-compressed images in real time, and its max.. frame rate can reach 222 fps in full resolution.

Key Feature

- Resolution of 5120 × 4096, pixel size of 4.5 μm × 4.5 μm.
- Adopts global shutter CMOS to provide high dynamic range, SNR, and high-quality images.
- Supports LSC sequencer polling function.
- Low power consumption without fans.
- Adopts CXP-12 interface to transmit data.
- Compatible with CoaXPress Protocol and GenICam Standard.

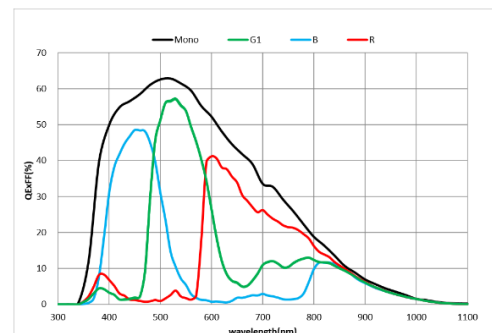
Available Model

- Mono camera:
MV-CH210-90YM-M58S-NN
- Color camera:
Without fan: MV-CH210-90YC-M58S-NN
With fan: MV-CH210-90YC-M58S-NF

Applicable Industry

Electronics, semiconductor, PCB AOI, 3D application, motion capture, etc.

Sensor Quantum Efficiency

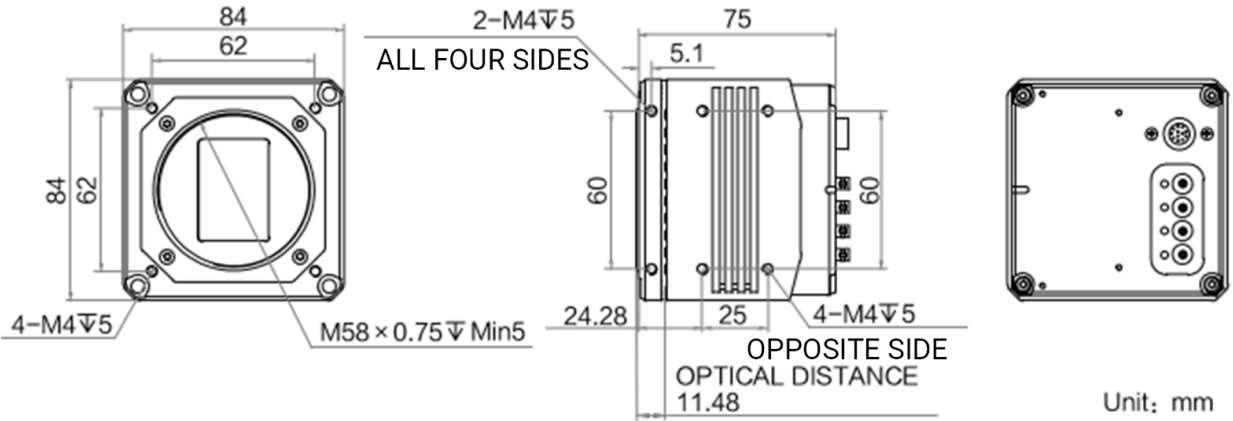


Specification

Model	MV-CH210-90YM	MV-CH210-90YC
Camera		
Sensor type	CMOS, global shutter	
Sensor model	Gpixel Gsprint 4521	
Pixel size	4.5 μm \times 4.5 μm	
Sensor size	23.04 mm \times 18.43 mm	
Resolution	5120 \times 4096	
Max. frame rate	222 fps @ 5120 \times 4096 Mono 8	222 fps @ 5120 \times 4096 Bayer GB 8
Dynamic range	65 dB	
SNR	43 dB	
Gain	1.0 \times , 2.0 \times , 4.0 \times	
Exposure time	4 μs to 10 sec	
Exposure mode	Off/Once/Continuous exposure mode	
Mono/color	Mono	Color
Pixel format	Mono 8/10/12	Bayer GB 8/10/12
Binning	Supports 1 \times 1, 1 \times 2, 1 \times 4, 2 \times 1, 2 \times 2, 2 \times 4, 4 \times 1, 4 \times 2, 4 \times 4	
Decimation	Supports 1 \times 1, 1 \times 2, 1 \times 4, 2 \times 1, 2 \times 2, 2 \times 4, 4 \times 1, 4 \times 2, 4 \times 4	
Reverse image	Supports horizontal and vertical reverse image output	
Electrical features		
Data interface	CoaXPress with Micro-BNC interface	
Digital I/O	12-pin P10 connector provides power and I/O, including opto-isolated input \times 1 (Line 0), opto-isolated output \times 1 (Line 1), bi-directional non-isolated I/O \times 1 (Line 2), and RS-232 \times 1.	
Power supply	12 VDC to 24 VDC, CXP-0 and CXP-1 connectors support PoCXP	
Power consumption	Typ. 18 W @ 24 VDC	With fan: Typ. 18.7 W @ 24 VDC Without fan: Typ. 16.3 W @ 24 VDC
Mechanical		
Lens mount	M58*0.75	
Dimension	With fan: 84 mm \times 84 mm \times 75 mm (3.3" \times 3.3" \times 3.0") Without fan: 84 mm \times 84 mm \times 92.5 mm (3.3" \times 3.3" \times 3.6")	
Weight	With fan: Approx. 790 g (1.7 lb.) Without fan: Approx. 650 g (1.4 lb.)	
Ingress protection	IP40 (under proper lens installation and wiring)	
Temperature	Working temperature: 0 $^{\circ}\text{C}$ to 50 $^{\circ}\text{C}$ (32 $^{\circ}\text{F}$ to 122 $^{\circ}\text{F}$) Storage temperature: -30 $^{\circ}\text{C}$ to 70 $^{\circ}\text{C}$ (-22 $^{\circ}\text{F}$ to 158 $^{\circ}\text{F}$)	
Humidity	20% RH to 95% RH (no condensation)	
General		
Client software	MVS or frame grabber software meeting with CoaXPress Protocol	
Operating system	32/64-bit Windows 7/10, 64-bit Windows 11	
Compatibility	CoaXPress, GenICam	
Certification	CE, RoHS, KC	

Dimension

With fan



Without fan

