

MV-CH089-60GM/GC V5

8.9 MP 1" CMOS GigE Area Scan Camera



GEN*◀i▶*CAM

GIG*E*
VISION

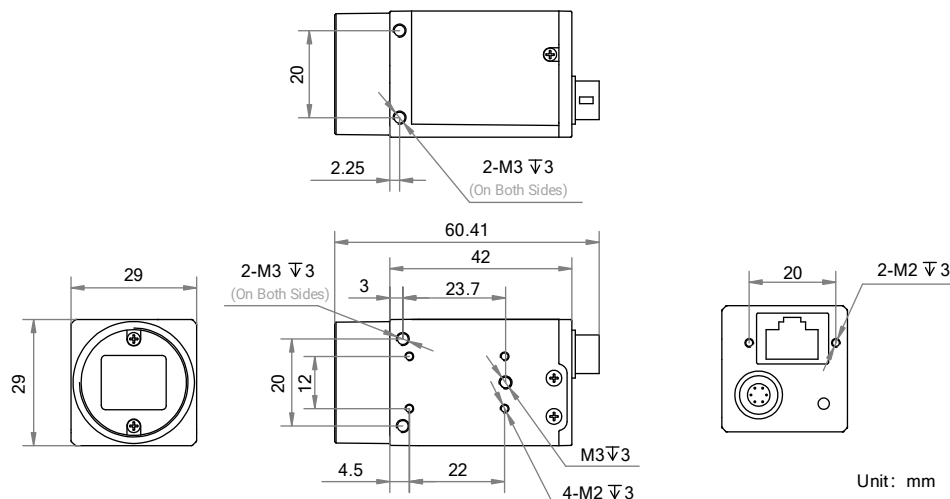
Introduction

MV-CH089-60GM/GC V5 camera adopts CMOS sensor to provide high-quality images. It uses GigE interface to transmit non-compressed images in real time, and its max. frame rate can reach 13.9 fps in full resolution.

Key Features

- Compact design with mounting holes on panels for flexible mounting from 4 sides.
- Supports auto or manual adjustment of gain and exposure time, and LUT and Gamma correction function.
- Supports LSC, Sequencer, passive transmission, etc.
- Supports functions like Bayer interpolation, white balance, CCM, Super Palette, and Super Bayer to provide high-quality images.
- Compatible with GigE Vision V2.0 Protocol, GenICam Standard, and third-party software based on the protocol and standard.

Dimension



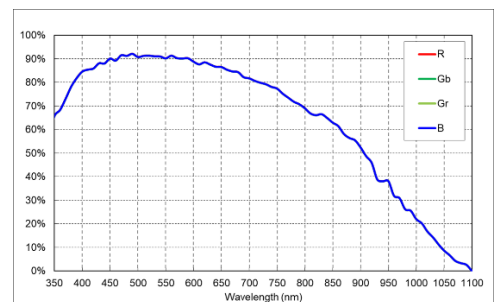
Available Model

- Mono camera: MV-CH089-60GM V5
- Color camera: MV-CH089-60GC V5

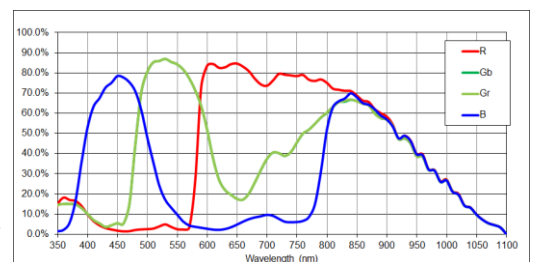
Applicable Industry

Electronic semiconductor, factory automation, logistics code reading, medicine packing, etc.

Sensor Quantum Efficiency



MV-CH089-60GM V5



MV-CH089-60GC V5

Model	MV-CH089-60GM V5	MV-CH089-60GC V5
Performance		
Sensor type	CMOS, global shutter	
Sensor model	Stacked BSI	
Pixel size	3.45 μm × 3.45 μm	
Sensor size	1"	
Resolution	4096 × 2160	
Max. frame rate	13.9 fps @ 4096 × 2160 Mono 8	13.9 fps @ 4096 × 2160 Bayer GB 8
Dynamic range	67.2 dB	
SNR	44.1 dB	
Gain	0 dB to 12 dB	
Exposure time	UltraShort exposure mode: 10 μs to 19 μs Standard exposure mode: 20 μs to 10 sec	
Exposure mode	Off/Once/Continuous exposure mode, supports TriggerWidth	
Mono/color	Mono	Color
Pixel format	Mono 8/10/10Packed/12/12Packed	Mono 8 Bayer GB 8/10/10Packed/12/12Packed, YUV422Packed, YUV422_YUYV_Packed, RGB 8, BGR 8
Binning	Supports 1 × 1, 2 × 2, 4 × 4	
Decimation	Supports 1 × 1, 2 × 2, 4 × 4	
Reverse image	Supports horizontal and vertical reverse image output	
Electrical feature		
Data interface	Gigabit Ethernet (1000 Mbit/s), compatible with Fast Ethernet (100 Mbit/s)	
Digital I/O	6-pin P7 connector provides power and I/O, including opto-isolated input × 1 (Line 0), opto-isolated output × 1 (Line 1), bi-directional non-isolated I/O × 1 (Line 2).	
Power supply	9 VDC to 24 VDC, supports PoE	
Power consumption	Typ. 1.7 W @ 12 VDC	Typ. 1.8 W @ 12 VDC
Mechanical		
Lens mount	C-mount	
Dimension (without lens)	29 mm × 29 mm × 42 mm (1.1" × 1.1" × 1.7")	
Weight	Approx. 100 g (0.2 lb.)	
Ingress protection	IP40 (under proper lens installation and wiring)	
Temperature	Working temperature: -10 °C to 50 °C (14 °F to 122 °F) Storage temperature: -30 °C to 80 °C (-22 °F to 176 °F)	
Humidity	20% RH to 95% RH (no condensation)	
General		
Client software	MVS or third-party software meeting with GigE Vision Protocol	
Operating system	32/64-bit Windows 7/10/11, 32/64-bit Linux	
Compatibility	GigE Vision V2.0, GenICam	
Certification	CE, RoHS, KC	