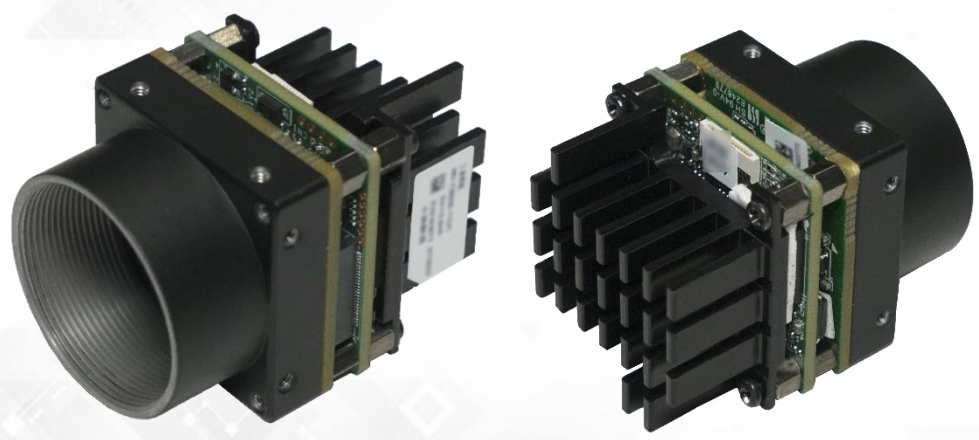


# MV-CB050-11UC-C

## 5.0 MP 2/3" CMOS USB3.0 Board Level Camera



GEN*i*CAM

USB  
VISION

### Introduction

MV-CB050-11UC-C camera adopts Sony® IMX264 sensor to provide high-quality images. It uses USB3.0 interface to transmit non-compressed images in real time, and its max. frame rate can reach 60 fps in full resolution. With compact design and USB3.0 transmission via high-speed FPC connector, the camera can meet different spatial requirements.

### Key Feature

- USB3.0 supports FPC connection to meet limited spatial requirements.
- Supports sensor and mainboard separation for complex spatial requirements.
- Supports auto or manual adjustment for gain, exposure time, white balance, LUT, Gamma correction, etc.
- Adopts image interpolation algorithm for color reproduction.
- Compatible with USB3 Vision Protocol, GenICam Standard, and third-party software based on protocol and standard.

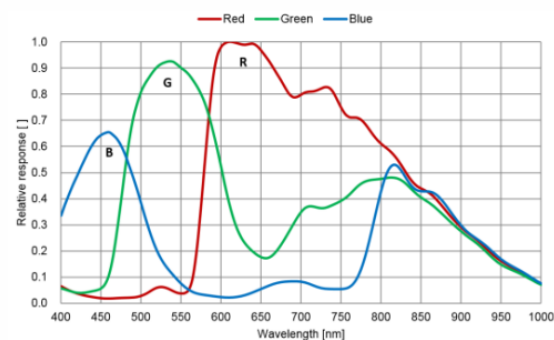
### Available Model

MV-CB050-11UC-C

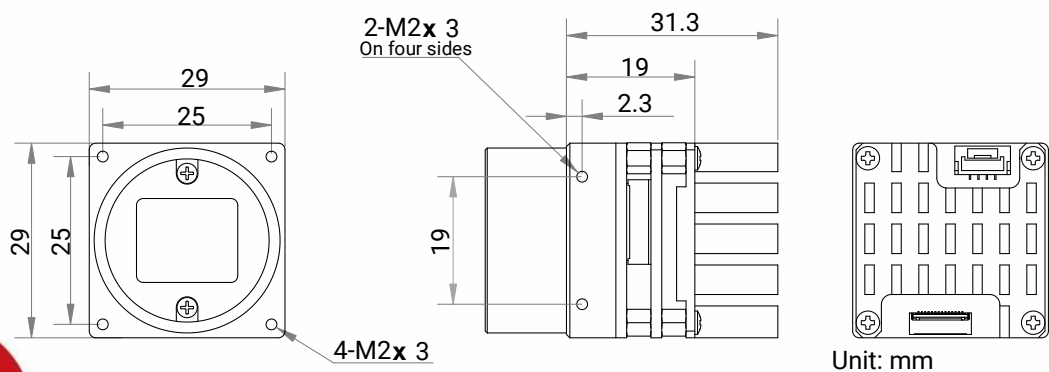
### Applicable Industry

3D application, semiconductor, etc.

### Sensor Quantum Efficiency



### Dimension



# Specification

<b>Model</b>	<b>MV-CB050-11UC-C</b>
<b>Performance</b>	
<b>Sensor type</b>	CMOS, global shutter
<b>Sensor model</b>	Sony® IMX264
<b>Pixel size</b>	3.45 μm × 3.45 μm
<b>Sensor size</b>	2/3"
<b>Resolution</b>	2448 × 2048
<b>Max. frame rate</b>	60 fps @2448 × 2048
<b>Dynamic range</b>	72 dB
<b>SNR</b>	40.2 dB
<b>Gain</b>	0 dB to 24 dB
<b>Exposure time</b>	UltraShort exposure mode: 1 μs to 14 μs Standard exposure mode: 15 μs to 10 sec
<b>Exposure mode</b>	Off/Once/Continuous exposure mode
<b>Mono/color</b>	Color
<b>Pixel format</b>	Mono 8/10/12, Bayer RG 8/10/10Packed/12/12Packed, YUV422Packed, YUV422_YUYV_Packed, RGB 8, BGR 8
<b>Binning</b>	Supports 1 × 1, 2 × 2, 4 × 4
<b>Decimation</b>	Supports 1 × 1, 2 × 2
<b>Reverse image</b>	Supports horizontal and vertical reverse image output
<b>Electrical feature</b>	
<b>Data interface</b>	USB3.0, compatible with USB2.0
<b>Digital I/O</b>	Bi-directional non-isolated I/O × 2 (Line 2, Line 5)
<b>Power supply</b>	5 VDC (USB3.0 provides power supply)
<b>Power consumption</b>	Typ. 2.8 W @5 VDC (USB3.0 provides power supply)
<b>Mechanical</b>	
<b>Lens mount</b>	C-mount
<b>Dimension</b>	29 mm × 29 mm × 31.3 mm (1.1" × 1.1" × 1.2")
<b>Weight</b>	Approx. 37 g (0.08 lb.)
<b>Temperature</b>	Working temperature: 0 °C to 50 °C (32 °F to 122 °F) Storage temperature: -30 °C to 70 °C (-22 °F to 158 °F)
<b>Humidity</b>	20% to 80% RH, non-condensing
<b>General</b>	
<b>Client software</b>	MVS or third-party software meeting with USB3 Vision Protocol
<b>Operating system</b>	32/64-bit Windows XP/7/10 and 32/64-bit Linux
<b>Compatibility</b>	USB3 Vision, GenICam
<b>Certifications</b>	CE, RoHS, KC



Hangzhou Hikrobot Co., Ltd.  
en.hikrobotics.com

© Hangzhou Hikrobot Co., Ltd. All Rights Reserved.

Hangzhou Hikrobot does not tolerate any infringement. Any organization or individual may not imitate or reproduce in whole or in part of the content. The data herein is based on Hikrobot's internal evaluation. Actual data may vary depending on specific configuration and operating condition. The information herein is subject to change without notice. All the content has been checked conscientiously. Nevertheless, Hikrobot shall not be liable to damages resulting from errors, inconsistencies or omissions.