

MV-CA020-10UM/UC

2 MP 1/1.7" CMOS USB3.0 Area Scan Camera



GEN*<i>i</i>*CAM

USBTM
VISION

Introduction

MV-CA020-10UM/UC adopts Sony® IMX430 sensor and provides high-quality image. It uses USB3.0 interface to transmit non-compressed images in real time, and its max. frame rate can reach 89.1 fps in full resolution.

Key Feature

- Supports auto and manual adjustment for gain, exposure control, LUT, Gamma correction, etc.
- Supports hardware triggering, software triggering and free run mode.
- Adopts M2 screw holes for securing cable that connects USB3.0 interface.
- Compatible with USB3 Vision Protocol, GenICam Standard, and the third-party software based on these protocol and standard.

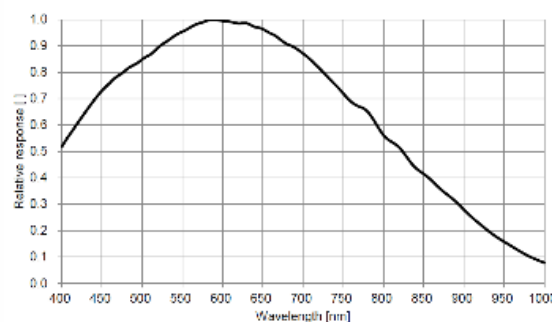
Available Model

- Mono camera: MV-CA020-10UM
- Color camera: MV-CA020-10UC

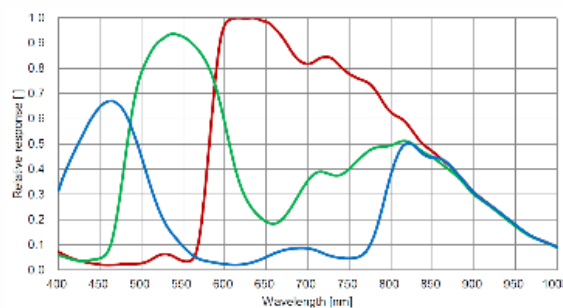
Applicable Industry

Electronic semiconductor, factory automation, liquor and beverage, medicine packing, etc.

Sensor Quantum Efficiency

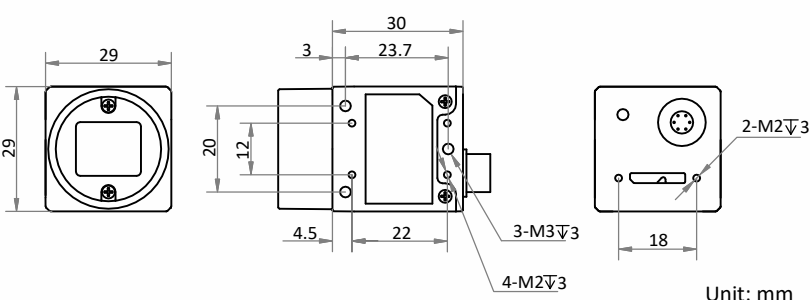


MV-CA020-10UM



MV-CA020-10UC

Dimension



Specification

Model	MV-CA020-10UM	MV-CA020-10UC
Camera		
Sensor type	CMOS, global shutter	
Sensor model	Sony® IMX430	
Pixel size	4.5 μm × 4.5 μm	
Sensor size	1/1.7"	
Resolution	1624 × 1240	
Max. frame rate	89.1 fps @1624 × 1240	
Dynamic range	75.4 dB	
SNR	40 dB	
Gain	0 dB to 24 dB	
Exposure time	1 μs to 10 sec	
Exposure mode	Off/Once/Continuous exposure mode	
Mono/color	Mono	Color
Pixel format	Mono 8/10/10p/12/12p	Mono 8/10/12, Bayer RG 8/10/10p/12/12p, YUV422Packed, YUV422_YUYV_Packed, RGB 8, BGR 8
Binning	Not support	
Decimation	Supports 1 × 1, 2 × 2	
Reverse image	Supports horizontal and vertical reverse image output	
Electrical feature		
Data interface	USB3.0, compatible with USB2.0	
Digital I/O	6-pin Hirose connector provides power and I/O, including opto-isolated input × 1 (Line 0), opto-isolated output × 1 (Line 1), and bi-directional non-isolated I/O × 1 (Line 2)	
Power supply	9 VDC to 24 VDC, supports USB3.0 power supply	
Power consumption	Typ. 3.2 W@5 VDC (USB3.0 provides power supply)	Typ. 3.9 W@5 VDC (USB3.0 provides power supply)
Mechanical		
Lens mount	C-mount	
Dimension	29 mm × 29 mm × 30 mm (1.1" × 1.1" × 1.2")	
Weight	Approx. 80 g (0.2 lb.)	
Ingress protection	IP30 (under proper lens installation and wiring)	
Temperature	Working temperature: 0 °C to 50 °C (32 °F to 122 °F) Storage temperature: -30 °C to 70 °C (-22 °F to 158 °F)	
Humidity	20% to 80% RH, without condensation	
General		
Client software	MVS or third-party software meeting with USB3 Vision Protocol	
Operating system	32/64-bit Windows XP/7/10, 32/64-bit Linux and 64-bit MacOS	
Compatibility	USB3 Vision, GenICam	
Certification	CE, FCC, RoHS, KC	

HIKROBOT

Hangzhou Hikrobot Co., Ltd.
en.hikrobotics.com

© Hangzhou Hikrobot Co., Ltd. All Rights Reserved.

Hangzhou Hikrobot does not tolerate any infringement. Any organization or individual may not imitate or reproduce in whole or in part of the content. The data herein is based on Hikrobot's internal evaluation. Actual data may vary depending on specific configuration and operating condition. The information herein is subject to change without notice. All the content has been checked conscientiously. Nevertheless, Hikrobot shall not be liable to damages resulting from errors, inconsistencies or omissions.