

# MV-CA013-A0UM/UC

1.3 MP 1/2" CMOS USB3.0 Area Scan Camera



GEN*i*CAM

USB<sup>TM</sup>  
VISION

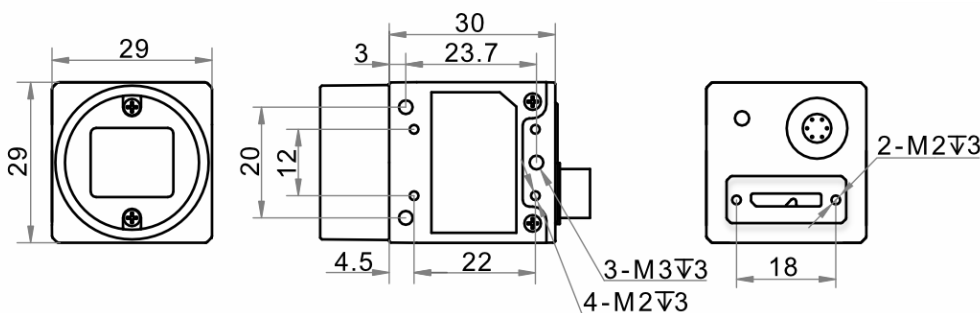
## Introduction

MV-CA013-A0UM/UC camera provides high-quality images. It uses USB3.0 interface to transmit images in real time, and its max. frame rate can reach 201 fps in full resolution.

## Key Feature

- Supports auto or manual adjustment of gain, exposure time, and manual adjustment of LUT, Gamma correction, etc.
- Supports customized ROI, horizontal and vertical reverse image output.
- Adopts compact design for flexible installation.
- Compatible with USB3 Vision Protocol, GenICam Standard, and third-party software based on the protocol and standard.

## Dimension



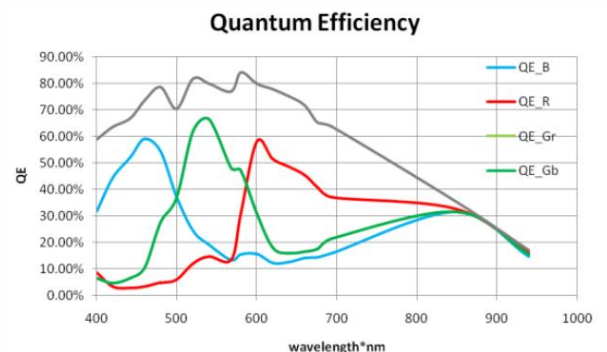
## Available Model

- Mono camera: MV-CA013-A0UM
- Color camera: MV-CA013-A0UC

## Applicable Industry

Electronic semiconductor, factory automation, liquor and beverage, medicine packing, etc.

## Sensor Quantum Efficiency



# Specification

Model	MV-CA013-A0UM	MV-CA013-A0UC
<b>Camera</b>		
Sensor type	CMOS, global shutter	
Pixel size	4.8 μm × 4.8 μm	
Sensor size	1/2"	
Resolution	1280 × 1024	
Max. frame rate	201 fps @1280 × 1024	
Dynamic range	53 dB	
SNR	40 dB	
Gain	0 dB to 16 dB	
Exposure time	9 μs to 10 sec	
Exposure mode	Off/Once/Continuous exposure mode	
Mono/color	Mono	Color
Pixel format	Mono 8/10/10Packed/12/12Packed	Mono 8/10/12, Bayer GB 8/10/10Packed /12/1210Packed, YUV422Packed, YUV422_YUYV_Packed, RGB 8, BGR 8
Binning	Supports 1 × 1, 2 × 2, 4 × 4	
Decimation	Supports 1 × 1, 2 × 2, 4 × 4	
Reverse image	Supports horizontal and vertical reverse image output	
<b>Electrical features</b>		
Data interface	USB3.0, compatible with USB2.0	
Digital I/O	6-pin P7 connector provides power and I/O, including opto-isolated input × 1 (Line 0), opto-isolated output × 1 (Line 1), and bi-directional non-isolated I/O × 1 (Line 2)	
Power supply	9 VDC to 24 VDC, supports USB3.0 power supply	
Power consumption	Typ. 2.4 W@5 VDC (USB3.0 provides power supply)	Typ. 2.7 W@5 VDC (USB3.0 provides power supply)
<b>Mechanical</b>		
Lens mount	C-mount	
Dimension	29 mm × 29 mm × 30 mm (1.1" × 1.1" × 1.2")	
Weight	Approx. 80 g (0.18 lb.)	
Ingress protection	IP30 (under proper lens installation and wiring)	
Temperature	Working temperature: 0 °C to 50 °C (32 °F to 122 °F) Storage temperature: -30 °C to 70 °C (-22 °F to 158 °F)	
Humidity	20% to 95% RH, non-condensing	
<b>General</b>		
Client software	MVS or third-party software meeting with USB3 Vision Protocol	
Operating system	32/64-bit Windows XP/7/10, 32/64-bit Linux and 64-bit MacOS	
Compatibility	USB3 Vision, GenICam	
Certification	CE, RoHS, KC	



Hangzhou Hikrobot Co., Ltd.  
en.hikrobotics.com

© Hangzhou Hikrobot Co., Ltd. All Rights Reserved.

Hangzhou Hikrobot does not tolerate any infringement. Any organization or individual may not imitate or reproduce in whole or in part of the content. The data herein is based on Hikrobot's internal evaluation. Actual data may vary depending on specific configuration and operating condition. The information herein is subject to change without notice. All the content has been checked conscientiously. Nevertheless, Hikrobot shall not be liable to damages resulting from errors, inconsistencies or omissions.