

# MV-ACP-TJC8x7-FL

## Frame Grabber Internal I/O Cascade Cable (Flex)

The frame grabber internal I/O cascade cable (flex) can be used for I/O signal wiring of multiple frame grabbers, and can support up to seven interfaces.



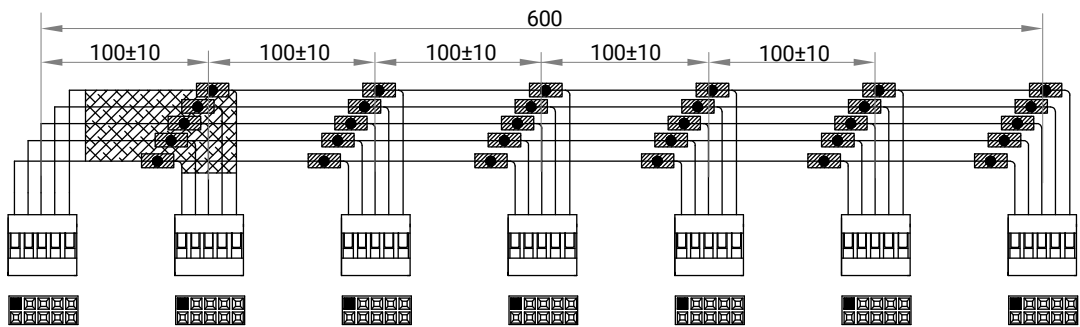
### Applicable Product

Hikrobot Frame Grabber (with 9-pin Header)

### Available Model

- 0.6m length: MV-ACP-TJC8x7-FL-0.6m

### Dimension



Unit: mm

## Specification

<b>Model</b>	<b>MV-ACP-TJC8x7-FL</b>
<b>Specifications</b>	<b>Frame Grabber Internal I/O Cascade Cable (Flex)</b>
<b>Physical specification</b>	
<b>Interface</b>	9-pin Female Header*7
<b>Cable diameter</b>	8.5 mm
<b>Length</b>	0.6 m
<b>Cable mechanical</b>	UL1571+28AWG+PVC(70-80P)
<b>Jacket</b>	PVC
<b>Cable color</b>	Black
<b>Connector durability</b>	>100 cycles
<b>Applicable scenario</b>	Static scene
<b>Electrical specification</b>	
<b>Max. voltage</b>	30 VDC
<b>Additional information</b>	
<b>Working temperature</b>	-20 °C to 80 °C (-4 °F to 176 °F)
<b>Certification</b>	RoHS
<b>Packaging</b>	Individual package

Note: Read the camera user manual before connecting the cable to the camera.