

Adapter Ring M58×0.75-F T35

M58 × 0.75 to F-Mount Adapter Ring, Thickness of 35 mm

An adapter ring serves as a converter among different lens mounts. It can be used with machine vision cameras and lenses.



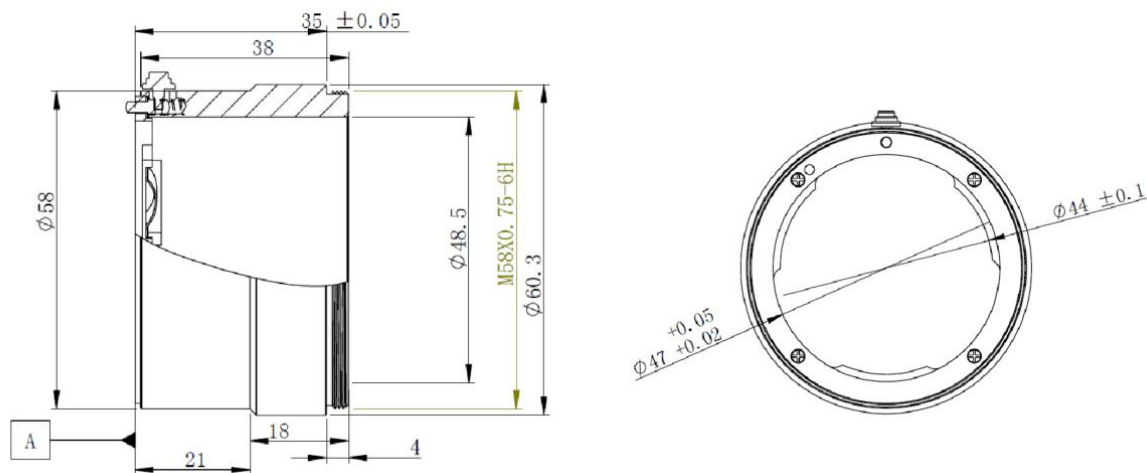
Specification

Model	Adapter Ring M58×0.75-F T35
Parameter	
Mechanical	
Camera mount	M58 × 0.75, flange back length 11.48 mm
Lens mount	F-mount, flange back length 46.5 mm
Thickness	35 mm
General	
Certification	RoHS 2.0

Key Feature

- Supports lens mount conversion with flexible compatibility.

Dimension



Unit: mm