

Adapter Ring M42×1.0-F T34.5

M42 × 1.0 to F-Mount Adapter Ring, Thickness of 34.5 mm

An adapter ring serves as a converter among different lens mounts. It can be used with machine vision cameras and lenses.



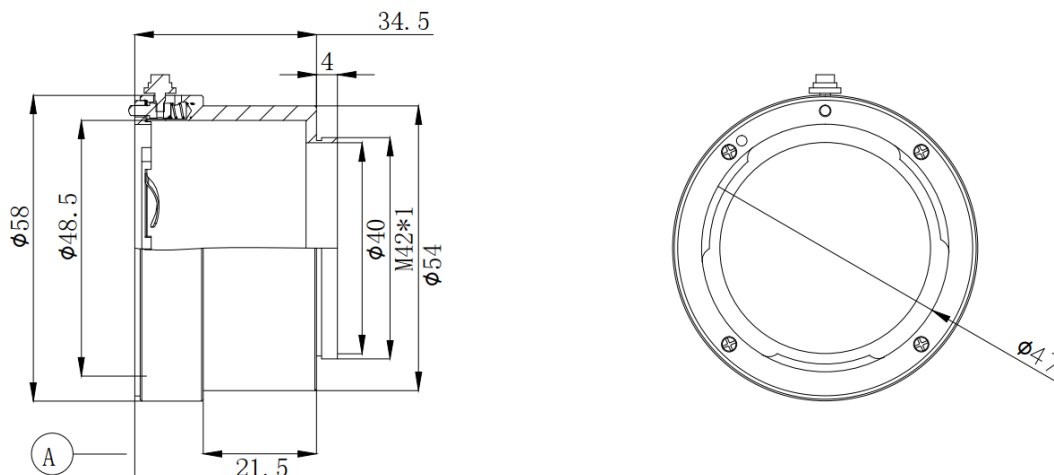
Specification

| Model | Adapter Ring M42×1.0-F T34.5 |
|----------------------|-------------------------------------|
| Parameter | |
| Mechanical | |
| Camera mount | M42 × 1.0, flange back length 12 mm |
| Lens mount | F-mount, flange back length 46.5 mm |
| Thickness | 34.5 mm |
| General | |
| Certification | RoHS 2.0 |

Key Feature

- Supports lens mount conversion with flexible compatibility.

Dimension



Unit: mm