

37U Series DMM 37UR0521- ML

- AR0521 CMOS Sensor
- 5 MP
- USB3 Vision / UVC compliant
- Trigger and I/Os
- M12x0.5 mount

The 37U series camera DMM 37UR0521-ML with a onsemi AR0521 sensor delivers 60 frames per second with a resolution of 2592x1944 (5 MP).

The Imaging Source's 37 Series board-level cameras feature a range of Sony and onsemi sensors with resolutions up to 12MP, as well as trigger, I/O, and connector options, providing maximum flexibility for developers and OEMs. The cameras' small footprint and reversible USB-C connector make them well-suited for space-constrained designs for applications in industrial automation, mobile robotics, and medical equipment.

The USB3 Vision standard allows for rapid integration into new and existing applications via The Imaging Source's [IC Imaging Control 4 SDK](#) as well as most other third-party image processing libraries.

Note: This Data Sheet is intended to provide a summary overview for an individual camera model.

The Imaging Source's website also offers information on spectral sensitivity, dimensional diagrams, sensor data sheets, STEP files as well as our full product catalog. For comprehensive technical information, please refer to the Technical Reference Manual specific to each camera model.

www.theimagingsource.com



1 Quick Facts

General	
Vision Standard	USB3 Vision (UVC compliant)
Dynamic Range	12 bit
Resolution	2592x1944
Frame Rate at Full Resolution	60

Optical Interface	
IR-Cut filter	No
Sensor Type	onsemi AR0521
Shutter Type	Rolling
Sensor Format	1/2.5 inch
Pixel Size	2.2 μm
Lens Mount	M12x0.5

Electrical Interface	
Interface	USB 3.1gen1
Supply Voltage	4.75 VDC to 5.25 VDC
Current Consumption	approx 310 mA @ 5 VDC

Mechanical Data	
Dimensions	H: 30 mm, W: 30 mm, L: 15 mm
Mass	7 g

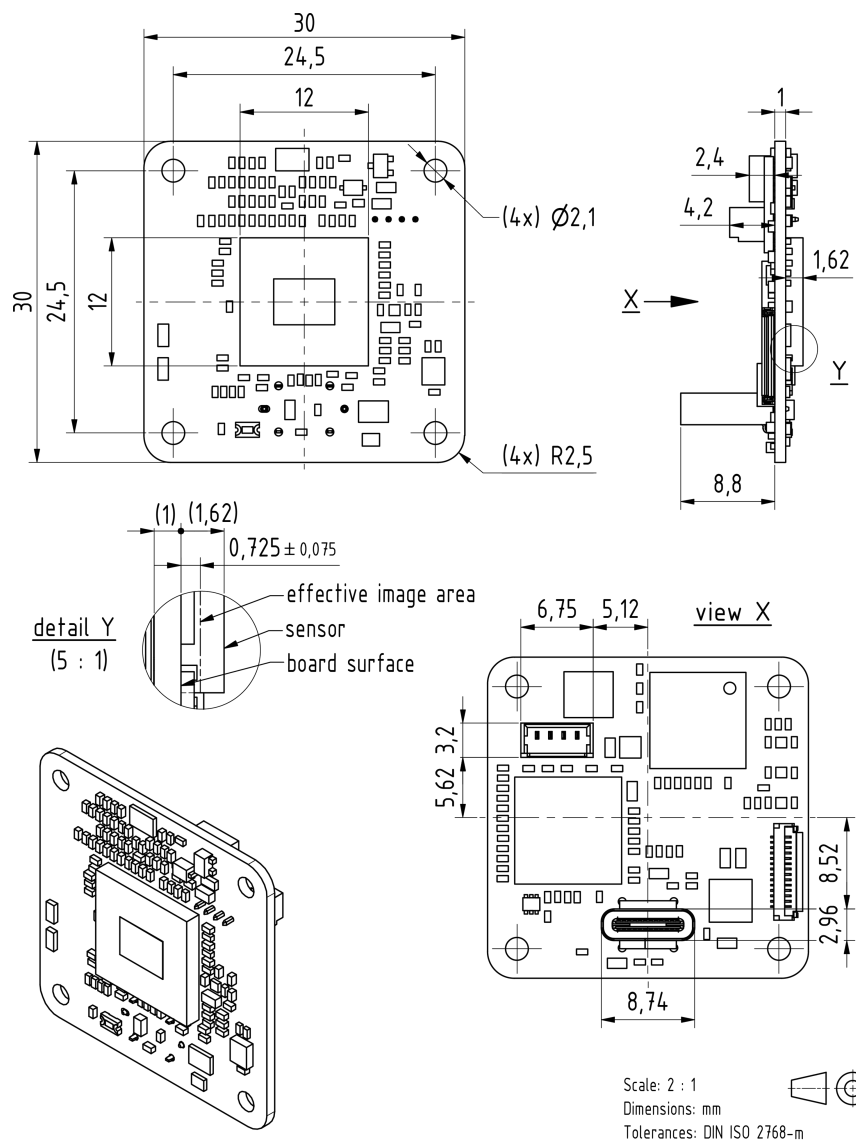
Environmental Conditions	
Temperature (operating)	-5 °C to 45 °C
Temperature (storage)	-20 °C to 60 °C
Humidity (operating)	20 % to 80 % (non-condensing)
Humidity (storage)	20 % to 95 % (non-condensing)



Dimensional Diagrams

2 Dimensional Diagrams

2.1 DMM 37UR0521-ML





3 Spectral Characteristics

3.1 Spectral Sensitivity - AR0521

