

37U Series

DMK 37BUX252

- IMX252 CMOS Pregius Sensor
- 3.1 MP
- USB3 Vision / UVC compliant
- Trigger and I/Os
- C/CS mount



The 37U series camera DMK 37BUX252 with a Sony IMX252 sensor delivers 119 frames per second with a resolution of 2048x1536 (3.1 MP).

32U Series: Building on the foundation of our popular One4All cameras, these next-generation USB 2.0 industrial cameras offer modern camera architecture while preserving the simplicity and affordability of the legacy One4All series.

The USB3 Vision standard allows for rapid integration into new and existing applications via The Imaging Source's [IC Imaging Control 4 SDK](#) as well as most other third-party image processing libraries.

Note: This Data Sheet is intended to provide a summary overview for an individual camera model. The Imaging Source's website also offers information on spectral sensitivity, dimensional diagrams, sensor data sheets, STEP files as well as our full product catalog. For comprehensive technical information, please refer to the Technical Reference Manual specific to each camera model.

www.theimagingsource.com



1 Quick Facts

General	
Vision Standard	USB3 Vision (UVC compliant)
Dynamic Range	12 bit
Resolution	2048x1536
Frame Rate at Full Resolution	119

Optical Interface	
IR-Cut filter	No
Sensor Type	Sony IMX252LLR-C
Shutter Type	Global
Sensor Format	1/1.8 inch
Pixel Size	3.45 μm
Lens Mount	C/CS

Electrical Interface	
Interface	USB 3.1gen1
Supply Voltage	4.75 VDC to 5.25 VDC
Current Consumption	approx 420 mA @ 5 VDC
I/O Connector	4-pin connector for trigger and strobe or general purpose input/output

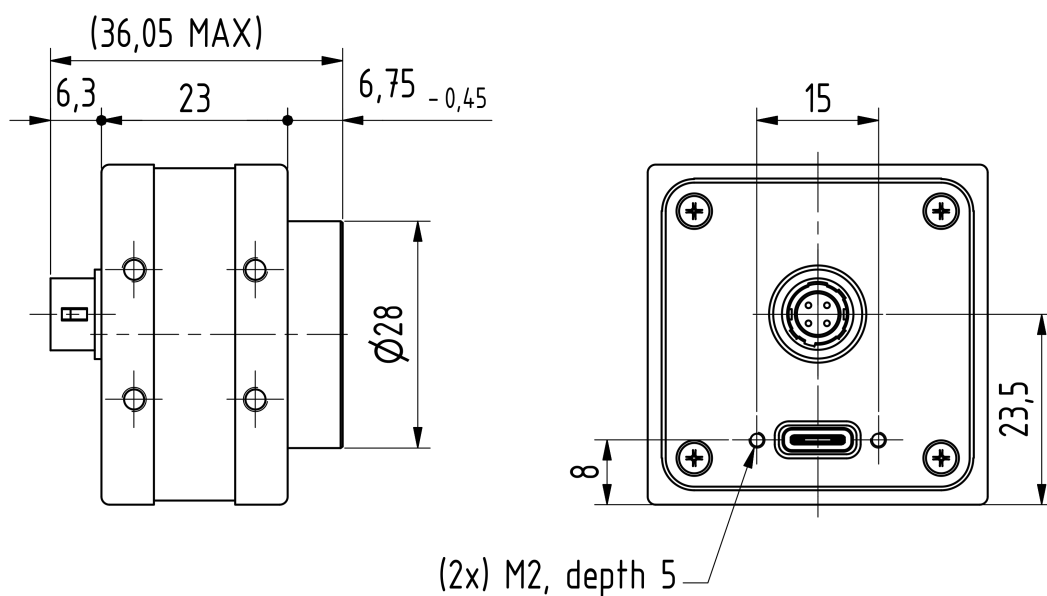
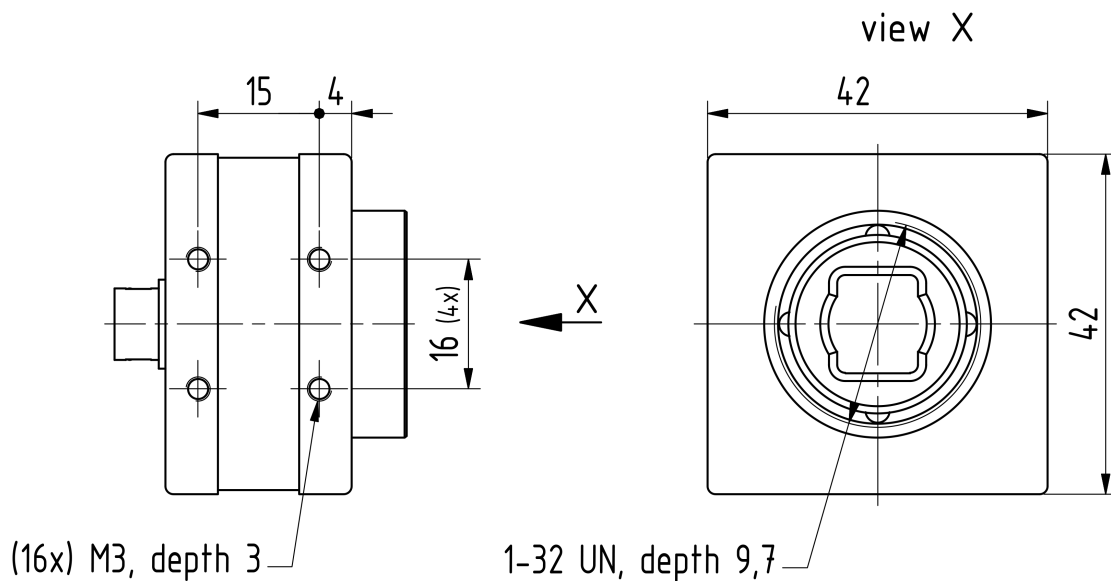
Mechanical Data	
Dimensions	H: 42 mm, W: 42 mm, L: 25 mm
Mass	76 g

Environmental Conditions	
Housing Temperature (operating)	-5 °C to 50 °C
Temperature (storage)	-20 °C to 80 °C
Humidity (operating)	20 % to 80 % (non-condensing)
Humidity (storage)	20 % to 95 % (non-condensing)



2 Dimensional Diagrams

2.1 DMK 37BUX252 C-Mount without Tripod Adapter



Dimensions: mm
Tolerances: DIN ISO 2768-f





3 Spectral Characteristics

3.1 Spectral Sensitivity - IMX252LLR-C

Sensor: Sony IMX250/252/264/265 - courtesy of Sony Deutschland GmbH

