



## 33U Series

### DMK 33UX249

- IMX249 CMOS Pregius Sensor
- 2.3 MP
- USB3 Vision / UVC compliant
- Trigger and I/Os
- C/CS mount



The 33U series camera DMK 33UX249 with a Sony IMX249 sensor delivers 48 frames per second with a resolution of 1920x1200 (2.3 MP).

33U Series: The Imaging Source's largest selection of industrial cameras offers developers and integrators a broad selection of resolutions (up to 20 MP) and frame rates to meet diverse application needs and are ideal for continuous operation in industrial environments. The cameras' USB 3 interface (Micro-B connector) ensures efficient data transfer with high frame rates.

The USB3 Vision standard allows for rapid integration into new and existing applications via The Imaging Source's [IC Imaging Control 4 SDK](#) as well as most other third-party image processing libraries.

Note: This Data Sheet is intended to provide a summary overview for an individual camera model. The Imaging Source's website also offers information on spectral sensitivity, dimensional diagrams, sensor data sheets, STEP files as well as our full product catalog. For comprehensive technical information, please refer to the Technical Reference Manual specific to each camera model.

[www.theimagingsource.com](http://www.theimagingsource.com)



## 1 Quick Facts

General	
Vision Standard	USB3 Vision (UVC compliant)
Dynamic Range	12 bit
Resolution	1920x1200
Frame Rate at Full Resolution	48

Optical Interface	
IR-Cut filter	No
Sensor Type	Sony IMX249LLJ-C
Shutter Type	Global
Sensor Format	1/1.2 inch
Pixel Size	5.86 $\mu\text{m}$
Lens Mount	C/CS

Electrical Interface	
Interface	USB 3.0
Supply Voltage	4.75 VDC to 5.25 VDC
Current Consumption	approx 590 mA @ 5 VDC
I/O Connector	12-pin connector for trigger and strobe or general purpose input/output

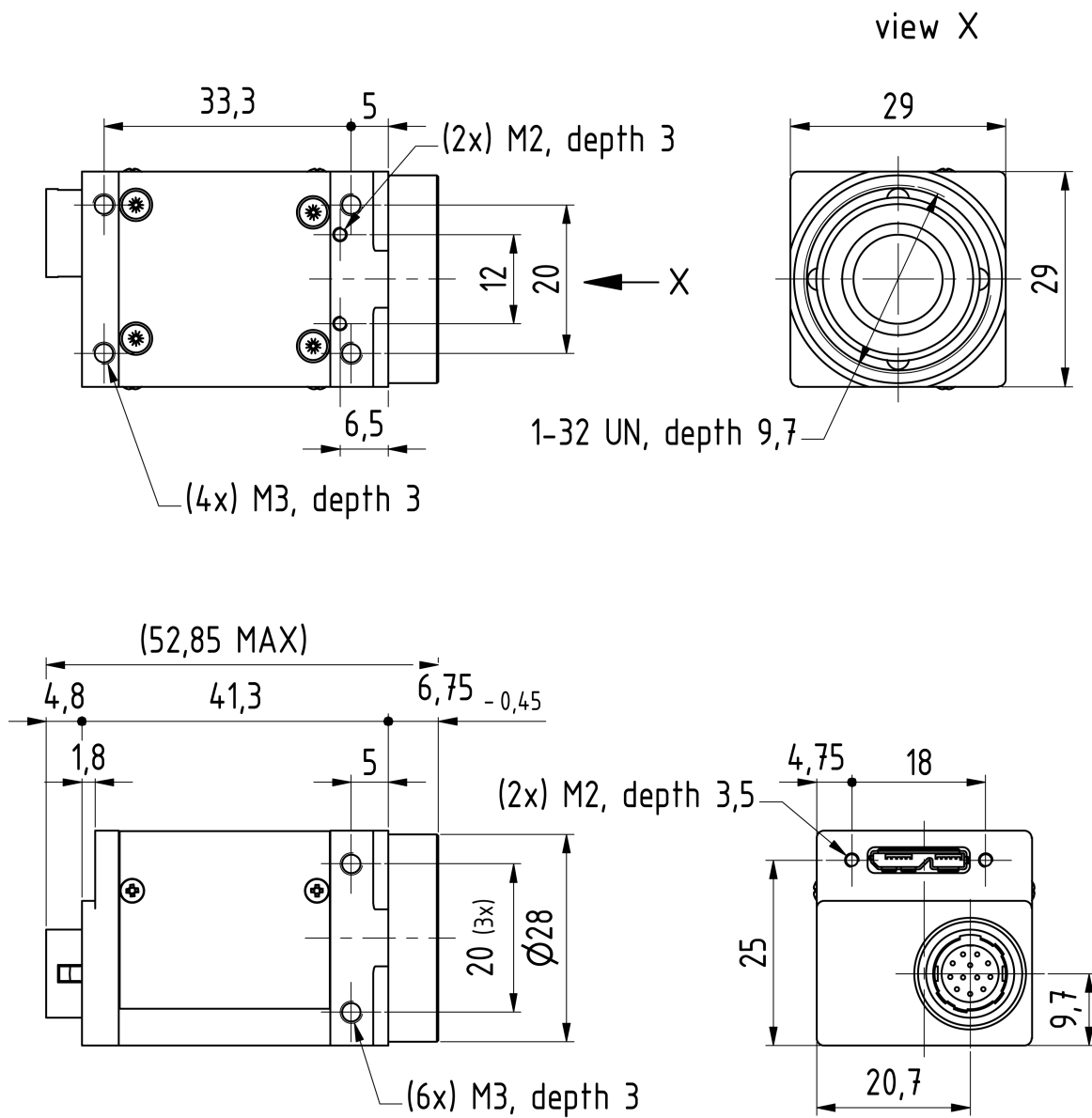
Mechanical Data	
Dimensions	H: 29 mm, W: 29 mm, L: 43 mm
Mass	65 g

Environmental Conditions	
Housing Temperature (operating)	-5 °C to 50 °C
Temperature (storage)	-20 °C to 80 °C
Humidity (operating)	20 % to 80 % (non-condensing)
Humidity (storage)	20 % to 95 % (non-condensing)

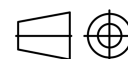


## 2 Dimensional Diagrams

### 2.1 DMK 33UX249 C-Mount without Tripod Adapter



Dimensions: mm  
Tolerances: DIN ISO 2768-f





## 3 Spectral Characteristics

### 3.1 Spectral Sensitivity - IMX249LLJ-C

Sensor: Sony IMX174/249 - courtesy of Sony Deutschland GmbH

