



47G Series DFM 47GR2020

- AR2020 CMOS Sensor
- 19.7 MP
- GigE Vision compliant
- Trigger and I/Os
- C mount



The 47G series camera DFM 47GR2020 with a OnSemi AR2020 sensor delivers 6 frames per second with a resolution of 5120x3840 (19.7 MP).

47G Series: The Imaging Source's GigE board-level cameras feature a single-board design with an angled RJ45 connector, delivering an especially compact form factor, measuring just 36 x 36 x 18 mm. With robust data transmission and support for cable lengths up to 100 meters, the GigE board-level cameras ensure stable connectivity and flexible positioning in diverse environments. The cameras' modular design includes optional Power over Ethernet (PoE), as well as optional C mount, or M12 mount, enabling easy customization to meet various installation requirements and application needs.

The GigE Vision standard allows for rapid integration into new and existing applications via The Imaging Source's [IC Imaging Control 4 SDK](#) as well as most other third-party image processing libraries.

Note: This Data Sheet is intended to provide a summary overview for an individual camera model. The Imaging Source's website also offers information on spectral sensitivity, dimensional diagrams, sensor data sheets, STEP files as well as our full product catalog. For comprehensive technical information, please refer to the Technical Reference Manual specific to each camera model.

www.theimagingsource.com



1 Quick Facts

General	
Vision Standard	GigE Vision
Dynamic Range	10 bit
Resolution	5120x3840
Frame Rate at Full Resolution	6

Optical Interface	
IR-Cut filter	Yes
Sensor Type	OnSemi AR2020
Shutter Type	Rolling
Sensor Format	1/1.8 inch
Pixel Size	1.4 μm
Lens Mount	C

Electrical Interface	
Interface	GigE
Supply Voltage	4.75 VDC to 25 VDC
Current Consumption	approx 150 mA @ 12 VDC

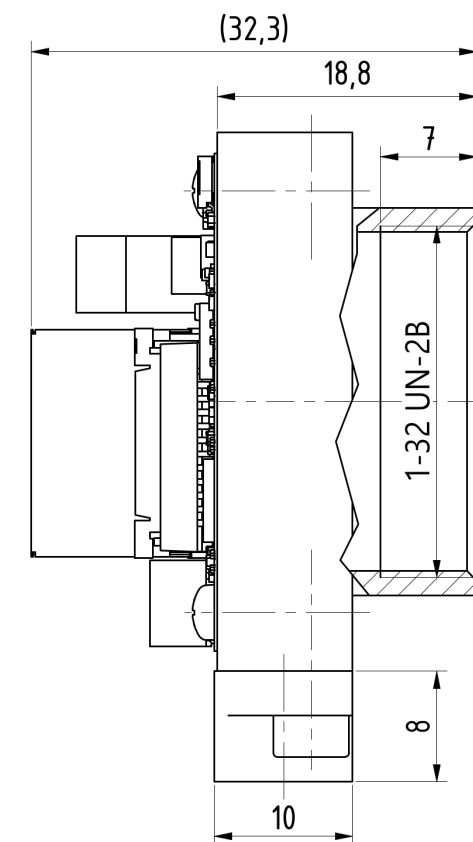
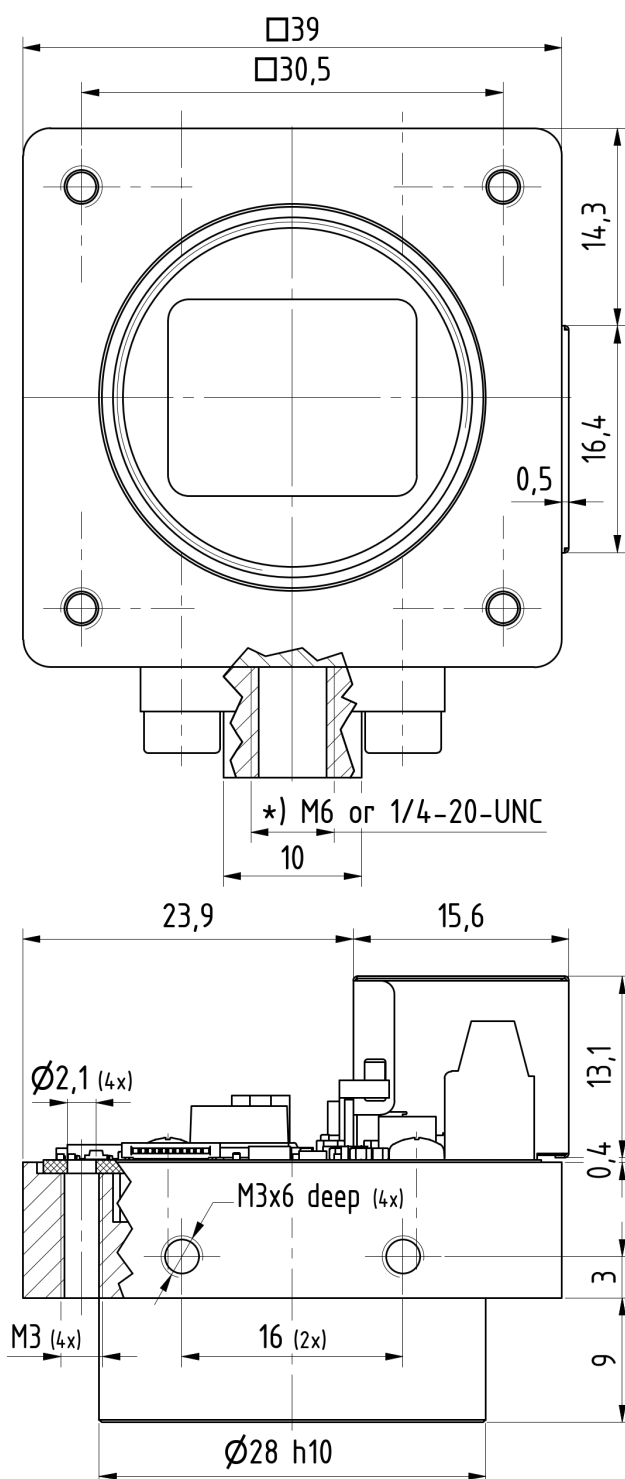
Mechanical Data	
Dimensions	H: 39 mm, W: 40 mm, L: 33 mm
Mass	38 g

Environmental Conditions	
Board Temperature (operating)	0 °C to 70 °C
Temperature (storage)	-20 °C to 80 °C
Humidity (operating)	20 % to 80 % (non-condensing)
Humidity (storage)	20 % to 95 % (non-condensing)

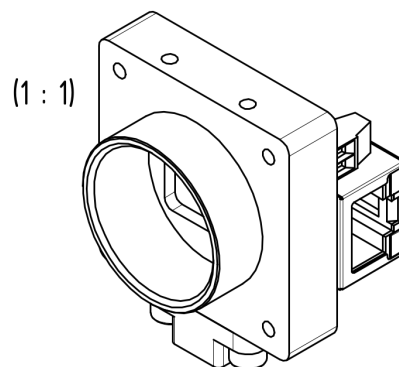


2 Dimensional Diagrams

2.1 DFM 47GR2020 C-Mount Board Camera



*) There are two different tripod-adaptor versions. Please select the desired thread type.



(1 : 1)

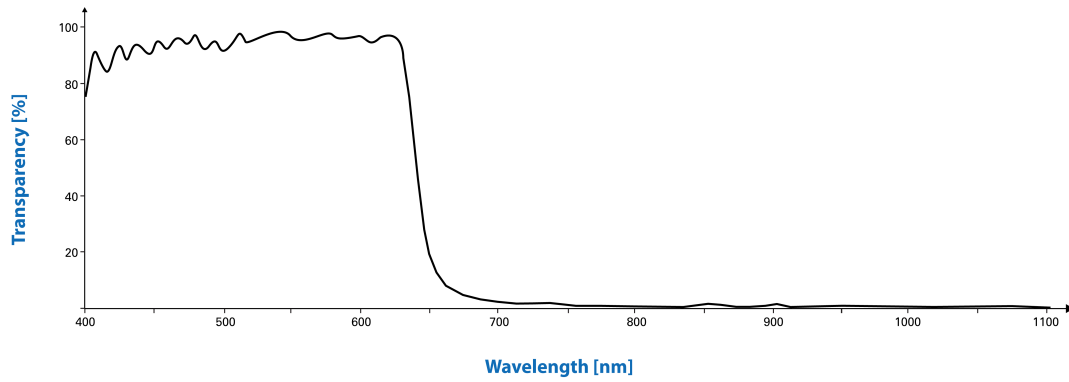
Scale: 2 : 1
 Dimensions: mm
 Tolerances: DIN ISO 2768-f
 308-24-05-00-00





3 Spectral Characteristics

3.1 IR-Cut Filter



3.2 Spectral Sensitivity - AR2020

Sensor: onsemi AR2020 *courtesy of onsemi*

