

Extension Ring C-C T10

C-Mount Extension Ring, Thickness of 10 mm

An extension ring serves as a converter among different lens mounts. It can be used with machine vision cameras and lenses.



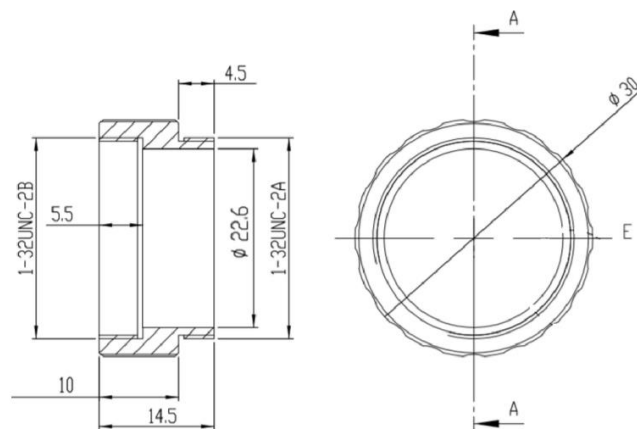
Specification

Model	Extension Ring C-C T10
Parameter	
Mechanical	
Camera mount	C-mount
Lens mount	C-mount
Thickness	10 mm
General	
Certification	RoHS 2.0

Key Feature

- Supports lens mount conversion with flexible compatibility.

Dimension



Unit: mm